

63445-1 ✓ ACTIVE

FASTON | FASTON 250

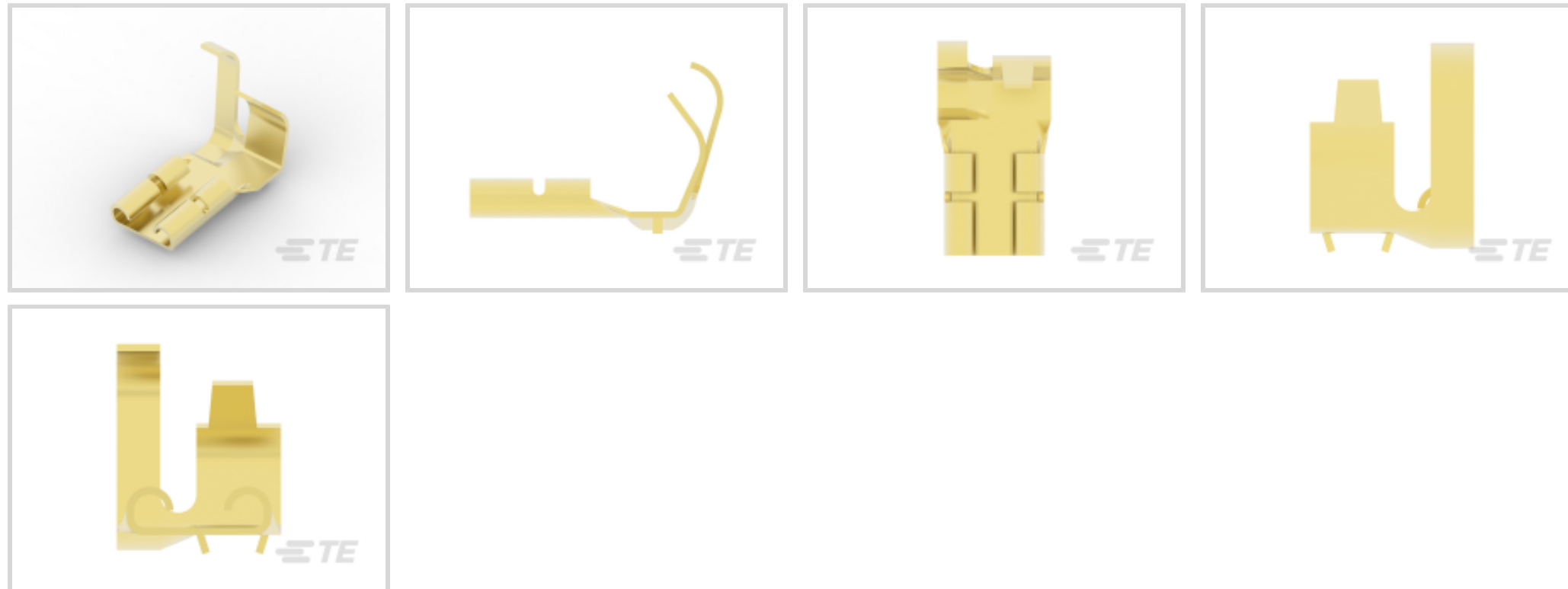
TE Internal #: 63445-1

Quick Disconnects, Receptacle, 18 – 12 AWG Wire Size, .82 – 3.31 mm<sup>2</sup> Wire Size, Mating Tab Width 6.35 mm [.25 in], Flag, Brass, FASTON 250

[View on TE.com >](#)



Terminals & Splices > Quick Disconnects



Quick Disconnect Terminal Type: **Receptacle**

Wire Size: **.82 – 3.31 mm<sup>2</sup>**

Mating Tab Width: **6.35 mm [.25 in]**

Mating Tab Thickness: **.81 mm [.032 in]**

## Features

### Product Type Features

Insertion Force	Low
-----------------	-----

### Configuration Features

Connection Capacity	Single
---------------------	--------

Compatible With Wire & Cable Type	Discrete Wire
-----------------------------------	---------------

### Contact Features

Quick Disconnect Terminal Type	Receptacle
--------------------------------	------------

Mating Tab Width	6.35 mm [.25 in]
------------------	------------------

Mating Tab Thickness	.81 mm [.032 in]
----------------------	------------------

Terminal Orientation	Flag
----------------------	------

Contact Base Material	Brass
-----------------------	-------

Terminal Plating Material	Unplated
---------------------------	----------

Crimp Type	Tab-Lok
------------	---------

Barrel Type	Open
-------------	------

### Termination Features



Product Terminates To	Wire & Cable
-----------------------	--------------

### Mechanical Attachment

Wire Insulation Support	With
Mating Retention Type	Dimple

### Dimensions

Terminal Material Thickness	.41 mm[.016 in]
Product Length	17.02 mm[.67 in]
Compatible Insulation Diameter Range	2.79 – 5.33 mm[.11 – .21 in]
Wire Size	.82 – 3.31 mm <sup>2</sup>

### Usage Conditions

Insulation Option	Uninsulated
Operating Temperature Range	-40 – 110 °C[-40 – 230 °F]

### Industry Standards

Agency/Standard	CSA, UL
-----------------	---------

### Packaging Features

Packaging Quantity	4000
Packaging Method	Strip/Reel

### Other

Line	Premier
------	---------

## Product Compliance

[For compliance documentation, visit the product page on TE.com>](#)

EU RoHS Directive 2011/65/EU	Compliant
EU ELV Directive 2000/53/EC	Compliant
China RoHS 2 Directive MIIT Order No 32, 2016	No Restricted Materials Above Threshold
EU REACH Regulation (EC) No. 1907/2006	Current ECHA Candidate List: JUNE 2023 (235) Candidate List Declared Against: JUNE 2022 (224) Does not contain REACH SVHC
Halogen Content	Low Halogen - Br, Cl, F, I < 900 ppm per homogenous material. Also BFR/CFR/PVC Free
Solder Process Capability	Not applicable for solder process capability

## Product Compliance Disclaimer

This information is provided based on reasonable inquiry of our suppliers and represents our current actual knowledge based on the information they provided. This information is subject to change. The part numbers that TE has identified as EU RoHS compliant have a maximum concentration of 0.1% by weight in homogenous materials for lead, hexavalent chromium, mercury, PBB, PBDE, DBP, BBP, DEHP, DIBP, and 0.01% for cadmium, or qualify for an exemption to these limits as defined in the Annexes of Directive 2011/65/EU (RoHS2). Finished electrical and electronic equipment products will be CE marked as required by Directive 2011/65/EU. Components may not be CE marked. Additionally, the part numbers that TE has identified as EU ELV compliant have a maximum concentration of 0.1% by weight in homogenous materials for lead, hexavalent chromium, and mercury, and 0.01% for cadmium, or qualify for an exemption to these limits as defined in the Annexes of Directive 2000/53/EC (ELV). Regarding the REACH Regulation, the information TE provides on SVHC in articles for this part number is based on the latest European Chemicals Agency (ECHA) 'Guidance on requirements for substances in articles' posted at this URL: <https://echa.europa.eu/guidance-documents/guidance-on-reach>

## Compatible Parts



TE Part # 521663-1  
250 FASTON HSG. FLAG REC 5.6  
MM2P NATURAL



TE Part # 1855041-1  
HINDGE BAR F.A. EMPO160TAB1800  
LM & G



TE Part # 521661-1  
250 FASTON HSG. FLAG REC. 4P  
BLACK



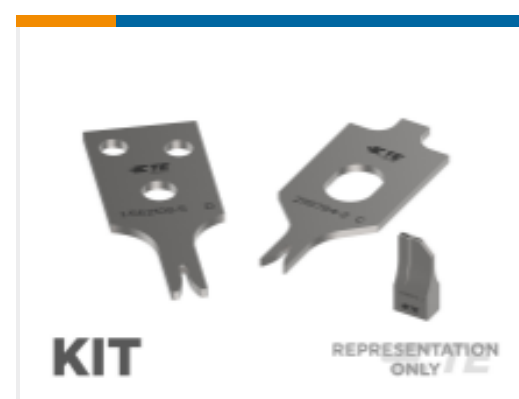
TE Part # 687395-5  
M HBEAPR160T K



TE Part # 687395-6  
HDM HBEAPR160T1800TSA



TE Part # 687395-8  
HINGE BAR 9EAPR160T1800 G



TE Part # 7-1855041-7  
SPARE PART KIT



TE Part # 1596696-2  
HB APPL,AOL



TE Part # 1596697-5  
HB APPL,AOM



TE Part # 2088156-2  
MINI APPLICATOR, HINGE BAR END  
FEED



TE Part # 565504-1  
STD HBEMPR160T1800K



TE Part # 565504-3  
STD HBEMPR160T2200K

Also in the Series | **FASTON 250**



Compression Connectors(4)



Crimp Terminal Housings(142)



Insertion & Extraction Tools(6)



Magnet Wire Terminals(1)



PCB Terminals(135)

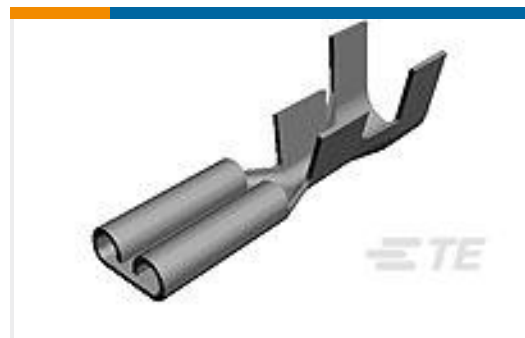


Quick Disconnects(445)



Splices(4)

## Customers Also Bought



TE Part #42219-1  
250 FASTON REC 18-14 AWG NPST



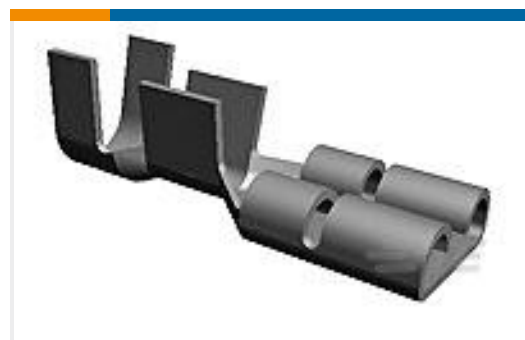
TE Part #42742-1  
250 FASTON FLAG REC 18-12 AWG BR



TE Part #2-520263-2  
ULTRA-FAST 250 ASY REC 22-18 TPBR



TE Part #42742-2  
250 FASTON FLAG REC 18-12 AWG TPBR



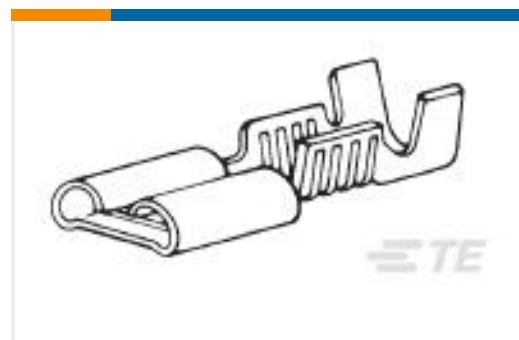
TE Part #63306-1  
250 FASTON REC 18-14 AWG BR



TE Part #722022-000  
RT-3-NO.1-0-COIL



TE Part #1-480708-0  
12P UMNL PLUG HSG NATL



TE Part #42710-1  
205 FASTON REC 22-18 AWG BR



TE Part #1740533-5  
AMP DUOPLUG POW CONN. 5POS W.PCB LOCKING



TE Part #6-2293382-2  
AMP MONO-SHAPE TAB CONN 2P. G

## Documents





### Product Drawings

#### 250 FASTON FLAG REC 18-12 AWG BR

English

---

### CAD Files

#### Customer View Model

[ENG\\_CVM\\_CVM\\_63445-1\\_AF.2d\\_dxf.zip](#)

English

#### 3D PDF

3D

#### Customer View Model

[ENG\\_CVM\\_CVM\\_63445-1\\_AF.3d\\_igs.zip](#)

English

#### Customer View Model

[ENG\\_CVM\\_CVM\\_63445-1\\_AF.3d\\_stp.zip](#)

English

By downloading the CAD file I accept and agree to the [Terms and Conditions](#) of use.

---

### Datasheets & Catalog Pages

#### 82004 FASTON Terminals (Insulated and Uninsulated) Catalog - FASTON Receptacles Section

English

---

### Product Specifications

#### Application Specification

English

---

### Product Environmental Compliance

[MD\\_63445-1\\_022620162357\\_dmtec](#)

English

[MD\\_63445-1\\_022620162357\\_dmtec](#)

English

---

### Agency Approvals

#### CSA Certificate

English

#### CSA Certificate

English