

63414-1 ✓ ACTIVE



SPLICE

TE Internal #: 63414-1

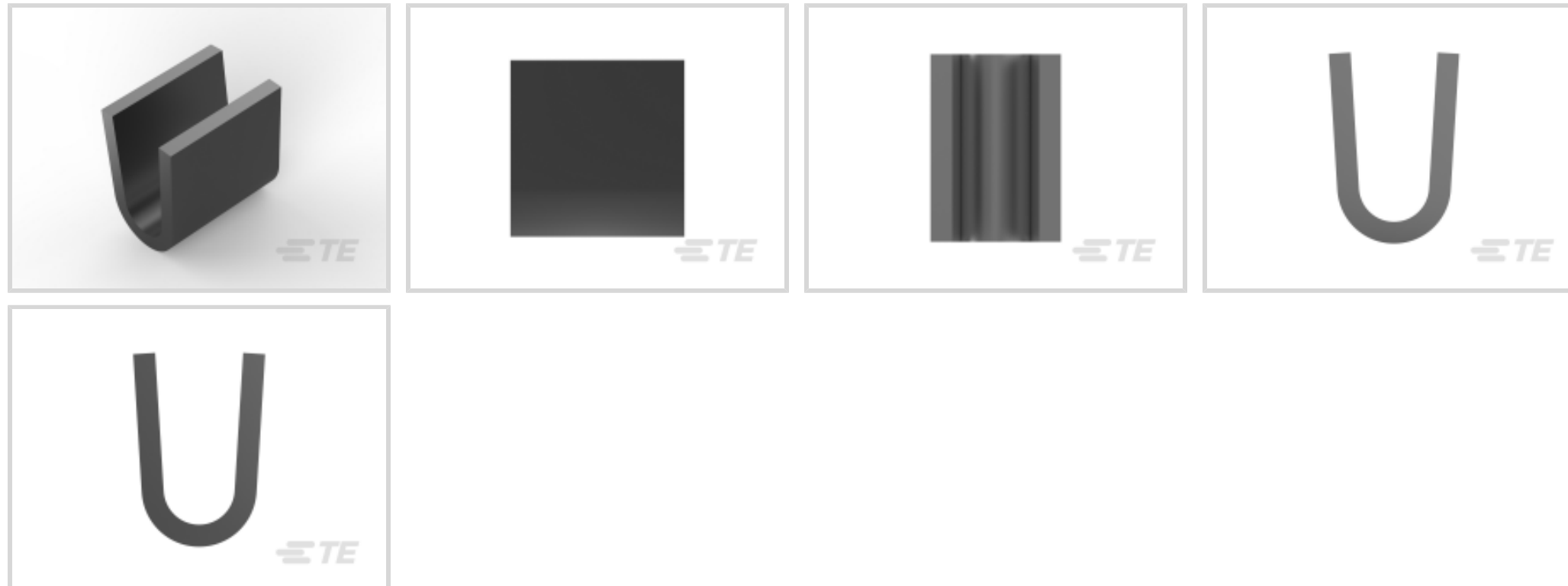
Splices, Thru Splice / Pigtail Splice, Serrated, 9000 – 16000 CMA

Wire Size, Steel, 3 Serration, Length .265 in [6.73 mm], Reel, Open,

SPLICE

[View on TE.com >](#)

Terminals & Splices > Splices



Sealable: **No**

Splice Features: **Serrated**

Wire Size: **9000 – 16000 CMA**

Contact Base Material: **Steel**

Splice Type: **Pigtail Splice, Thru Splice**

Features

Product Type Features

Sealable	No
Splice Type	Pigtail Splice, Thru Splice
Compatible With Discrete Wire Type	Solid, Stranded
Wire Insulation Support Retention Type	Non-Insulation Support

Configuration Features

Number of Serrations	3
Compatible With Wire & Cable Type	Discrete Wire

Body Features

Product Weight	.561 g
Splice Features	Serrated

Contact Features

Contact Base Material	Steel
Barrel Type	Open



Mechanical Attachment

Wire Insulation Support	Without
-------------------------	---------

Dimensions

Wire Size	9000 – 16000 CMA
Terminal Material Thickness	.78 mm[.031 in]
Product Length	6.73 mm[.265 in]

Usage Conditions

Insulation Option	Uninsulated
Operating Temperature Range	-40 – 250 °C[-40 – 482 °F]

Operation/Application

Compatible With Wire Base Material	Copper
------------------------------------	--------

Industry Standards

Government Qualified Splice	No
-----------------------------	----

Packaging Features

Packaging Quantity	3500
Packaging Method	Reel

Product Compliance

[For compliance documentation, visit the product page on TE.com>](#)

EU RoHS Directive 2011/65/EU	Compliant
EU ELV Directive 2000/53/EC	Compliant
China RoHS 2 Directive MIIT Order No 32, 2016	No Restricted Materials Above Threshold
EU REACH Regulation (EC) No. 1907/2006	Current ECHA Candidate List: JUNE 2023 (235) Candidate List Declared Against: JUNE 2023 (235) Does not contain REACH SVHC
Halogen Content	Low Halogen - Br, Cl, F, I < 900 ppm per homogenous material. Also BFR/CFR/PVC Free
Solder Process Capability	Not applicable for solder process capability

Product Compliance Disclaimer

This information is provided based on reasonable inquiry of our suppliers and represents our current actual knowledge based on the information they provided. This information is subject to change. The part numbers that TE has identified as EU RoHS compliant have a maximum concentration of 0.1% by weight in homogenous materials for lead, hexavalent

chromium, mercury, PBB, PBDE, DBP, BBP, DEHP, DIBP, and 0.01% for cadmium, or qualify for an exemption to these limits as defined in the Annexes of Directive 2011/65/EU (RoHS2). Finished electrical and electronic equipment products will be CE marked as required by Directive 2011/65/EU. Components may not be CE marked. Additionally, the part numbers that TE has identified as EU ELV compliant have a maximum concentration of 0.1% by weight in homogenous materials for lead, hexavalent chromium, and mercury, and 0.01% for cadmium, or qualify for an exemption to these limits as defined in the Annexes of Directive 2000/53/EC (ELV). Regarding the REACH Regulation, the information TE provides on SVHC in articles for this part number is based on the latest European Chemicals Agency (ECHA) 'Guidance on requirements for substances in articles' posted at this URL: <https://echa.europa.eu/guidance-documents/guidance-on-reach>

Compatible Parts



TE Part # 61299-1
SPLICE 7000-12500 .031 TPST



TE Part # 61299-3
SPLICE 7000-12500 .031 BR



TE Part # 61492-1
SPLICE 2048-5250 .020 BR



TE Part # 61299-2
SPLICE 7000-12500 .032 TPBR



TE Part # 60932-2
SPLICE 2500-4700 .020 TPST



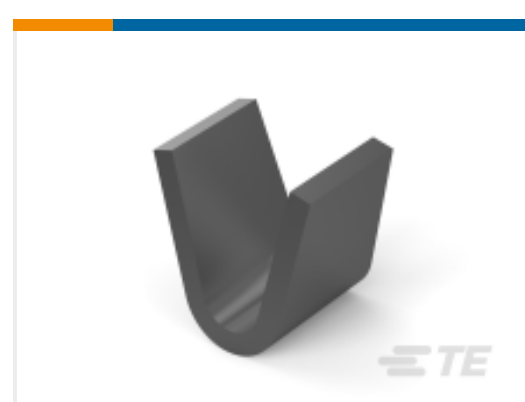
TE Part # 61300-1
SPLICE IS 10000-16000 .031 TPST



TE Part # 60933-2
SPLICE 2200-2900 .012 TPST



TE Part # 60470-1
SPLICE 3300-9000 .020 ST BLK



TE Part # 61008-1
SPLICE 18-16 AWG .0158 TPST

Also in the Series | SPLICE

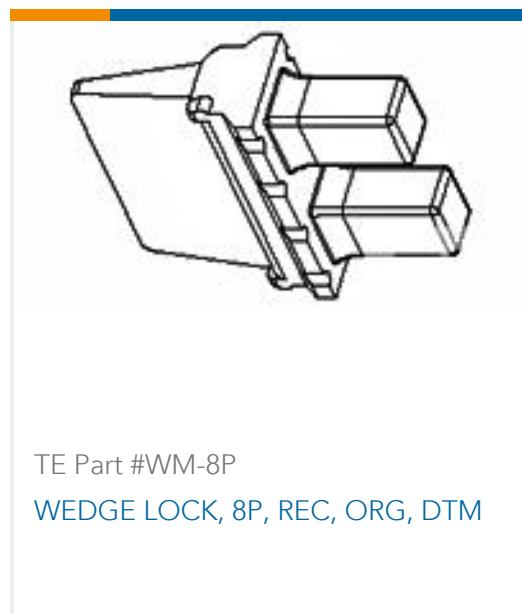


Crimp Wire Pins, Tabs & Ferrules(1)



Splices(64)

Customers Also Bought



Documents

Product Drawings

[SPLICE 9000-16000 .031 TPST](#)

English

CAD Files

[3D PDF](#)

[3D](#)

[Customer View Model](#)

[ENG_CVM_CVM_63414-1_H_c-63414-1-h.2d_dxf.zip](#)

English

[Customer View Model](#)

[ENG_CVM_CVM_63414-1_H_c-63414-1-h.3d_igs.zip](#)

English

[Customer View Model](#)

[ENG_CVM_CVM_63414-1_H_c-63414-1-h.3d_stp.zip](#)

English

By downloading the CAD file I accept and agree to the [Terms and Conditions](#) of use.

63414-1

Splices, Thru Splice / Pigtail Splice, Serrated, 9000 – 16000 CMA Wire Size, Steel, 3 Serration, Length .265 in [6.73 mm], Reel, Open, SPLICE



[Product Specifications](#)

[Application Specification](#)

English