

63365-2 ✓ ACTIVE

FASTON | FASTON 250

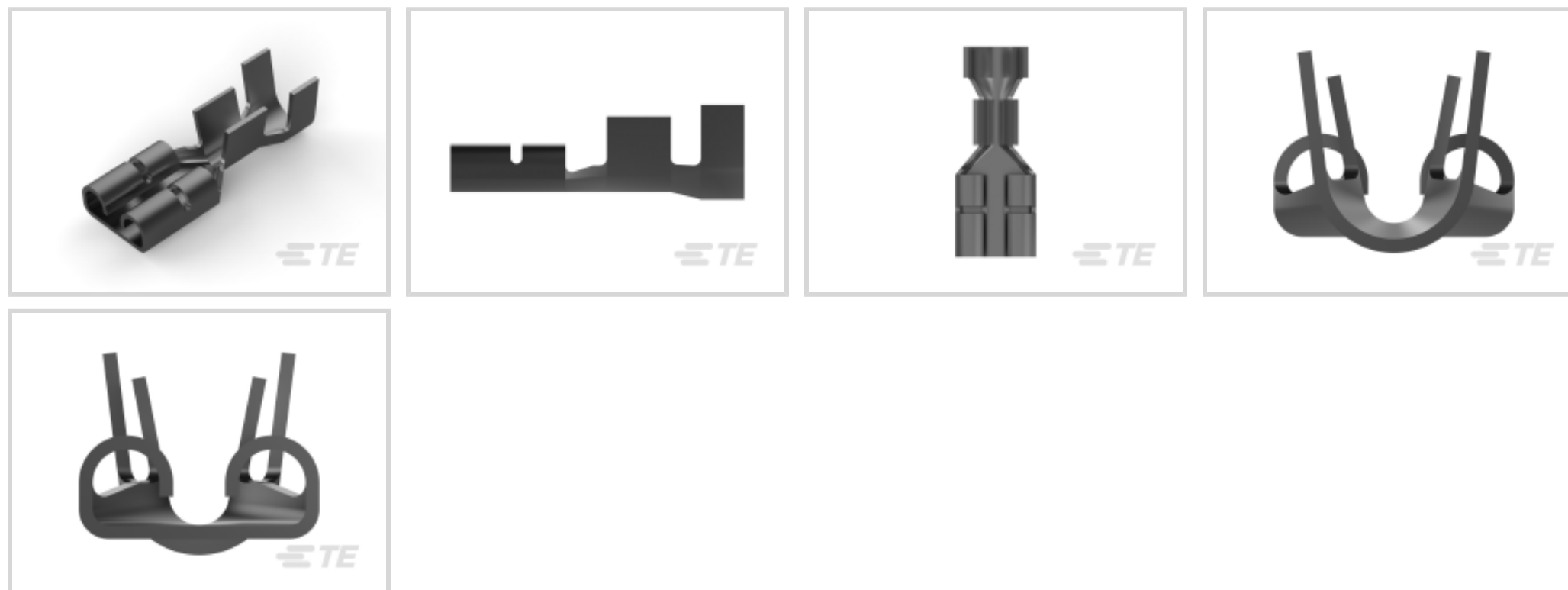
TE Internal #: 63365-2

Quick Disconnects, Receptacle, 14 – 10 AWG Wire Size, 2.08 – 5.26 mm² Wire Size, Mating Tab Width 6.35 mm [.25 in], Straight, Brass, FASTON 250

[View on TE.com >](#)



Terminals & Splices > Quick Disconnects



Quick Disconnect Terminal Type: **Receptacle**

Wire Size: **2.08 – 5.26 mm²**

Mating Tab Width: **6.35 mm [.25 in]**

Mating Tab Thickness: **.81 mm [.032 in]**

Features

Product Type Features

| | |
|-----------------|-----|
| Insertion Force | Low |
|-----------------|-----|

Configuration Features

| | |
|---------------------|--------|
| Connection Capacity | Single |
|---------------------|--------|

| | |
|-----------------------------------|---------------|
| Compatible With Wire & Cable Type | Discrete Wire |
|-----------------------------------|---------------|

Contact Features

| | |
|--------------------------------|------------|
| Quick Disconnect Terminal Type | Receptacle |
|--------------------------------|------------|

| | |
|------------------|------------------|
| Mating Tab Width | 6.35 mm [.25 in] |
|------------------|------------------|

| | |
|----------------------|------------------|
| Mating Tab Thickness | .81 mm [.032 in] |
|----------------------|------------------|

| | |
|----------------------|----------|
| Terminal Orientation | Straight |
|----------------------|----------|

| | |
|-----------------------|-------|
| Contact Base Material | Brass |
|-----------------------|-------|

| | |
|---------------------------|-----|
| Terminal Plating Material | Tin |
|---------------------------|-----|

| | |
|------------|---------|
| Crimp Type | F-Crimp |
|------------|---------|

| | |
|-------------|------|
| Barrel Type | Open |
|-------------|------|

Termination Features



| | |
|-----------------------|--------------|
| Product Terminates To | Wire & Cable |
|-----------------------|--------------|

Mechanical Attachment

| | |
|-------------------------|--------|
| Wire Insulation Support | With |
| Mating Retention Type | Dimple |

Dimensions

| | |
|--------------------------------------|-----------------------------|
| Terminal Material Thickness | .46 mm[.018 in] |
| Product Length | 19.69 mm[.775 in] |
| Compatible Insulation Diameter Range | 3.81 – 5.08 mm[.15 – .2 in] |
| Wire Size | 2.08 – 5.26 mm ² |

Usage Conditions

| | |
|-----------------------------|----------------------------|
| Insulation Option | Uninsulated |
| Operating Temperature Range | -40 – 110 °C[-40 – 230 °F] |

Industry Standards

| | |
|-----------------|---------|
| Agency/Standard | CSA, UL |
|-----------------|---------|

Packaging Features

| | |
|--------------------|------------|
| Packaging Quantity | 9000 |
| Packaging Method | Strip/Reel |

Other

| | |
|------|--------|
| Line | Budget |
|------|--------|

Product Compliance




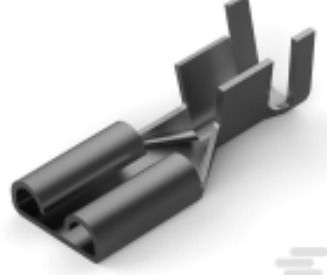
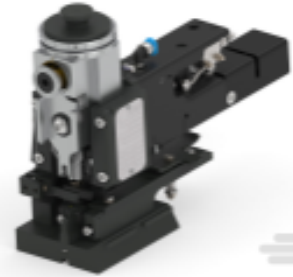

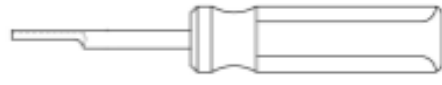
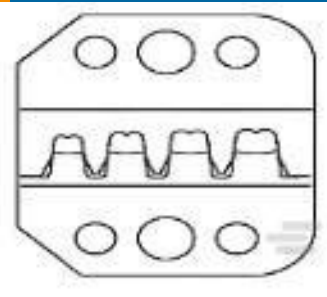




[For compliance documentation, visit the product page on TE.com>](#)

| | |
|---|---|
| EU RoHS Directive 2011/65/EU | Compliant |
| EU ELV Directive 2000/53/EC | Compliant |
| China RoHS 2 Directive MIIT Order No 32, 2016 | No Restricted Materials Above Threshold |
| EU REACH Regulation (EC) No. 1907/2006 | Current ECHA Candidate List: JUNE 2023 (235) Candidate List Declared Against: JUNE 2023 (235) Does not contain REACH SVHC |
| Halogen Content | Low Halogen - Br, Cl, F, I < 900 ppm per homogenous material. Also BFR/CFR/PVC Free |
| Solder Process Capability | Not applicable for solder process capability |

Product Compliance Disclaimer

This information is provided based on reasonable inquiry of our suppliers and represents our current actual knowledge based on the information they provided. This information is subject to change. The part numbers that TE has identified as EU RoHS compliant have a maximum concentration of 0.1% by weight in homogenous materials for lead, hexavalent chromium, mercury, PBB, PBDE, DBP, BBP, DEHP, DIBP, and 0.01% for cadmium, or qualify for an exemption to these limits as defined in the Annexes of Directive 2011/65/EU (RoHS2). Finished electrical and electronic equipment products will be CE marked as required by Directive 2011/65/EU. Components may not be CE marked. Additionally, the part numbers that TE has identified as EU ELV compliant have a maximum concentration of 0.1% by weight in homogenous materials for lead, hexavalent chromium, and mercury, and 0.01% for cadmium, or qualify for an exemption to these limits as defined in the Annexes of Directive 2000/53/EC (ELV). Regarding the REACH Regulation, the information TE provides on SVHC in articles for this part number is based on the latest European Chemicals Agency (ECHA) 'Guidance on requirements for substances in articles' posted at this URL: <https://echa.europa.eu/guidance-documents/guidance-on-reach>

Compatible Parts

| | | | |
|--|--|--|---|
|  <p>TE Part # 314917-1 EXT TL 250 U-POD STR IS9726</p> |  <p>TE Part # 58525-1 PROCRIMPER TOOL & DIE</p> |  <p>TE Part # 7-2150237-7 OCEAN_2.0_SPARE_PART_KIT-130F2100</p> |  <p>TE Part # 735211-2 250 FASTON REC 14-10 AWG TPBR</p> |
|  <p>TE Part # 2150237-1 OCEAN_2.0_APPLICATOR-E-130F2100</p> |  <p>TE Part # 2150237-2 OCEAN_2.0_APPLICATOR-E-130F2100</p> |  <p>TE Part # 314916-1 INSER TL 250 U-POD STR IS9725</p> |  <p>TE Part # 58525-2 PROCRIMPER DIE</p> |
|  <p>TE Part # 7-2150237-1 OCEAN_2.0_APPLICATOR-E-130F2100</p> |  <p>TE Part # 2-2150237-1 OCEAN_2.0_APPLICATOR-E-130F2100</p> |  <p>TE Part # 2-2150237-2 OCEAN_2.0_APPLICATOR-E-130F2100</p> |  <p>TE Part # 90120 DAHT 250 FASTON REC 14-10 ASSY</p> |

Also in the Series | **FASTON 250**



Compression Connectors(4)



Crimp Terminal Housings(142)



Insertion & Extraction Tools(6)



Magnet Wire Terminals(1)



PCB Terminals(135)



Quick Disconnects(445)

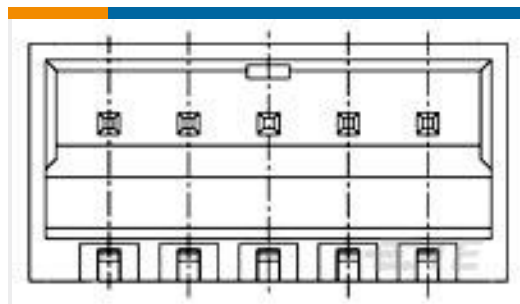


Splices(4)

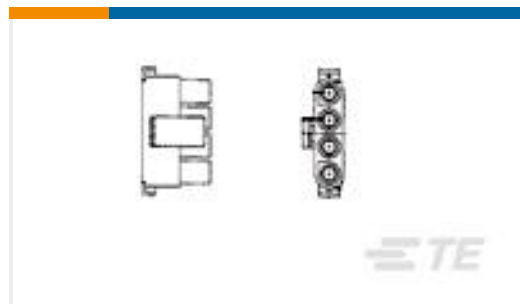
Customers Also Bought



TE Part #794115-8
08P SL156 HSG W/LR,W/O#2



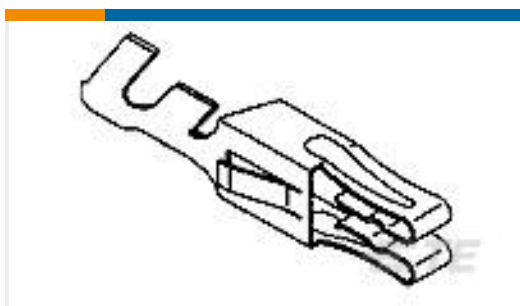
TE Part #5-1775444-5
EMIX CONN., 1.5MM PITCH, HDR, R /A, 5P



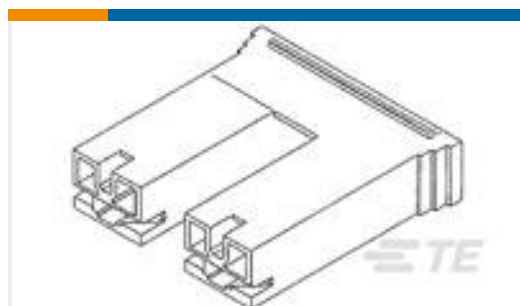
TE Part #794116-1
04P .156 MNL PLUG



TE Part #63435-1
250 FASTON REC 14-10 AWG SPBR



TE Part #5-530519-2
HIGH CURRENT CONT-STRIP



TE Part #520935-3
PL&STANDARD FASTON 250 HOUSING REC BLA



TE Part #2349180-2
DIA 4MM,TERMINAL,FAM SLD,CB



TE Part #193797-1
SKT ASSY - 2MM, 10 AWG



TE Part #1742539-3
CLUSTER BLOCK RECEPT,TPCuFeP

Documents



Product Drawings

250 FASTON REC 14-10 AWG TPBR

English

CAD Files

Customer View Model

[ENG_CVM_CVM_63365-2_AF.2d_dxf.zip](#)

English

3D PDF

3D

Customer View Model

[ENG_CVM_CVM_63365-2_AF.3d_igs.zip](#)

English

Customer View Model

[ENG_CVM_CVM_63365-2_AF.3d_stp.zip](#)

English

By downloading the CAD file I accept and agree to the [Terms and Conditions](#) of use.

Datasheets & Catalog Pages

82004 FASTON Terminals (Insulated and Uninsulated) Catalog - FASTON Receptacles Section

English

Product Specifications

Application Specification

English

Product Environmental Compliance

TE Material Declaration

English

Agency Approvals

CSA Certificate

English

CSA Certificate

English