

63300-1 ✓ ACTIVE

FASTON | FASTON 312

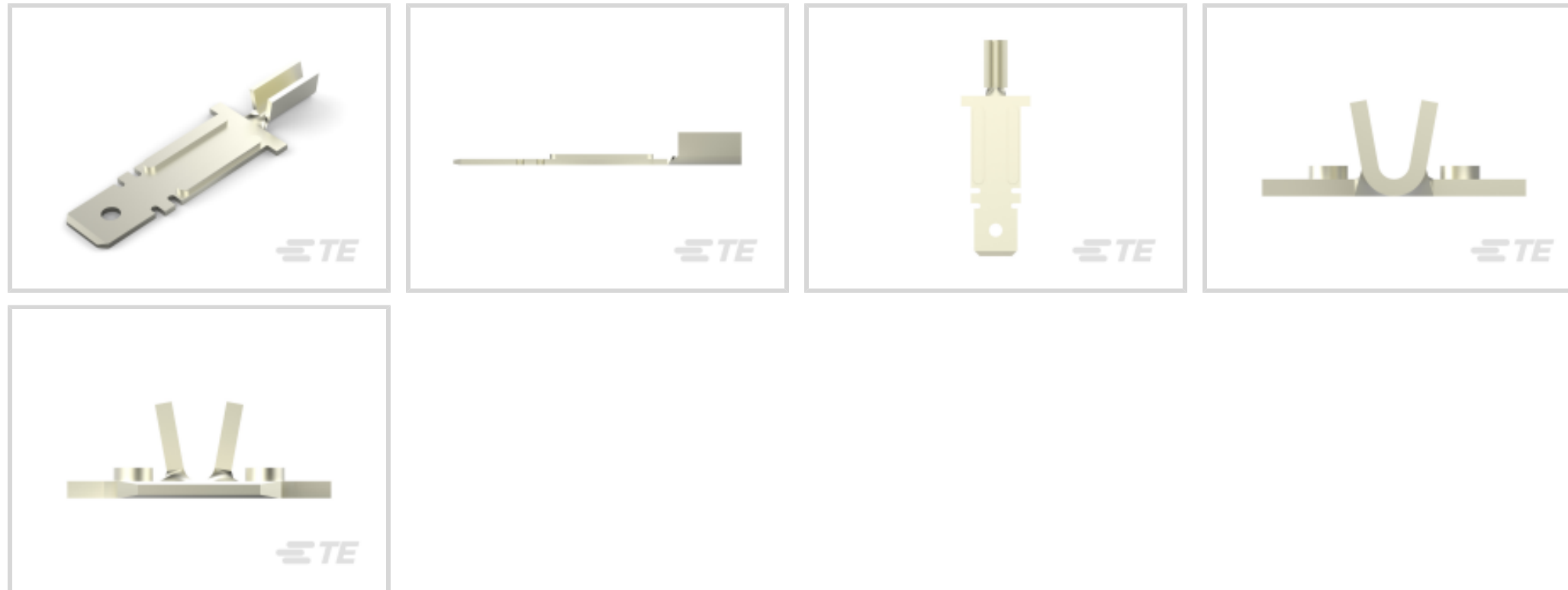
TE Internal #: 63300-1

Quick Disconnects, Tab, 22 – 15 AWG Wire Size, .32 – 1.65 mm²
Wire Size, Mating Tab Width 7.92 mm [.312 in], Straight, Steel,
FASTON 312

[View on TE.com >](#)



Terminals & Splices > Quick Disconnects



Quick Disconnect Terminal Type: **Tab**

Wire Size: .32 – 1.65 mm²

Mating Tab Width: 7.92 mm [.312 in]

Mating Tab Thickness: .81 mm [.032 in]

Features

Product Type Features

Insertion Force	Normal
-----------------	--------

Configuration Features

Connection Capacity	Single
---------------------	--------

Contact Features

Quick Disconnect Terminal Type	Tab
Mating Tab Width	7.92 mm[.312 in]
Mating Tab Thickness	.81 mm[.032 in]
Terminal Orientation	Straight
Contact Base Material	Steel
Terminal Plating Material	Nickel
Crimp Type	F-Crimp
Barrel Type	Open

Termination Features

Product Terminates To	Wire & Cable
-----------------------	--------------



Mechanical Attachment

Wire Insulation Support	Without
-------------------------	---------

Mating Retention Type	Hole
-----------------------	------

Dimensions

Terminal Material Thickness	.81 mm[.032 in]
-----------------------------	-----------------

Product Length	39.88 mm[.032 in][1.57 in]
----------------	----------------------------

Wire Size	.32 – 1.65 mm ²
-----------	----------------------------

Usage Conditions

Insulation Option	Uninsulated
-------------------	-------------

Operating Temperature Range	-40 – 250 °C[-40 – 482 °F]
-----------------------------	----------------------------

Industry Standards

Agency/Standard	UL
-----------------	----

Packaging Features

Packaging Quantity	3000
--------------------	------

Packaging Method	Strip/Reel
------------------	------------

Other

Terminals & Splices Comment	Hole in Tab
-----------------------------	-------------

Product Compliance

[For compliance documentation, visit the product page on TE.com>](#)

EU RoHS Directive 2011/65/EU	Compliant
------------------------------	-----------

EU ELV Directive 2000/53/EC	Compliant
-----------------------------	-----------

China RoHS 2 Directive MIIT Order No 32, 2016	No Restricted Materials Above Threshold
-----------------------------------------------	-----------------------------------------

EU REACH Regulation (EC) No. 1907/2006	Current ECHA Candidate List: JUNE 2023 (235) Candidate List Declared Against: JUNE 2023 (235) Does not contain REACH SVHC
----------------------------------------	---------------------------------------------------------------------------------------------------------------------------------

Halogen Content	Low Halogen - Br, Cl, F, I < 900 ppm per homogenous material. Also BFR/CFR/PVC Free
-----------------	-------------------------------------------------------------------------------------

Solder Process Capability	Not applicable for solder process capability
---------------------------	----------------------------------------------

Product Compliance Disclaimer

This information is provided based on reasonable inquiry of our suppliers and represents our current actual knowledge based on the information they provided. This information is subject to change. The part numbers that TE has identified as EU RoHS compliant have a maximum concentration of 0.1% by weight in homogenous materials for lead, hexavalent chromium, mercury, PBB, PBDE, DBP, BBP, DEHP, DIBP, and 0.01% for cadmium, or qualify for an exemption to these limits as defined in the Annexes of Directive 2011/65/EU (RoHS2). Finished electrical and electronic equipment products will be CE marked as required by Directive 2011/65/EU. Components may not be CE marked. Additionally, the part numbers that TE has identified as EU ELV compliant have a maximum concentration of 0.1% by weight in homogenous materials for lead, hexavalent chromium, and mercury, and 0.01% for cadmium, or qualify for an exemption to these limits as defined in the Annexes of Directive 2000/53/EC (ELV). Regarding the REACH Regulation, the information TE provides on SVHC in articles for this part number is based on the latest European Chemicals Agency (ECHA) 'Guidance on requirements for substances in articles' posted at this URL: <https://echa.europa.eu/guidance-documents/guidance-on-reach>

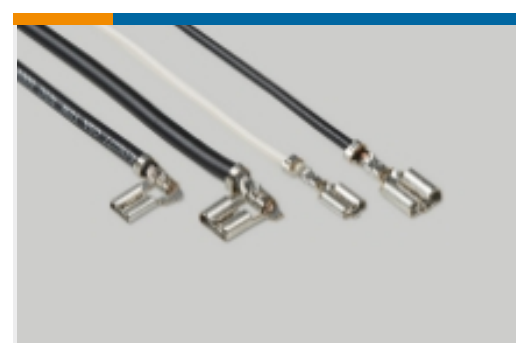
Also in the Series | FASTON 312



Crimp Terminal Housings(3)

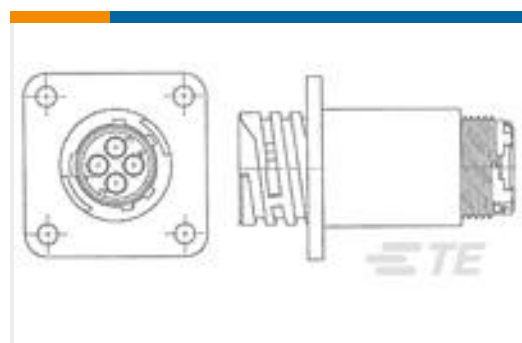
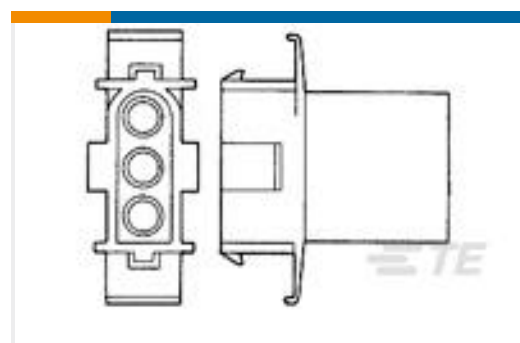
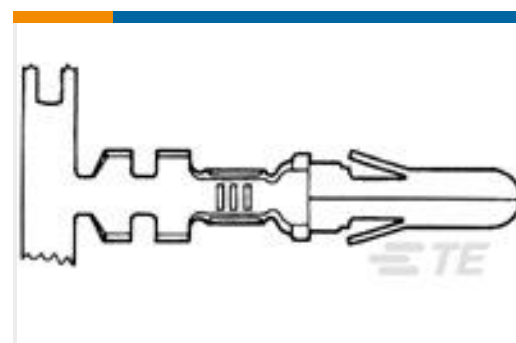
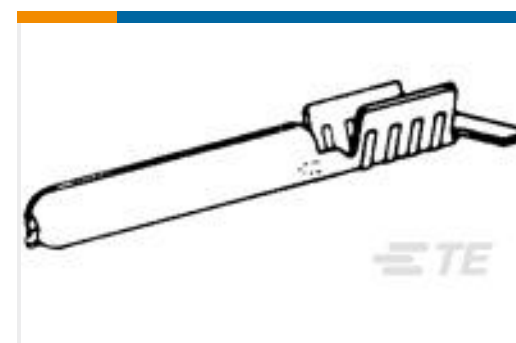


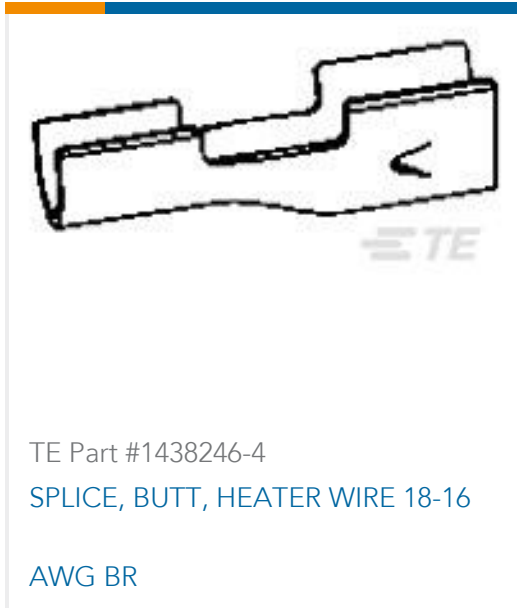
PCB Terminals(1)



Quick Disconnects(9)

Customers Also Bought

TE Part #796286-1
RCPT.ASSY,23-37STD SEX SQ.FLNGTE Part #1-350345-0
02P .140 MNL CAP P/M NATTE Part #61627-1
.140 DIA PIN 20-14 PTPBRTE Part #61013-2
PIN .109 (2.77 MM) 18-14 AWG TPBRTE Part #1586851-1
02P UMNL PLUG HSG, GWTE Part #175022-1
250 PL EX REC. 18-14AWG PTBRTE Part #2325349-1
Power Versa-Lock REAR SEAL, 1X1,
LargeIDTE Part #1-1393212-6
T92S7D22-22



Documents

Product Drawings

312 FASTON TAB 22-15 AWG NPST

English

CAD Files

3D PDF

3D

Customer View Model

[ENG_CVM_CVM_63300-1_L.2d_dxf.zip](#)

English

Customer View Model

[ENG_CVM_CVM_63300-1_L.3d_igs.zip](#)

English

Customer View Model

[ENG_CVM_CVM_63300-1_L.3d_stp.zip](#)

English

By downloading the CAD file I accept and agree to the [Terms and Conditions](#) of use.

Datasheets & Catalog Pages

FASTON Tabs

English

Product Specifications

Application Specification

English

Product Environmental Compliance

TE Material Declaration

English