

6318790-1 ✓ ACTIVE

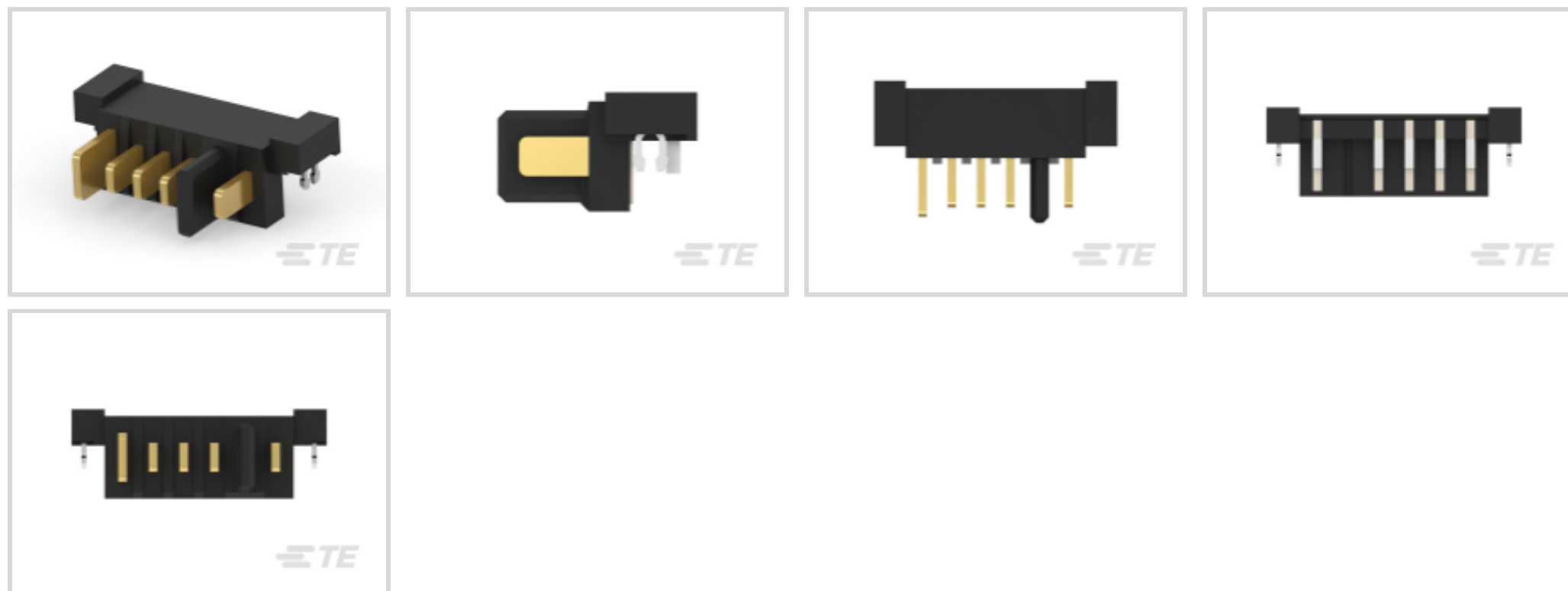
TE Internal #: 6318790-1

DC Jack Connectors, Board-to-Board, 5 Position, .098 in [2.5 mm]
Centerline, Plug, 30 VDC, Right Angle, Printed Circuit Board, Power
& Signal

[View on TE.com >](#)



Connectors > PCB Connectors > Battery Connectors & Holders > DC Jack Connectors



Connector System: **Board-to-Board**

Number of Positions: **5**

Centerline (Pitch): **2.5 mm [.098 in]**

Connector & Housing Type: **Plug**

Operating Voltage: **30 VDC**

Features

Product Type Features

Connector System	Board-to-Board
Connector & Housing Type	Plug
Connector & Contact Terminates To	Printed Circuit Board

Configuration Features

Number of Positions	5
PCB Mount Orientation	Right Angle

Electrical Characteristics

Operating Voltage	30 VDC
-------------------	--------

Contact Features

Contact Current Rating (Max)	6 A
------------------------------	-----

Mechanical Attachment

PCB Mount Retention	With
PCB Mount Retention Type	Boardlock
Connector Mounting Type	Board Mount



Housing Features

Centerline (Pitch)	2.5 mm[.098 in]
--------------------	-----------------

Usage Conditions

Operating Temperature Range	-20 – 80 °C[-4 – 176 °F]
-----------------------------	--------------------------

Operation/Application

Circuit Application	Power & Signal
---------------------	----------------

Packaging Features

Packaging Quantity	50
Packaging Method	Tray

Product Compliance

[For compliance documentation, visit the product page on TE.com>](#)

EU RoHS Directive 2011/65/EU	Compliant
EU ELV Directive 2000/53/EC	Compliant
China RoHS 2 Directive MIIT Order No 32, 2016	No Restricted Materials Above Threshold
EU REACH Regulation (EC) No. 1907/2006	Current ECHA Candidate List: JUNE 2023 (235) Candidate List Declared Against: JUNE 2023 (235) Does not contain REACH SVHC
Halogen Content	Not Low Halogen - contains Br or Cl > 900 ppm.
Solder Process Capability	Wave solder capable to 265°C

Product Compliance Disclaimer

This information is provided based on reasonable inquiry of our suppliers and represents our current actual knowledge based on the information they provided. This information is subject to change. The part numbers that TE has identified as EU RoHS compliant have a maximum concentration of 0.1% by weight in homogenous materials for lead, hexavalent chromium, mercury, PBB, PBDE, DBP, BBP, DEHP, DIBP, and 0.01% for cadmium, or qualify for an exemption to these limits as defined in the Annexes of Directive 2011/65/EU (RoHS2). Finished electrical and electronic equipment products will be CE marked as required by Directive 2011/65/EU. Components may not be CE marked. Additionally, the part numbers that TE has identified as EU ELV compliant have a maximum concentration of 0.1% by weight in homogenous materials for lead, hexavalent chromium, and mercury, and 0.01% for cadmium, or qualify for an exemption to these limits as defined in the Annexes of Directive 2000/53/EC (ELV). Regarding the REACH Regulation, the information TE provides on SVHC in articles for this part number is based on the latest European Chemicals Agency (ECHA) 'Guidance on requirements for substances in articles' posted at this URL: <https://echa.europa.eu/guidance-documents/guidance-on-reach>

Compatible Parts



TE Part # 6376042-2
PLUG ASSY,PB-FREE,2.5MM PITCH
BATTERY CO



TE Part # 6318430-2
RECEPTACLE ASSEMBLY,PB-FREE,2.5
MM PITCH



TE Part # 1565986-1
REC ASSY,2.5 SLIM BATTERY CONN



TE Part # 1473971-2
REC ASS'Y V TYPE FOR 2.5MM PIT



TE Part # 1473969-1
REC ASS'Y FOR 2.5 SLIM BATTERY



TE Part # 1318430-2
2.5MM BATTERY CONN REC ASSY 5P

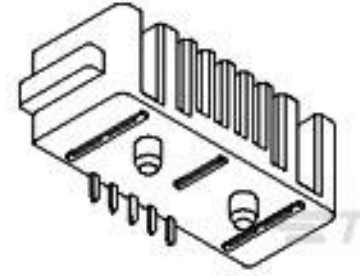
Customers Also Bought



TE Part #1318386-2
025 16P PLUG HSG ASSY H-TYP



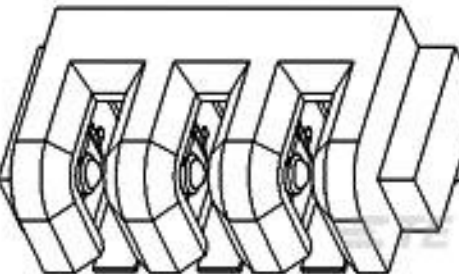
TE Part #2328702-6
6PIN 0.5MMP FPC CONNECTOR,
BACK FLIP LOCK



TE Part #5787526-1
MDI RECEPTACLE ASSEMBLY,6P



TE Part #1612898-1
BATTERY BLOCK CONN. PLUG ASSY



TE Part #1612901-1
BATTERY BLOCK CONN. REC ASSY 3



TE Part #5787428-1
HDR ASY,RA,LKEY,STR TAIL,12.0V



TE Part #1932870-2
FBIS-II PLUG ASSY 6 POS, 1.27um
Gold



TE Part #T4110501041-000
M12,FEMALE,STRAIGHT,D CODE,4P,
PG7,GOLD



TE Part #348989-1
0.5MM CABLE SEAL LC RED



TE Part #1-534237-4
16 MODII VRT SR CE 100/115

Documents



Product Drawings

[PLUG ASSY,PB-FREE,2.5 SLIM BATTERY OFF-S](#)

English

CAD Files

[3D PDF](#)

3D

Customer View Model

[ENG_CVM_CVM_6318790-1_A.2d_dxf.zip](#)

English

Customer View Model

[ENG_CVM_CVM_6318790-1_A.3d_igs.zip](#)

English

Customer View Model

[ENG_CVM_CVM_6318790-1_A.3d_stp.zip](#)

English

By downloading the CAD file I accept and agree to the [Terms and Conditions](#) of use.

Datasheets & Catalog Pages

[2_PIECE_POWER_CONNECTORS_qrg_4-1773458-1](#)

English

Product Specifications

[Product Specification](#)

English

Product Environmental Compliance

[Product Compliance](#)

English

[Product Compliance](#)

English