

63147-1 ✓ ACTIVE

AMPLIVAR

TE Internal #: 63147-1

Closed Ring Tongue Terminal, 17 – 13.5 AWG, M4 / #8 Stud Size, 4.17 mm [.164 in] Stud Diameter, Open Barrel, Straight, Unplated, Uninsulated, AMPLIVAR

[View on TE.com >](#)



Terminals & Splices > Ring Terminals



Ring Terminal Product Type: Closed Ring Tongue Terminal

Wire Size: 2052 – 4935 CMA

Stud Size: #8, M4

Features

Product Type Features

Shape Description	RING-109
Ring Terminal Product Type	Closed Ring Tongue Terminal
Stud Size	#8, M4
Sealable	No
Compatible With Discrete Wire Type	Magnet Wire

Configuration Features

Number of Holes	1
-----------------	---

Contact Features

Barrel Type	Open
Terminal Orientation	Straight
Terminal Plating Material	Unplated
Contact Underplating Material	Brass

Mechanical Attachment

Wire Insulation Support	Without
-------------------------	---------

Dimensions



Wire Size	2052 – 4935 CMA
Stud Diameter	4.17 mm[.164 in]
Tongue Thickness	.5 mm[.02 in]
Product Length	17.58 mm[.692 in]
Barrel Inside Diameter	1.78 mm[.07 in]
Compatible Insulation Diameter (Max)	1.78 mm[.07 in]
Compatible Insulation Diameter Range	1.19 – 1.78 mm[.047 – .07 in]

Usage Conditions

Insulation Option	Uninsulated
Operating Temperature Range	-40 – 105 °C[-40 – 221 °F]

Operation/Application

Compatible With Wire Base Material	Aluminum, Copper
------------------------------------	------------------

Industry Standards

Government Qualified Terminal	No
-------------------------------	----

Packaging Features

Packaging Quantity	9000
Packaging Method	Reel

Product Compliance

[For compliance documentation, visit the product page on TE.com>](#)











EU RoHS Directive 2011/65/EU	Compliant
EU ELV Directive 2000/53/EC	Compliant
China RoHS 2 Directive MIIT Order No 32, 2016	No Restricted Materials Above Threshold
EU REACH Regulation (EC) No. 1907/2006	Current ECHA Candidate List: JUNE 2023 (235) Candidate List Declared Against: JUNE 2023 (235) Does not contain REACH SVHC
Halogen Content	Low Halogen - Br, Cl, F, I < 900 ppm per homogenous material. Also BFR/CFR/PVC Free
Solder Process Capability	Not applicable for solder process capability

Product Compliance Disclaimer

This information is provided based on reasonable inquiry of our suppliers and represents our current actual knowledge based on the information they provided. This information is subject to change. The part numbers that TE has identified as

EU RoHS compliant have a maximum concentration of 0.1% by weight in homogenous materials for lead, hexavalent chromium, mercury, PBB, PBDE, DBP, BBP, DEHP, DIBP, and 0.01% for cadmium, or qualify for an exemption to these limits as defined in the Annexes of Directive 2011/65/EU (RoHS2). Finished electrical and electronic equipment products will be CE marked as required by Directive 2011/65/EU. Components may not be CE marked. Additionally, the part numbers that TE has identified as EU ELV compliant have a maximum concentration of 0.1% by weight in homogenous materials for lead, hexavalent chromium, and mercury, and 0.01% for cadmium, or qualify for an exemption to these limits as defined in the Annexes of Directive 2000/53/EC (ELV). Regarding the REACH Regulation, the information TE provides on SVHC in articles for this part number is based on the latest European Chemicals Agency (ECHA) 'Guidance on requirements for substances in articles' posted at this URL: <https://echa.europa.eu/guidance-documents/guidance-on-reach>

Compatible Parts

 <p>TE Part # 60320-2 AMPLIVAR RG 18-14 #8 TPBR</p>	 <p>TE Part # 62755-1 RING AMVAR 14-12 2 15025 BR</p>	 <p>TE Part # 60320-1 AMPLIVAR RG 18-14 #8 BR</p>	 <p>TE Part # 63446-1 AMVAR RING 22-18 025BR</p>
 <p>TE Part # 505079-1 STUD RETAINING TERM.</p>	 <p>TE Part # 505044-1 STUD RTNG AMVAR TERM .020 BR</p>	 <p>TE Part # 505071-1 STUD RETAINING TERM, AMPLIVAR</p>	 <p>TE Part # 505072-1 STUD RETAINING TERM.</p>
 <p>TE Part # 60318-1 AMPLIVAR RG 18-14 10 BR</p>	 <p>TE Part # 63446-2 AMVAR RING 22-18 025TPBR</p>		

Also in the Series | AMPLIVAR

 <p>Crimp Wire Pins, Tabs & Ferrules(5)</p>	 <p>Magnet Wire Terminals(4)</p>	 <p>PCB Terminals(1)</p>	 <p>Quick Disconnects(41)</p>
------------------------------------------------------------------------------------------------------------------------------------	----------------------------------------------------------------------------------------------------------------------	---------------------------------------------------------------------------------------------------------------	--------------------------------------------------------------------------------------------------------------------

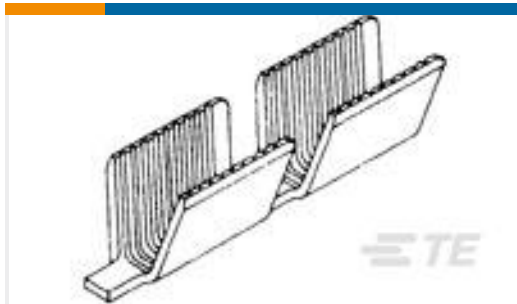
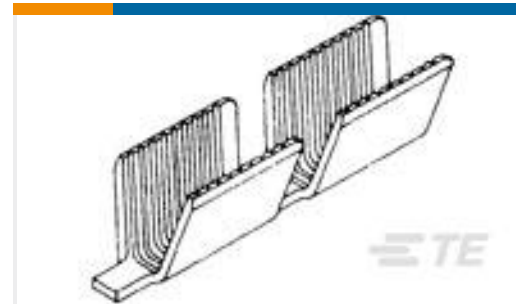
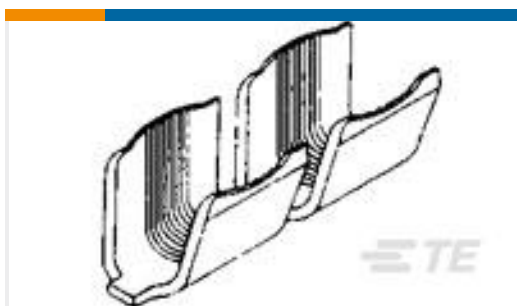


Ring Terminals(28)



Splices(77)

Customers Also Bought

TE Part #62311-2
AMVAR SPLC 10M-17M 0295 TPBRTE Part #63864-1
RING AMVAR IS 2(13) 025TPBRTE Part #62306-2
AMVAR SPLC 1500-5000 020TPBRTE Part #640212-1
AMVAR R 13-11 #10 025TPBRTE Part #41904
SPLC AMVAR 7000-13000 TPBRTE Part #60318-1
AMPLIVAR RG 18-14 10 BR

Documents

Product Drawings

[AMVAR RING 13 1/2-17 020BR](#)

English

CAD Files

[3D PDF](#)

3D

Customer View Model

[ENG_CVM_CVM_63147-1_H.2d_dxf.zip](#)

English

Customer View Model

[ENG_CVM_CVM_63147-1_H.3d_igs.zip](#)

English

Customer View Model

[ENG_CVM_CVM_63147-1_H.3d_stp.zip](#)

English

By downloading the CAD file I accept and agree to the [Terms and Conditions](#) of use.



Product Specifications

Application Specification

English

Product Environmental Compliance

Product Compliance

English

Product Compliance

English