

63128-3 ✓ ACTIVE

## MAG-MATE

TE Internal #: 63128-3

Magnet Wire Terminals, Tab, Mating Tab Width .25 in [6.35 mm],

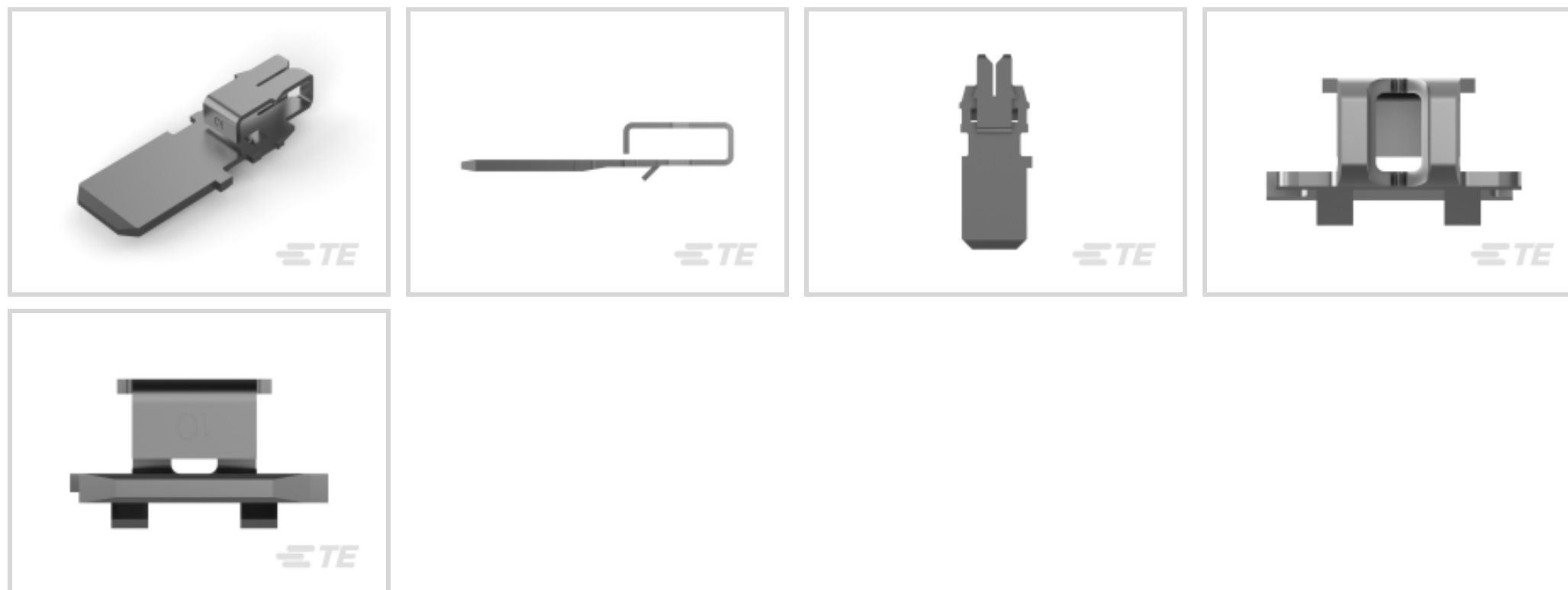
Size 3, .36 – .58 mm Magnet Wire, 27 – 23 AWG Magnet Wire,

MAG-MATE

[View on TE.com >](#)



Terminals & Splices > Magnet Wire Terminals



Magnet Wire Terminal Type: **Tab**

Mating Tab Width: **6.35 mm [ .25 in ]**

Mating Tab Thickness: **.8 mm [ .032 in ]**

Compatible With Cavity Size: **Size 3**

Magnet Wire Size: **27 – 23 AWG**

### Features

#### Product Type Features

Compatible With Discrete Wire Type

Magnet Wire, Solid

#### Body Features

Compatible With Cavity Size

Size 3

#### Contact Features

Magnet Wire Terminal Type

Tab

Mating Tab Width

6.35 mm [.25 in]

Mating Tab Thickness

.8 mm [.032 in]

Terminal Plating Material

Tin

Terminal Orientation

Straight

#### Termination Features

Termination Method to Wire & Cable

Insulation Displacement (IDC)

#### Mechanical Attachment

Mating Retention Type

Dimple



### Dimensions

Terminal Height	7.87 mm[.3 in]
Magnet Wire Size	.36 – .58 mm
Stock Thickness (Magnet Wire Side)	.41 mm[.016 in]
Product Length	16 mm[.63 in]

### Usage Conditions

Insulation Option	Uninsulated
-------------------	-------------

### Operation/Application

Compatible With Wire Base Material	Aluminum, Copper
------------------------------------	------------------

### Identification Marking

Identification Number	10
-----------------------	----

### Packaging Features

Packaging Quantity	7000
Packaging Method	Reel, Reel/Carton

### Other

Terminals & Splices Comment	Half hard temper brass, Two magnet wires may be terminated in the same terminal slot if diameters are equal., With Latches
-----------------------------	--

### Product Compliance

[For compliance documentation, visit the product page on TE.com>](#)

EU RoHS Directive 2011/65/EU	Compliant
EU ELV Directive 2000/53/EC	Compliant
China RoHS 2 Directive MIIT Order No 32, 2016	No Restricted Materials Above Threshold
EU REACH Regulation (EC) No. 1907/2006	Current ECHA Candidate List: JUNE 2023 (235) Candidate List Declared Against: JUNE 2023 (235) Does not contain REACH SVHC
Halogen Content	Low Halogen - Br, Cl, F, I < 900 ppm per homogenous material. Also BFR/CFR/PVC Free
Solder Process Capability	Not applicable for solder process capability

Product Compliance Disclaimer

This information is provided based on reasonable inquiry of our suppliers and represents our current actual knowledge based on the information they provided. This information is subject to change. The part numbers that TE has identified as EU RoHS compliant have a maximum concentration of 0.1% by weight in homogenous materials for lead, hexavalent chromium, mercury, PBB, PBDE, DBP, BBP, DEHP, DIBP, and 0.01% for cadmium, or qualify for an exemption to these limits as defined in the Annexes of Directive 2011/65/EU (RoHS2). Finished electrical and electronic equipment products will be CE marked as required by Directive 2011/65/EU. Components may not be CE marked. Additionally, the part numbers that TE has identified as EU ELV compliant have a maximum concentration of 0.1% by weight in homogenous materials for lead, hexavalent chromium, and mercury, and 0.01% for cadmium, or qualify for an exemption to these limits as defined in the Annexes of Directive 2000/53/EC (ELV). Regarding the REACH Regulation, the information TE provides on SVHC in articles for this part number is based on the latest European Chemicals Agency (ECHA) 'Guidance on requirements for substances in articles' posted at this URL: <https://echa.europa.eu/guidance-documents/guidance-on-reach>

## Compatible Parts



Also in the Series | **MAG-MATE**



Insertion &amp; Extraction Tools(6)

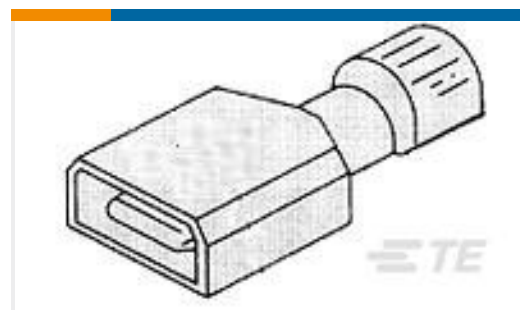
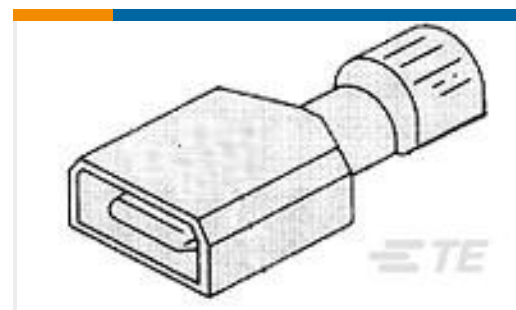
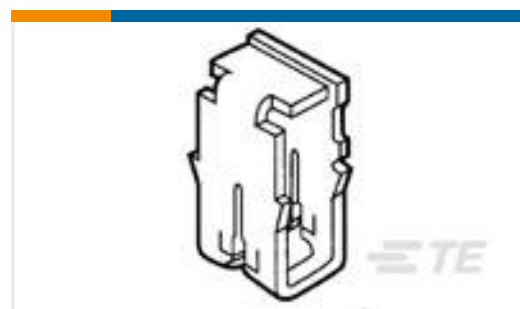


Magnet Wire Terminals(435)



PCB Terminals(1)

## Customers Also Bought

TE Part #2-320554-1  
PIDG R 22-16 COMM 22-18 MIL 8TE Part #350826-1  
04P UMNL HDR ASSY PC 94VOTE Part #350778-1  
02P UMNL CAP HSGTE Part #794276-1  
06P UMNL WIRE SEALTE Part #1-1703061-2  
PLUG, 2 CIRCUIT, UNIVERSAL MATE-N-LOKTE Part #2-521144-2  
ULTRA-FAST 250 ASY TAB 22-18 TPBRTE Part #2-520102-2  
ULTRA-FAST 250 ASSEMBLY TAB 22-18 AWG BRTE Part #2-520183-2  
ULTRA-FAST 250 ASY REC 22-18 TPBRTE Part #CM9614-000  
SBP100143WE5TE Part #1534234-1  
MAG-MATE TAB REC4,8

## Documents

### Product Drawings

[TAB, .250 FASTON,MAG-MATE](#)

English

### CAD Files

[3D PDF](#)

[3D](#)

[Customer View Model](#)

[ENG\\_CVM\\_CVM\\_63128-3\\_AG.2d\\_dxf.zip](#)



English

**Customer View Model**

[ENG\\_CVM\\_CVM\\_63128-3\\_AG.3d\\_igs.zip](#)

English

**Customer View Model**

[ENG\\_CVM\\_CVM\\_63128-3\\_AG.3d\\_stp.zip](#)

English

By downloading the CAD file I accept and agree to the [Terms and Conditions](#) of use.

---

## Datasheets & Catalog Pages

[Magnet Wire Terminals & Splices](#)

English

---

## Product Specifications

[Application Specification](#)

English

[Application Specification](#)

Japanese

[MAG-MATE Standard Series .300 Box Height Special Latch Type Terminal](#)

Japanese

---

## Product Environmental Compliance

[MD\\_63128-3\\_10052017634\\_dmtec](#)

English

[MD\\_63128-3\\_10052017634\\_dmtec](#)

English