

63104-1 ✓ ACTIVE

FASTON | FASTON 250

TE Internal #: 63104-1

Quick Disconnects, Tab, 20 – 15 AWG Wire Size, .51 – 1.65 mm²

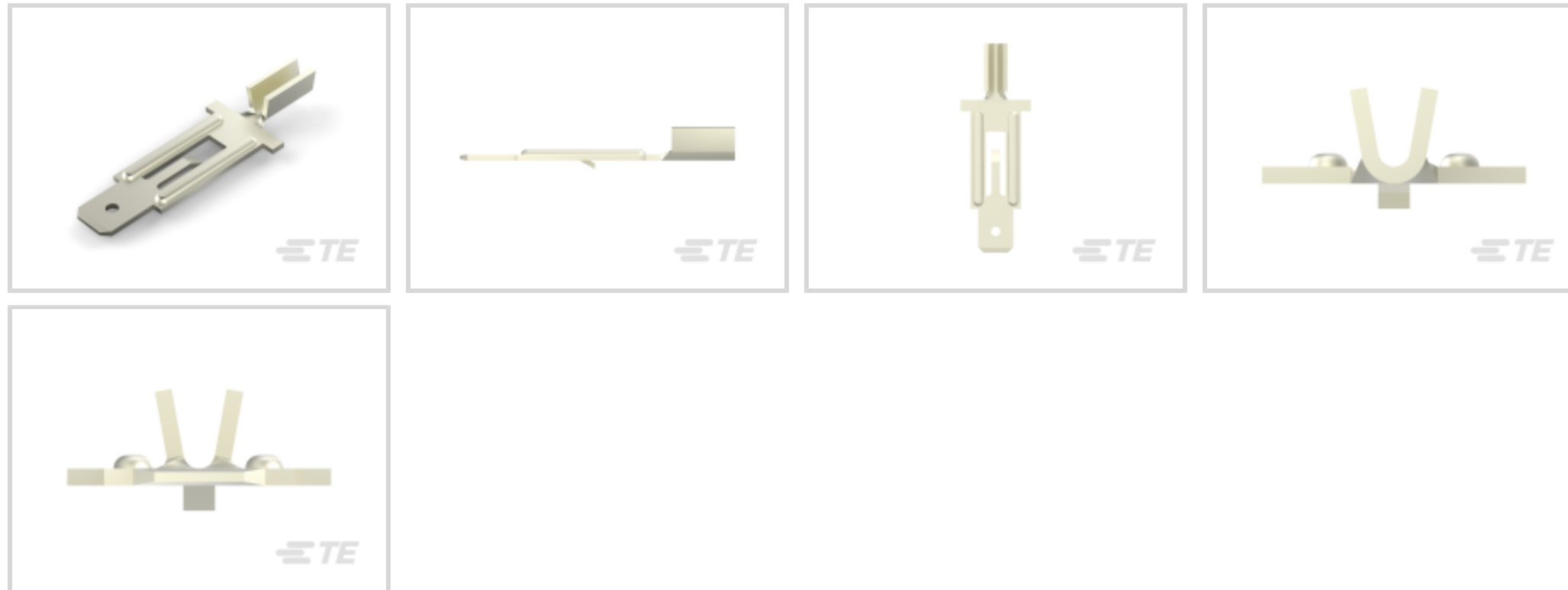
Wire Size, Mating Tab Width 6.35 mm [.25 in], Straight, Steel,

FASTON 250

[View on TE.com >](#)



Terminals & Splices > Quick Disconnects



Quick Disconnect Terminal Type: **Tab**

Wire Size: **.51 – 1.65 mm²**

Mating Tab Width: **6.35 mm [.25 in]**

Mating Tab Thickness: **.81 mm [.032 in]**

Features

Configuration Features

Connection Capacity	Single
Compatible With Wire & Cable Type	Discrete Wire

Contact Features

Quick Disconnect Terminal Type	Tab
Mating Tab Width	6.35 mm [.25 in]
Mating Tab Thickness	.81 mm [.032 in]
Terminal Orientation	Straight
Contact Base Material	Steel
Terminal Plating Material	Nickel
Crimp Type	F-Crimp
Barrel Type	Open

Termination Features

Product Terminates To	Wire & Cable
-----------------------	--------------

Mechanical Attachment



Wire Insulation Support	Without
-------------------------	---------

Mating Retention Type	Dimple
-----------------------	--------

Dimensions

Terminal Material Thickness	.81 mm[.032 in]
-----------------------------	-----------------

Product Length	38.1 mm[1.5 in]
----------------	-----------------

Wire Size	.51 – 1.65 mm ²
-----------	----------------------------

Usage Conditions

Insulation Option	Uninsulated
-------------------	-------------

Operating Temperature Range	-40 – 250 °C[-40 – 482 °F]
-----------------------------	----------------------------

Industry Standards

Agency/Standard	UL
-----------------	----

Packaging Features

Packaging Quantity	3000
--------------------	------

Packaging Method	Strip/Reel
------------------	------------

Other

Terminals & Splices Comment	For use in ceramic housings., With locking lance.
-----------------------------	---

Product Compliance

[For compliance documentation, visit the product page on TE.com>](#)

EU RoHS Directive 2011/65/EU	Compliant
------------------------------	-----------

EU ELV Directive 2000/53/EC	Compliant
-----------------------------	-----------

China RoHS 2 Directive MIIT Order No 32, 2016	No Restricted Materials Above Threshold
---	---

EU REACH Regulation (EC) No. 1907/2006	Current ECHA Candidate List: JUNE 2023 (235) Candidate List Declared Against: JUNE 2023 (235) Does not contain REACH SVHC
--	---

Halogen Content	Low Halogen - Br, Cl, F, I < 900 ppm per homogenous material. Also BFR/CFR/PVC Free
-----------------	---

Solder Process Capability	Not applicable for solder process capability
---------------------------	--

Product Compliance Disclaimer

This information is provided based on reasonable inquiry of our suppliers and represents our current actual knowledge based on the information they provided. This information is subject to change. The part numbers that TE has identified as



EU RoHS compliant have a maximum concentration of 0.1% by weight in homogenous materials for lead, hexavalent chromium, mercury, PBB, PBDE, DBP, BBP, DEHP, DIBP, and 0.01% for cadmium, or qualify for an exemption to these limits as defined in the Annexes of Directive 2011/65/EU (RoHS2). Finished electrical and electronic equipment products will be CE marked as required by Directive 2011/65/EU. Components may not be CE marked. Additionally, the part numbers that TE has identified as EU ELV compliant have a maximum concentration of 0.1% by weight in homogenous materials for lead, hexavalent chromium, and mercury, and 0.01% for cadmium, or qualify for an exemption to these limits as defined in the Annexes of Directive 2000/53/EC (ELV). Regarding the REACH Regulation, the information TE provides on SVHC in articles for this part number is based on the latest European Chemicals Agency (ECHA) 'Guidance on requirements for substances in articles' posted at this URL: <https://echa.europa.eu/guidance-documents/guidance-on-reach>

Also in the Series | FASTON 250



Compression Connectors(4)



Crimp Terminal Housings(142)



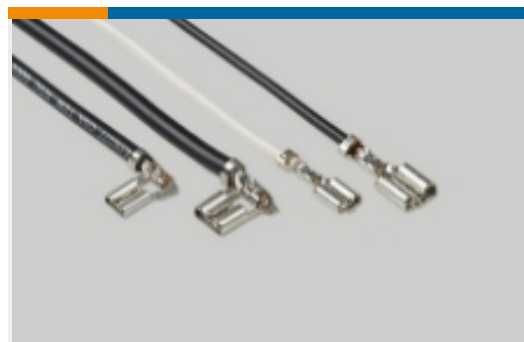
Insertion & Extraction Tools(6)



Magnet Wire Terminals(1)



PCB Terminals(135)

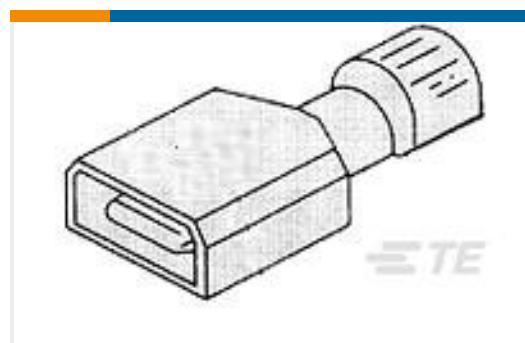


Quick Disconnects(445)

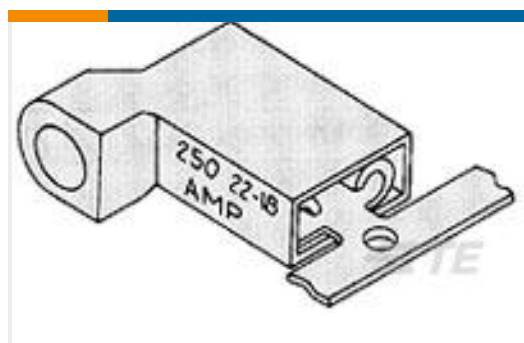


Splices(4)

Customers Also Bought



TE Part #2-521144-2
 ULTRA-FAST 250 ASY TAB 22-18 TPBR



TE Part #3-520132-2
 ULTRAFast 250 ASSY FLAG REC 16-14 TPBR



TE Part #61944-2
 250 FASTON REC 18-14 AWG TPBR



TE Part #3-520140-2
 ULTRA-FAST 250 ASY REC 16-14 AWG TPBR



TE Part #41772
 250 FASTON REC 22-18 AWG TPBR



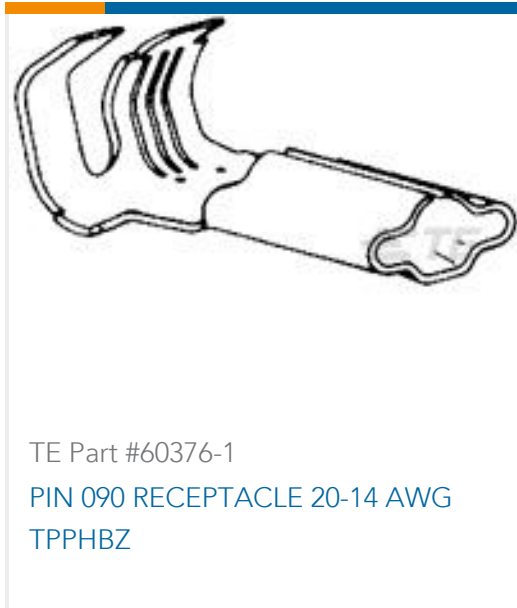
TE Part #41274
 250 FASTON,REC.,18-14 AWG,TPBR



TE Part #2-520263-2
 ULTRA-FAST 250 ASY REC 22-18 TPBR



TE Part #350851-1
 UMNL SOK 24-18 PTPBR



Documents

Product Drawings

250 FASTON TAB 20-15 AWG NPST

English

CAD Files

3D PDF

3D

Customer View Model

[ENG_CVM_CVM_63104-1_P.2d_dxf.zip](#)

English

Customer View Model

[ENG_CVM_CVM_63104-1_P.3d_igs.zip](#)

English

Customer View Model

[ENG_CVM_CVM_63104-1_P.3d_stp.zip](#)

English

By downloading the CAD file I accept and agree to the [Terms and Conditions](#) of use.

Datasheets & Catalog Pages

FASTON Tabs

English

Product Specifications

Application Specification

English