

62888-2 ✓ ACTIVE



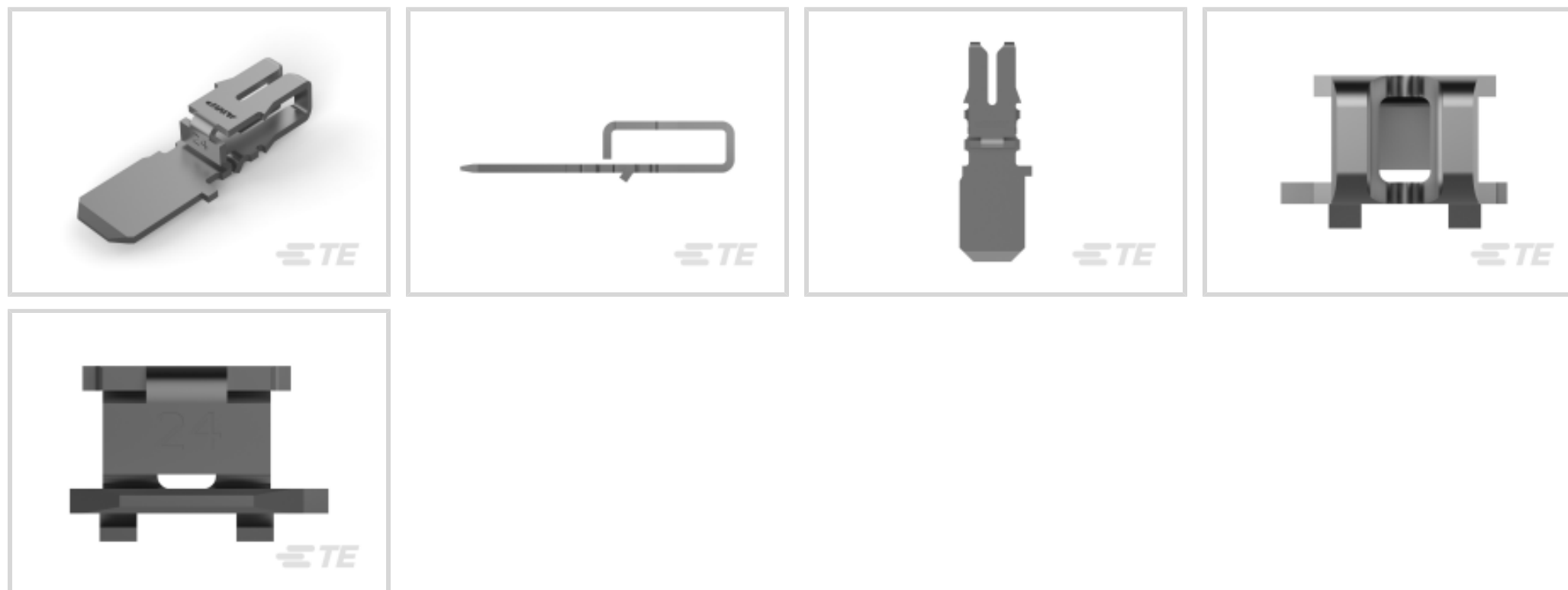
MAG-MATE

TE Internal #: 62888-2

Magnet Wire Terminals, Tab, Mating Tab Width .188 in [4.76 mm],
Size 5, .73 – 1.03 mm Aluminum Wire, .91 – 1.15 mm Magnet Wire,
MAG-MATE

[View on TE.com >](#)

Terminals & Splices > Magnet Wire Terminals



Magnet Wire Terminal Type: **Tab**

Mating Tab Width: **4.76 mm [.188 in]**

Mating Tab Thickness: **.51 mm [.02 in]**

Compatible With Cavity Size: **Size 5**

Aluminum Wire Size: **.73 – 1.03 mm**

Features

Product Type Features

Compatible With Discrete Wire Type	Magnet Wire, Solid
------------------------------------	--------------------

Body Features

Compatible With Cavity Size	Size 5
-----------------------------	--------

Contact Features

Magnet Wire Terminal Type	Tab
Mating Tab Width	4.76 mm[.188 in]
Mating Tab Thickness	.51 mm[.02 in]
Terminal Plating Material	Tin
Terminal Orientation	Straight

Termination Features

Termination Method to Wire & Cable	Insulation Displacement (IDC)
------------------------------------	-------------------------------

Mechanical Attachment

Mating Retention Type	Dimple
-----------------------	--------



Dimensions

Terminal Height	7.62 mm[.3 in]
Aluminum Wire Size	.73 – 1.03 mm
Magnet Wire Size	.91 – 1.15 mm
Stock Thickness (Magnet Wire Side)	.51 mm[.02 in]
Product Length	16 mm[.63 in]

Usage Conditions

Insulation Option	Uninsulated
Operating Temperature Range	-65 – 150 °C[-85 – 302 °F]

Operation/Application

Compatible With Wire Base Material	Aluminum, Copper
------------------------------------	------------------

Identification Marking

Identification Number	24
-----------------------	----

Packaging Features

Packaging Quantity	11000
Packaging Method	Reel, Reel/Carton

Other

Terminals & Splices Comment	Single magnet wire only., Splice Free
-----------------------------	---------------------------------------

Product Compliance

[For compliance documentation, visit the product page on TE.com>](#)

EU RoHS Directive 2011/65/EU	Compliant
EU ELV Directive 2000/53/EC	Compliant
China RoHS 2 Directive MIIT Order No 32, 2016	No Restricted Materials Above Threshold
EU REACH Regulation (EC) No. 1907/2006	Current ECHA Candidate List: JUNE 2023 (235) Candidate List Declared Against: JUNE 2023 (235) Does not contain REACH SVHC
Halogen Content	Low Halogen - Br, Cl, F, I < 900 ppm per homogenous material. Also BFR/CFR/PVC Free
Solder Process Capability	Not applicable for solder process capability

Product Compliance Disclaimer

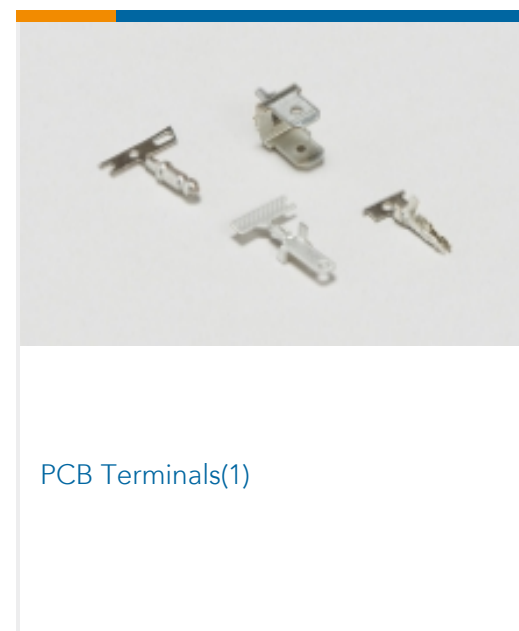
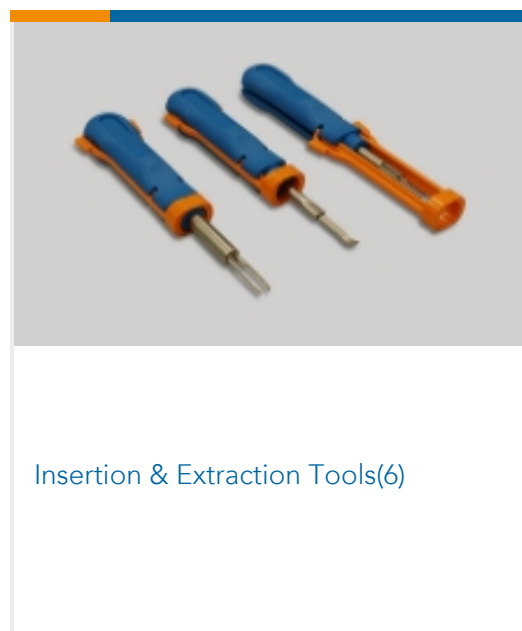
This information is provided based on reasonable inquiry of our suppliers and represents our current actual knowledge based on the information they provided. This information is subject to change. The part numbers that TE has identified as EU RoHS compliant have a maximum concentration of 0.1% by weight in homogenous materials for lead, hexavalent chromium, mercury, PBB, PBDE, DBP, BBP, DEHP, DIBP, and 0.01% for cadmium, or qualify for an exemption to these limits as defined in the Annexes of Directive 2011/65/EU (RoHS2). Finished electrical and electronic equipment products will be CE marked as required by Directive 2011/65/EU. Components may not be CE marked. Additionally, the part numbers that TE has identified as EU ELV compliant have a maximum concentration of 0.1% by weight in homogenous materials for lead, hexavalent chromium, and mercury, and 0.01% for cadmium, or qualify for an exemption to these limits as defined in the Annexes of Directive 2000/53/EC (ELV). Regarding the REACH Regulation, the information TE provides on SVHC in articles for this part number is based on the latest European Chemicals Agency (ECHA) 'Guidance on requirements for substances in articles' posted at this URL: <https://echa.europa.eu/guidance-documents/guidance-on-reach>

Compatible Parts

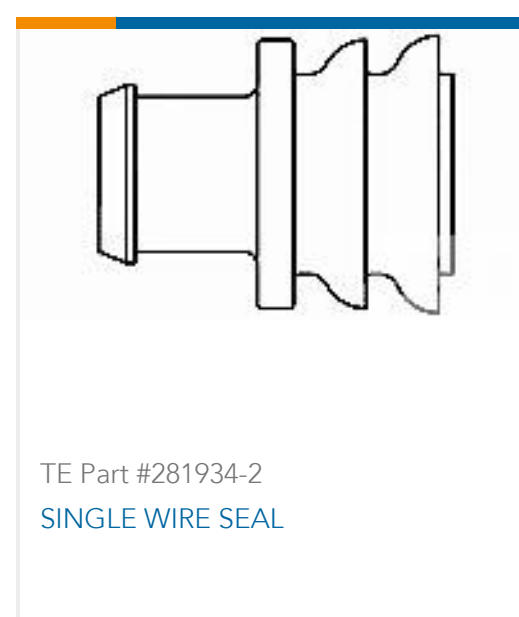
 <p>TE Part # 63145-1 MAG-MATE 110 TAB 17-19 020TPBR</p>	 <p>TE Part # 63643-1 MAG-MATE 187 FAST TAB 0198TPBR</p>	 <p>TE Part # 63273-1 MAG-MATE 187 FAST TAB 020TPBR</p>	 <p>TE Part # 62888-1 MAG-MATE 187 TAB 020 TPBR</p>
 <p>TE Part # 62512-1 MAG-MATE 30-27 187 F TAB TPBR</p>	 <p>TE Part # 62904-1 MAG-MATE 187 TAB 020 TPBR</p>	 <p>TE Part # 62511-1 MAG-MATE 22-20 187 F TAB TPBR</p>	 <p>TE Part # 1742035-1 TAB,187 X 032 FASTON,MAG-MATE</p>
 <p>TE Part # 1742159-1 TERMINAL,SPLICE, MAG-MATE</p>	 <p>TE Part # 1742159-2 TERM,SPLICE,MAG-MATE</p>	 <p>TE Part # 63782-1 TAB,187 FAST MAG-MATE 020TPBR</p>	 <p>TE Part # 63340-1 MAG-MATE 187 FTAB #23 TPBR</p>
 <p>TE Part # 2328510-1 300BOX MAG-MATE TERMINAL WITH 187 TAB</p>	 <p>TE Part # 63216-1 MAG-MATE W/118 CONN TAB TPBR</p>	 <p>TE Part # 63511-1 MAG-MATE 187 FAST TAB 020TPBR</p>	 <p>TE Part # 63734-2 TAB,187 MAG-MATE SLIM LN 19-17</p>



Also in the Series | MAG-MATE



Customers Also Bought



Documents

Product Drawings

MAG-MATE 187 TAB 020 TPBR

English

CAD Files

3D PDF

3D



Customer View Model

[ENG_CVM_CVM_62888-2_AK.2d_dxf.zip](#)

English

Customer View Model

[ENG_CVM_CVM_62888-2_AK.3d_igs.zip](#)

English

Customer View Model

[ENG_CVM_CVM_62888-2_AK.3d_stp.zip](#)

English

By downloading the CAD file I accept and agree to the [Terms and Conditions](#) of use.

Datasheets & Catalog Pages

[Magnet Wire Terminals & Splices](#)

English

Product Specifications

[Application Specification](#)

English

Product Environmental Compliance

[Product Compliance](#)

English

[Product Compliance](#)

English