

62786-1 ✓ ACTIVE

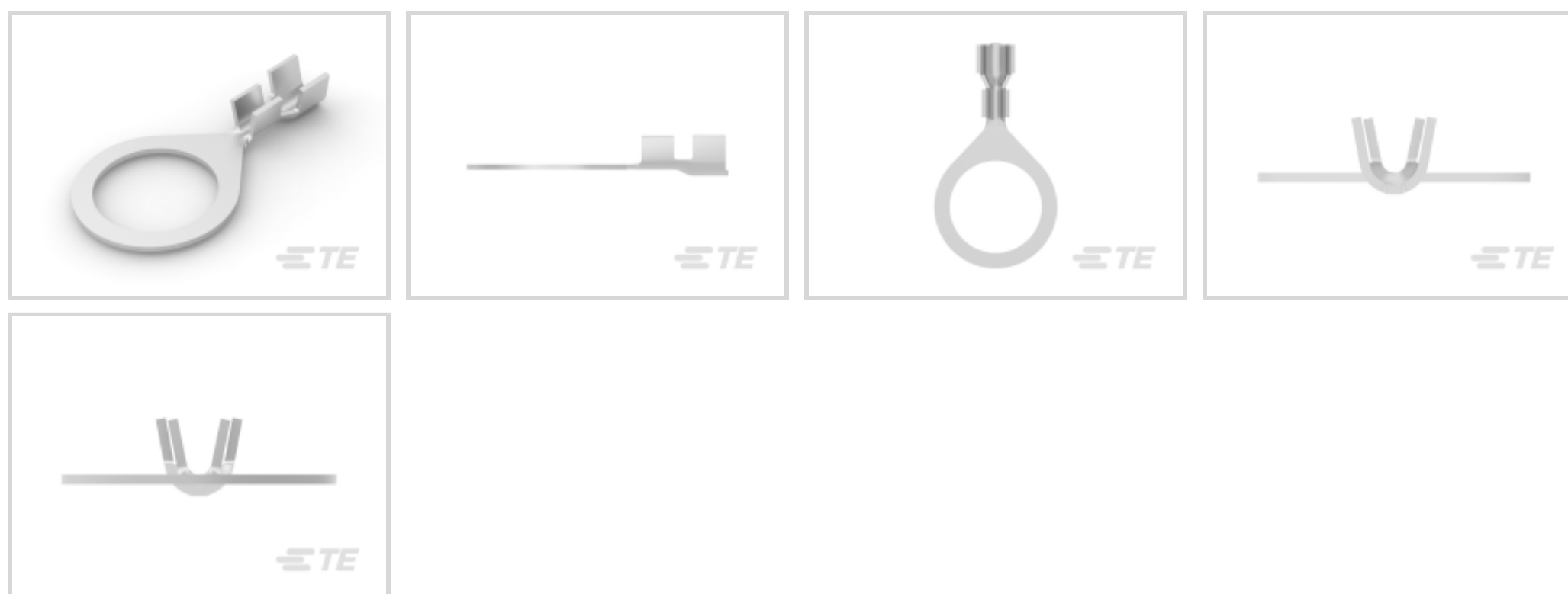
TE Internal #: 62786-1

Closed Ring Tongue Terminal, 18 – 14 AWG, M12 / 1/2 Stud Size,  
13.08 mm [.5 in] Stud Diameter, Open Barrel, Straight, Unplated,  
Uninsulated

[View on TE.com >](#)



Terminals & Splices > Ring Terminals



Ring Terminal Product Type: **Closed Ring Tongue Terminal**

Wire Size: **1624 – 4106 CMA**

Stud Size: **1/2, M12**

## Features

### Product Type Features

|  |                             |
|--|-----------------------------|
| Shape Description                      | Circular/Oval               |
| Ring Terminal Product Type             | Closed Ring Tongue Terminal |
| Stud Size                              | 1/2, M12                    |
| Sealable                               | No                          |
| Compatible With Discrete Wire Type     | Stranded                    |
| Wire Insulation Support Retention Type | Insulation Support          |

### Configuration Features

|                 |   |
|-----------------|---|
| Number of Holes | 1 |
|-----------------|---|

### Contact Features

|                               |                 |
|-------------------------------|-----------------|
| Contact Base Material         | Stainless Steel |
| Barrel Type                   | Open            |
| Terminal Orientation          | Straight        |
| Terminal Plating Material     | Unplated        |
| Contact Underplating Material | None            |

### Mechanical Attachment

|                         |      |
|-------------------------|------|
| Wire Insulation Support | With |
|-------------------------|------|



### Dimensions

|                                      |                                     |
|--------------------------------------|-------------------------------------|
|                                      | .09 in                              |
| Wire Size                            | 1624 – 4106 CMA                     |
| Stud Diameter                        | 13.08 mm [.5 in]                    |
| Tongue Thickness                     | .76 mm [.03 in]                     |
| Product Length                       | 31.75 mm [1.25 in]                  |
| Barrel Inside Diameter               | 1.6 mm, 3.17 mm [.063 in] [.125 in] |
| Compatible Insulation Diameter (Max) | 3.68 mm [.145 in]                   |
| Compatible Insulation Diameter Range | 2.29 – 3.68 mm [.09 – .145 in]      |

### Usage Conditions

|                             |                             |
|-----------------------------|-----------------------------|
| Insulation Option           | Uninsulated                 |
| Operating Temperature Range | -40 – 110 °C [-40 – 230 °F] |

### Operation/Application

|                                    |        |
|------------------------------------|--------|
| Compatible With Wire Base Material | Copper |
|------------------------------------|--------|

### Industry Standards

|                               |    |
|-------------------------------|----|
| Government Qualified Terminal | No |
|-------------------------------|----|

### Packaging Features

|                    |            |
|--------------------|------------|
| Packaging Quantity | 3500       |
| Packaging Method   | Strip/Reel |

### Product Compliance

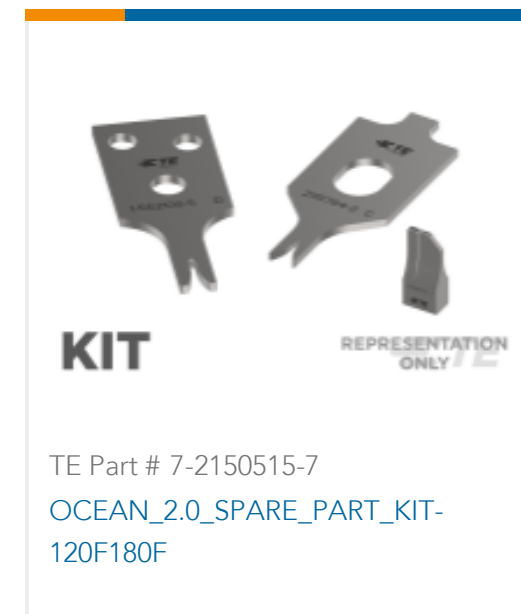
[For compliance documentation, visit the product page on TE.com>](#)

|   |  |
|---|--|
| EU RoHS Directive 2011/65/EU                  | Compliant  |
| EU ELV Directive 2000/53/EC                   | Compliant  |
| China RoHS 2 Directive MIIT Order No 32, 2016 | No Restricted Materials Above Threshold  |
| EU REACH Regulation (EC) No. 1907/2006        | Current ECHA Candidate List: JUNE 2023 (235)<br>Candidate List Declared Against: JAN 2023 (233)<br>Does not contain REACH SVHC |
| Halogen Content                               | Low Halogen - Br, Cl, F, I < 900 ppm per homogenous material. Also BFR/CFR/PVC Free  |
| Solder Process Capability                     | Not applicable for solder process capability   |

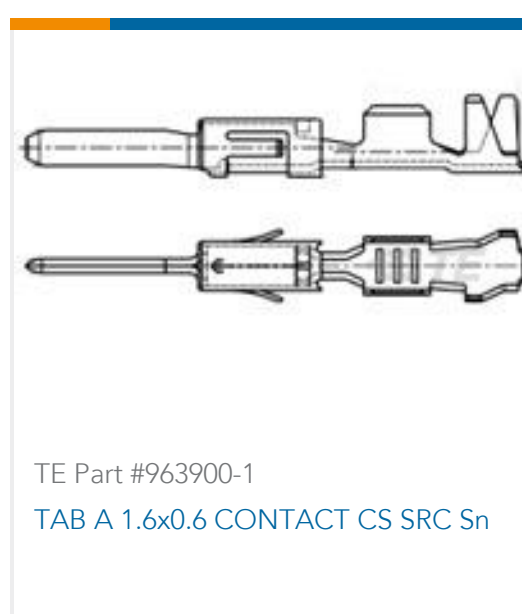
## Product Compliance Disclaimer

This information is provided based on reasonable inquiry of our suppliers and represents our current actual knowledge based on the information they provided. This information is subject to change. The part numbers that TE has identified as EU RoHS compliant have a maximum concentration of 0.1% by weight in homogenous materials for lead, hexavalent chromium, mercury, PBB, PBDE, DBP, BBP, DEHP, DIBP, and 0.01% for cadmium, or qualify for an exemption to these limits as defined in the Annexes of Directive 2011/65/EU (RoHS2). Finished electrical and electronic equipment products will be CE marked as required by Directive 2011/65/EU. Components may not be CE marked. Additionally, the part numbers that TE has identified as EU ELV compliant have a maximum concentration of 0.1% by weight in homogenous materials for lead, hexavalent chromium, and mercury, and 0.01% for cadmium, or qualify for an exemption to these limits as defined in the Annexes of Directive 2000/53/EC (ELV). Regarding the REACH Regulation, the information TE provides on SVHC in articles for this part number is based on the latest European Chemicals Agency (ECHA) 'Guidance on requirements for substances in articles' posted at this URL: <https://echa.europa.eu/guidance-documents/guidance-on-reach>

## Compatible Parts



## Customers Also Bought



## Documents

**Product Drawings**  
**RING 18-14 515 0245 SST**  
English



### CAD Files

#### 3D PDF

3D

#### Customer View Model

[ENG\\_CVM\\_CVM\\_62786-1\\_F\\_c-62786-1-f.2d\\_dxf.zip](#)

English

#### Customer View Model

[ENG\\_CVM\\_CVM\\_62786-1\\_F\\_c-62786-1-f.3d\\_igs.zip](#)

English

#### Customer View Model

[ENG\\_CVM\\_CVM\\_62786-1\\_F\\_c-62786-1-f.3d\\_stp.zip](#)

English

By downloading the CAD file I accept and agree to the [Terms and Conditions](#) of use.

### Product Specifications

#### Application Specification

English

### Product Environmental Compliance

#### TE Material Declaration

English