

62754-1 ✓ ACTIVE



## SPLICE

TE Internal #: 62754-1

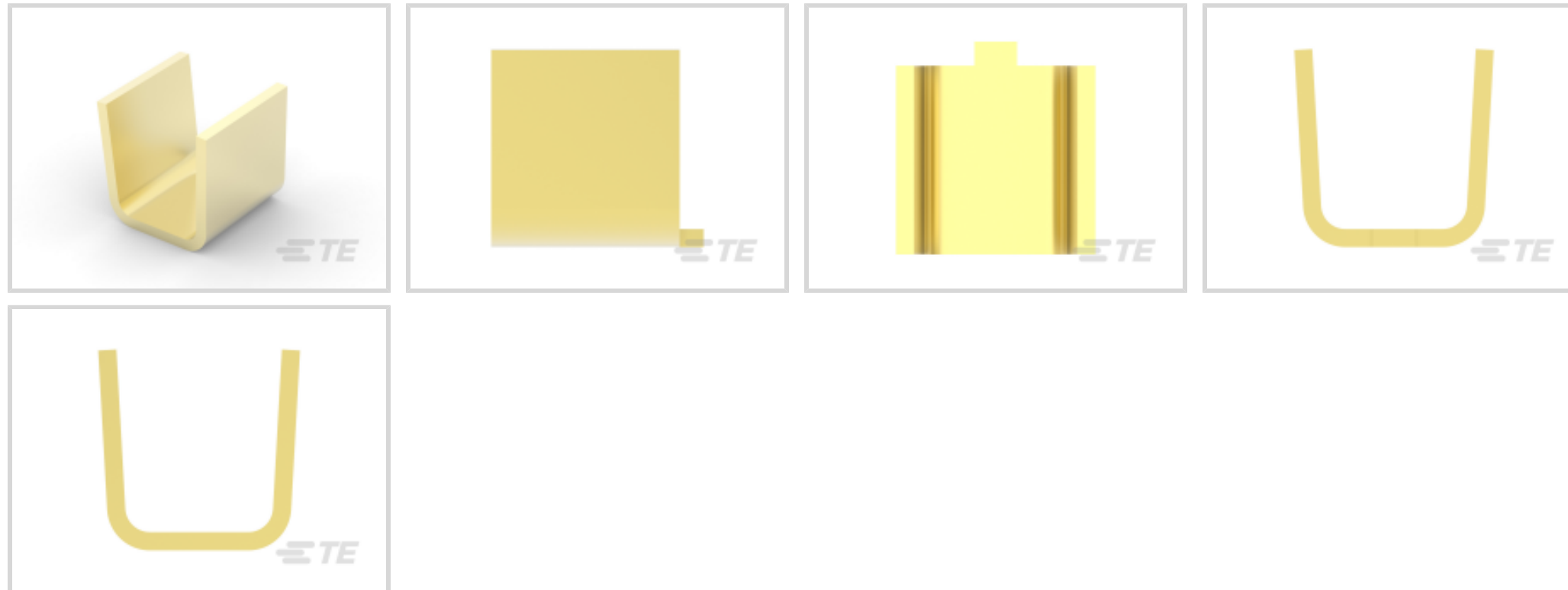
Splices, Thru Splice / Pigtail Splice, Serrated, 14000 – 30000 CMA

Wire Size, Brass, 7 Serration, Length .312 in [7.92 mm], Reel, Open,

SPLICE

[View on TE.com >](#)

Terminals & Splices > Splices



Sealable: **No**

Splice Features: **Serrated**

Wire Size: **14000 – 30000 CMA**

Contact Base Material: **Brass**

Splice Type: **Pigtail Splice, Thru Splice**

### Features

#### Product Type Features

Sealable	No
Splice Type	Pigtail Splice, Thru Splice
Compatible With Discrete Wire Type	Solid, Stranded
Wire Insulation Support Retention Type	Non-Insulation Support

#### Configuration Features

Number of Serrations	7
Compatible With Wire & Cable Type	Discrete Wire

#### Body Features

Product Weight	.998 g [.035 oz]
Splice Features	Serrated

#### Contact Features

Contact Base Material	Brass
Barrel Type	Open



### Mechanical Attachment

Wire Insulation Support	Without
-------------------------	---------

### Dimensions

Wire Size	14000 – 30000 CMA
Terminal Material Thickness	.76 mm [.03 in]
Product Length	7.92 mm [.312 in]

### Usage Conditions

Insulation Option	Uninsulated
Operating Temperature Range	-40 – 110 °C [-40 – 230 °F]

### Operation/Application

Compatible With Wire Base Material	Copper
------------------------------------	--------

### Industry Standards

Government Qualified Splice	No
-----------------------------	----

### Packaging Features

Packaging Quantity	2000
Packaging Method	Reel

### Product Compliance

[For compliance documentation, visit the product page on TE.com>](#)

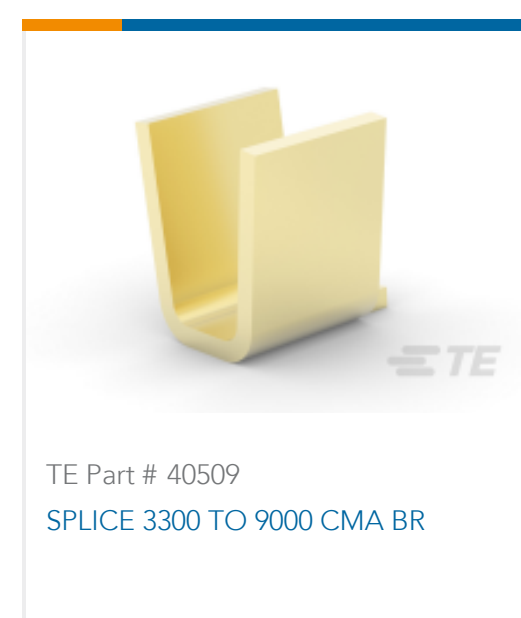
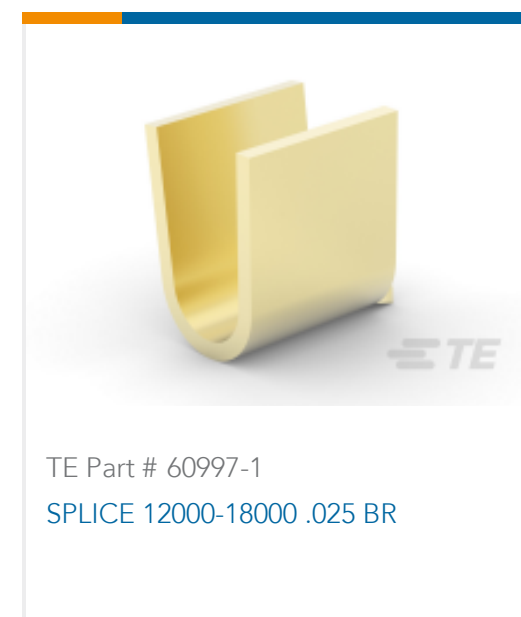
EU RoHS Directive 2011/65/EU	Compliant
EU ELV Directive 2000/53/EC	Compliant
China RoHS 2 Directive MIIT Order No 32, 2016	No Restricted Materials Above Threshold
EU REACH Regulation (EC) No. 1907/2006	Current ECHA Candidate List: JUNE 2023 (235) Candidate List Declared Against: JUNE 2023 (235) Does not contain REACH SVHC
Halogen Content	Low Halogen - Br, Cl, F, I < 900 ppm per homogenous material. Also BFR/CFR/PVC Free
Solder Process Capability	Not applicable for solder process capability

#### Product Compliance Disclaimer

This information is provided based on reasonable inquiry of our suppliers and represents our current actual knowledge based on the information they provided. This information is subject to change. The part numbers that TE has identified as EU RoHS compliant have a maximum concentration of 0.1% by weight in homogenous materials for lead, hexavalent

chromium, mercury, PBB, PBDE, DBP, BBP, DEHP, DIBP, and 0.01% for cadmium, or qualify for an exemption to these limits as defined in the Annexes of Directive 2011/65/EU (RoHS2). Finished electrical and electronic equipment products will be CE marked as required by Directive 2011/65/EU. Components may not be CE marked. Additionally, the part numbers that TE has identified as EU ELV compliant have a maximum concentration of 0.1% by weight in homogenous materials for lead, hexavalent chromium, and mercury, and 0.01% for cadmium, or qualify for an exemption to these limits as defined in the Annexes of Directive 2000/53/EC (ELV). Regarding the REACH Regulation, the information TE provides on SVHC in articles for this part number is based on the latest European Chemicals Agency (ECHA) 'Guidance on requirements for substances in articles' posted at this URL: <https://echa.europa.eu/guidance-documents/guidance-on-reach>

## Compatible Parts



## Also in the Series | SPLICE



## Customers Also Bought



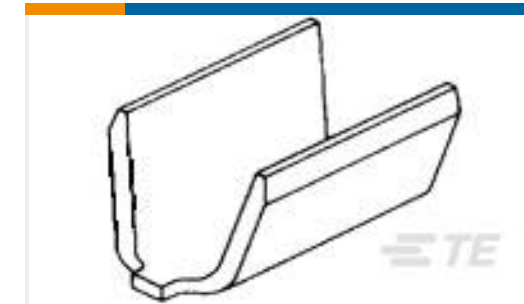
TE Part #521282-2  
ULTRA-POD 250 ASSY REC 18-14  
AWG TPBR



TE Part #521780-1  
250 HSG. PL MKIII REC. 7.11mm 5P  
NAT



TE Part #61299-3  
SPLICE 7000-12500 .031 BR



TE Part #60997-1  
SPLICE 12000-18000 .025 BR



TE Part #1742626-1  
250 FASTON, FLAG, REC., 16-14 AWG,  
NPST



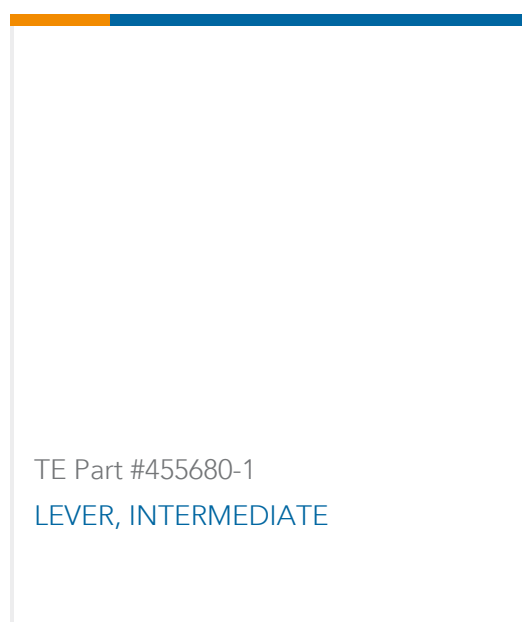
TE Part #52949-3  
PG SPR SPD 22-16 COMM 22-18 MIL 6



TE Part #770005-3  
UMNL II PIN PHBZ, PRE-TIN



TE Part #353148-5  
POSITIVE LOCK 187 HOUSING  
RECEPTACLE



TE Part #455680-1  
LEVER, INTERMEDIATE

## Documents

### Product Drawings

[SPLICE 14000-30000 .030 BR](#)

English

### CAD Files

[3D PDF](#)

3D

Customer View Model

[ENG\\_CVM\\_CVM\\_62754-1\\_V\\_c-62754-1-v.2d\\_dxf.zip](#)

English

Customer View Model

[ENG\\_CVM\\_CVM\\_62754-1\\_V\\_c-62754-1-v.3d\\_igs.zip](#)

English

Customer View Model

[ENG\\_CVM\\_CVM\\_62754-1\\_V\\_c-62754-1-v.3d\\_stp.zip](#)

English

By downloading the CAD file I accept and agree to the [Terms and Conditions](#) of use.



### Product Specifications

#### Application Specification

English

---

### Product Environmental Compliance

#### MD\_62754-1\_101620182336\_dmtec

English

#### MD\_62754-1\_101620182336\_dmtec

English

---

### Agency Approvals

#### CSA Certificate

English

#### CSA Certificate

English