

6274020-1 ✓ ACTIVE

MEAS G Series, OEG Miniature Relay PCF

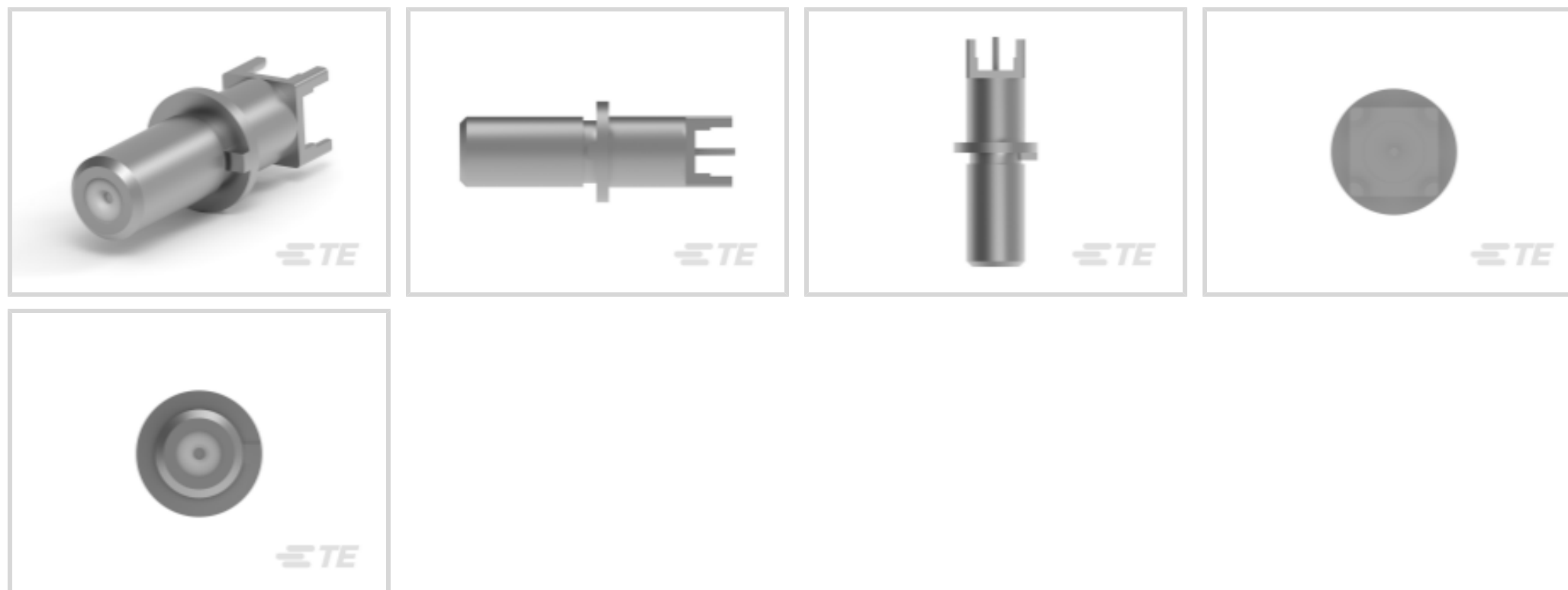
TE Internal #: 6274020-1

F Type RF Interface, Jack, 75 Ω, Push-On, 1 GHz Operating Frequency, Cable-to-Board, 1 Position, Printed Circuit Board, Board Mount, MEAS G Series

[View on TE.com >](#)



Connectors > RF Connectors > Coax Connectors



RF Interface: **F Type**

RF Connector Style: **Jack**

RF Connector Mated Outer Diameter (Approximate): **7.62 mm [.3 in]**

Impedance: **75 Ω**

RF Connector Coupling Mechanism: **Push-On**

Features

Product Type Features

RF Interface	F Type
RF Connector Style	Jack
Connector System	Cable-to-Board
Sealable	No
Connector & Contact Terminates To	Printed Circuit Board

Configuration Features

PCB Mount Orientation	Vertical
Number of Positions	1
Number of Coaxial Contacts	1

Electrical Characteristics

Impedance	75 Ω
-----------	------

Body Features

Body Material	Zinc
Body Material Finish	Matte



Body Plating Material	Tin
-----------------------	-----

Contact Features

RF Connector Center Contact Underplating Material	Nickel
---	--------

RF Connector Center Contact Plating Material	Tin
--	-----

RF Connector Center Contact Material	Phosphor Bronze
--------------------------------------	-----------------

Termination Features

Termination Post & Tail Length	2.92 mm[.115 in]
--------------------------------	------------------

Termination Method to Printed Circuit Board	Through Hole - Solder
---	-----------------------

Mechanical Attachment

RF Connector Coupling Mechanism	Push-On
---------------------------------	---------

Connector Mounting Type	Board Mount
-------------------------	-------------

RF Contact Captivation Method	Mechanical
-------------------------------	------------

Detent	Without
--------	---------

Dimensions

Profile Height from PCB	33.53 mm[1.32 in]
-------------------------	-------------------

RF Connector Mated Outer Diameter (Approximate)	7.62 mm[.3 in]
---	----------------

Usage Conditions

Operating Temperature Range	-55 – 85 °C[-67 – 185 °F]
-----------------------------	---------------------------

Operation/Application

Operating Frequency	1 GHz
---------------------	-------

Packaging Features

Packaging Method	Carton
------------------	--------

Other

RF Connector Comment	Connector will accept center conductor diameter range of .56 – 1.19 [.022 – .047].
----------------------	--

Dielectric Material	Polymethylpentene
---------------------	-------------------

Product Compliance

[For compliance documentation, visit the product page on TE.com>](#)

EU RoHS Directive 2011/65/EU	Compliant
------------------------------	-----------

EU ELV Directive 2000/53/EC	Compliant
-----------------------------	-----------

China RoHS 2 Directive MIIT Order No 32, 2016	No Restricted Materials Above Threshold
---	---



EU REACH Regulation (EC) No. 1907/2006

Current ECHA Candidate List: JUNE 2023 (235)

Candidate List Declared Against: JAN 2020 (205)

Does not contain REACH SVHC

Halogen Content

Low Halogen - Br, Cl, F, I < 900 ppm per homogenous material. Also BFR/CFR/PVC Free

Solder Process Capability

Wave solder capable to 265°C

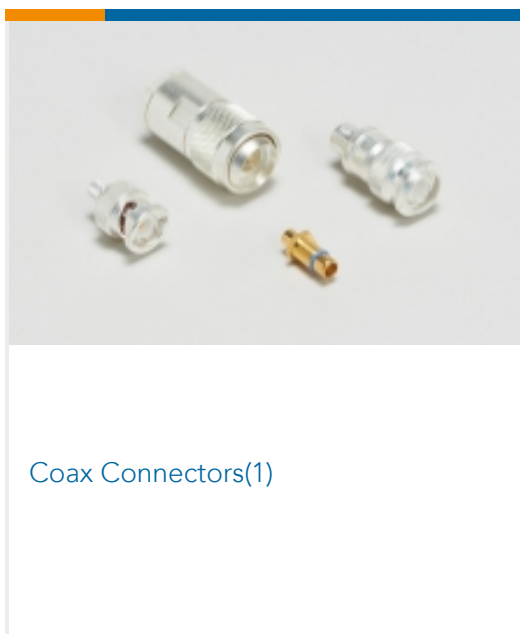
Product Compliance Disclaimer

This information is provided based on reasonable inquiry of our suppliers and represents our current actual knowledge based on the information they provided. This information is subject to change. The part numbers that TE has identified as EU RoHS compliant have a maximum concentration of 0.1% by weight in homogenous materials for lead, hexavalent chromium, mercury, PBB, PBDE, DBP, BBP, DEHP, DIBP, and 0.01% for cadmium, or qualify for an exemption to these limits as defined in the Annexes of Directive 2011/65/EU (RoHS2). Finished electrical and electronic equipment products will be CE marked as required by Directive 2011/65/EU. Components may not be CE marked. Additionally, the part numbers that TE has identified as EU ELV compliant have a maximum concentration of 0.1% by weight in homogenous materials for lead, hexavalent chromium, and mercury, and 0.01% for cadmium, or qualify for an exemption to these limits as defined in the Annexes of Directive 2000/53/EC (ELV). Regarding the REACH Regulation, the information TE provides on SVHC in articles for this part number is based on the latest European Chemicals Agency (ECHA) 'Guidance on requirements for substances in articles' posted at this URL: <https://echa.europa.eu/guidance-documents/guidance-on-reach>

Compatible Parts



Also in the Series | MEAS G Series



Also in the Series | OEG Miniature Relay PCF



Coax Connectors(1)



Combo Jacks(1)



IDC D-Sub Connectors(1)



Mini PCI Express & mSATA(1)



RJ14 Connectors(2)



RJ22 Connectors(1)



RJ25 Connectors(8)



RJ45 Connectors(69)



Wire-to-Board Connector Contacts(1)

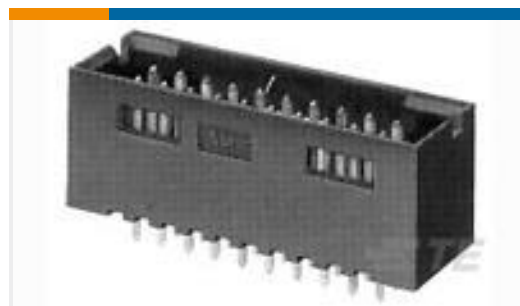
Customers Also Bought



TE Part #5767007-8
MICT,260PLUG,38,ASSY,.025,REC



TE Part #4-794630-8
18P MICRO MNL ASSY,VRT,HDR,LF



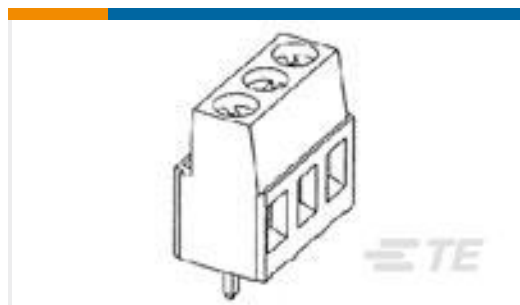
TE Part #5-102619-1
06 MODII HDR DRST SHRD .100CL



TE Part #5-794630-2
22P MICRO MNL ASSY,VRT,HDR,LF



TE Part #5555165-1
M/J, LPF, R/A, 6P/6C, TIN, BUL



TE Part #282841-8
TERMI-BLOK PCB MOUNT 8P. 5



TE Part #1-2176308-2
RP 1E 0.1W 174K 0.1% 25PPM 5K RL



TE Part #4-2176364-3
RQ 0402 12K7 0.1% 10PPM 5K RL



Documents

Product Drawings

[JACK, VERTICAL, PCB, F SERIES](#)

English

CAD Files

[3D PDF](#)

English

Customer View Model

[ENG_CVM_6274020-1_A.2d_dxf.zip](#)

English

Customer View Model

[ENG_CVM_6274020-1_A.3d_igs.zip](#)

English

Customer View Model

[ENG_CVM_6274020-1_A.3d_stp.zip](#)

English

By downloading the CAD file I accept and agree to the [Terms and Conditions](#) of use.

Datasheets & Catalog Pages

[F Series and G Series Connectors](#)

English