

62739-1 ✓ ACTIVE



SHUR-PLUG 180

TE Internal #: 62739-1

Crimp Wire Pins, Tabs & Ferrules, Shur-Plug, Mating Pin Diameter

4.57 mm [.18 in], 18 – 14 AWG Wire Size, .8 – 2 mm² Wire Size,

SHUR-PLUG 180

[View on TE.com >](#)

Terminals & Splices > Crimp Wire Pins, Tabs & Ferrules



Crimp Wire Terminal Type: **Shur-Plug**

Mating Pin Diameter: **4.57 mm [.18 in]**

Compatible Insulation Diameter Range: **2.29 – 3.17 mm, 3.17 mm [.09 – .125 in, .125 in]**

Wire Size: **.8 – 2 mm²**

Features

Product Type Features

Compatible With Discrete Wire Type	Solid, Stranded
------------------------------------	-----------------

Configuration Features

Compatible With Wire & Cable Type	Discrete Wire
-----------------------------------	---------------

Contact Features

Crimp Wire Terminal Type	Shur-Plug
Mating Pin Diameter	4.57 mm [.18 in]
Barrel Type	Open
Terminal Plating Material	Pre-Tin
Terminal Orientation	Straight

Mechanical Attachment

Wire Insulation Support	With
-------------------------	------

Dimensions

Compatible Insulation Diameter Range	2.29 – 3.17 mm, 3.17 mm [.09 – .125 in][.125 in]
--------------------------------------	--



Wire Size	1624 – 4106 CMA
Barrel Inside Diameter	1.65 mm, 2.66 mm [.065 in][.105 in]
Terminal Material Thickness	.46 mm [.018 in]
Overall Product Length	18.92 mm [.745 in]

Usage Conditions

Insulation Option	Uninsulated
Operating Temperature Range	-40 – 105 °C [-40 – 221 °F]

Packaging Features

Packaging Quantity	12000
Packaging Method	Reel

Other

Terminals & Splices Comment	Can be molded.
-----------------------------	----------------

Product Compliance

[For compliance documentation, visit the product page on TE.com>](#)

EU RoHS Directive 2011/65/EU	Compliant
EU ELV Directive 2000/53/EC	Compliant
China RoHS 2 Directive MIIT Order No 32, 2016	No Restricted Materials Above Threshold
EU REACH Regulation (EC) No. 1907/2006	Current ECHA Candidate List: JUNE 2023 (235) Candidate List Declared Against: JUNE 2023 (235) Does not contain REACH SVHC
Halogen Content	Low Halogen - Br, Cl, F, I < 900 ppm per homogenous material. Also BFR/CFR/PVC Free
Solder Process Capability	Not applicable for solder process capability

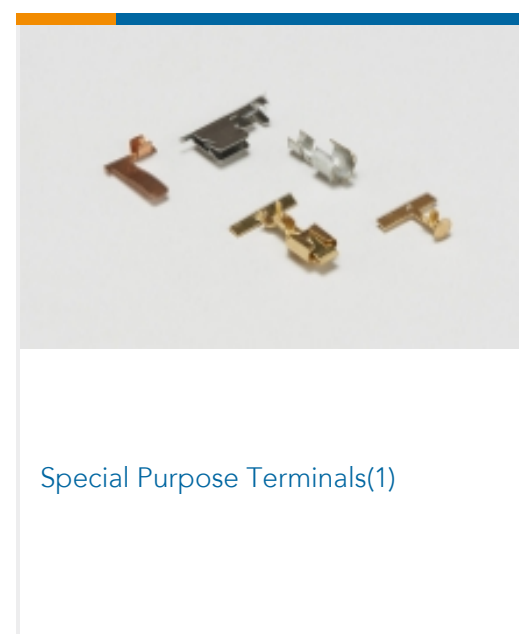
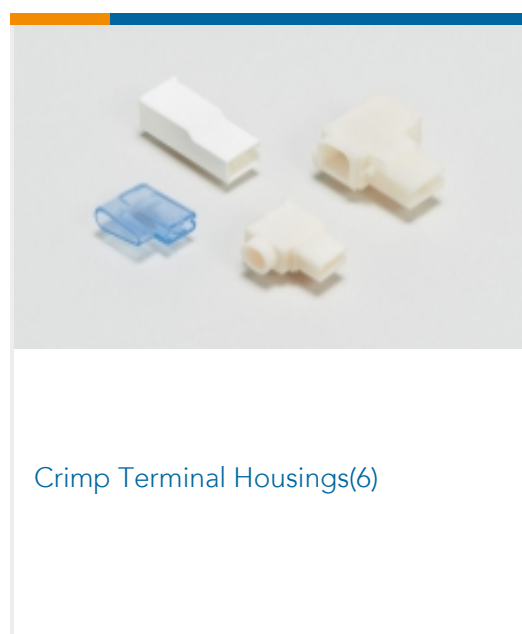
Product Compliance Disclaimer

This information is provided based on reasonable inquiry of our suppliers and represents our current actual knowledge based on the information they provided. This information is subject to change. The part numbers that TE has identified as EU RoHS compliant have a maximum concentration of 0.1% by weight in homogenous materials for lead, hexavalent chromium, mercury, PBB, PBDE, DBP, BBP, DEHP, DIBP, and 0.01% for cadmium, or qualify for an exemption to these limits as defined in the Annexes of Directive 2011/65/EU (RoHS2). Finished electrical and electronic equipment products will be CE marked as required by Directive 2011/65/EU. Components may not be CE marked. Additionally, the part numbers that TE has identified as EU ELV compliant have a maximum concentration of 0.1% by weight in homogenous materials for lead, hexavalent chromium, and mercury, and 0.01% for cadmium, or qualify for an exemption to these limits as defined in the Annexes of Directive 2000/53/EC (ELV). Regarding the REACH Regulation, the information TE provides on SVHC in articles for this part number is based on the latest European Chemicals Agency (ECHA) 'Guidance on requirements for substances in articles' posted at this URL: <https://echa.europa.eu/guidance-documents/guidance-on-reach>

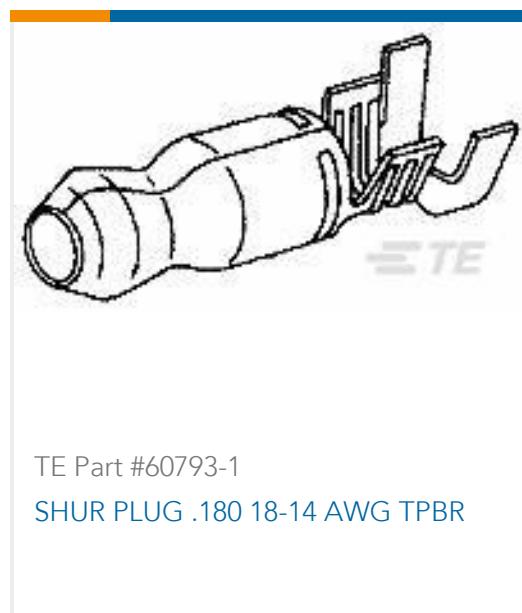
Compatible Parts



Also in the Series | SHUR-PLUG 180



Customers Also Bought



Documents

Product Drawings

[SHUR PLUG .180 18-14 AWG PTPBR](#)

English

CAD Files

[3D PDF](#)

3D

Customer View Model

[ENG_CVM_CVM_62739-1_G_c-62739-1-g.2d_dxf.zip](#)

English

Customer View Model

[ENG_CVM_CVM_62739-1_G_c-62739-1-g.3d_igs.zip](#)

English

Customer View Model

[ENG_CVM_CVM_62739-1_G_c-62739-1-g.3d_stp.zip](#)

English

By downloading the CAD file I accept and agree to the [Terms and Conditions](#) of use.

Product Specifications



Application Specification

English

Product Environmental Compliance

Product Compliance

English

Product Compliance

English