

62718-1 ✓ ACTIVE

FASTON | FASTON 250

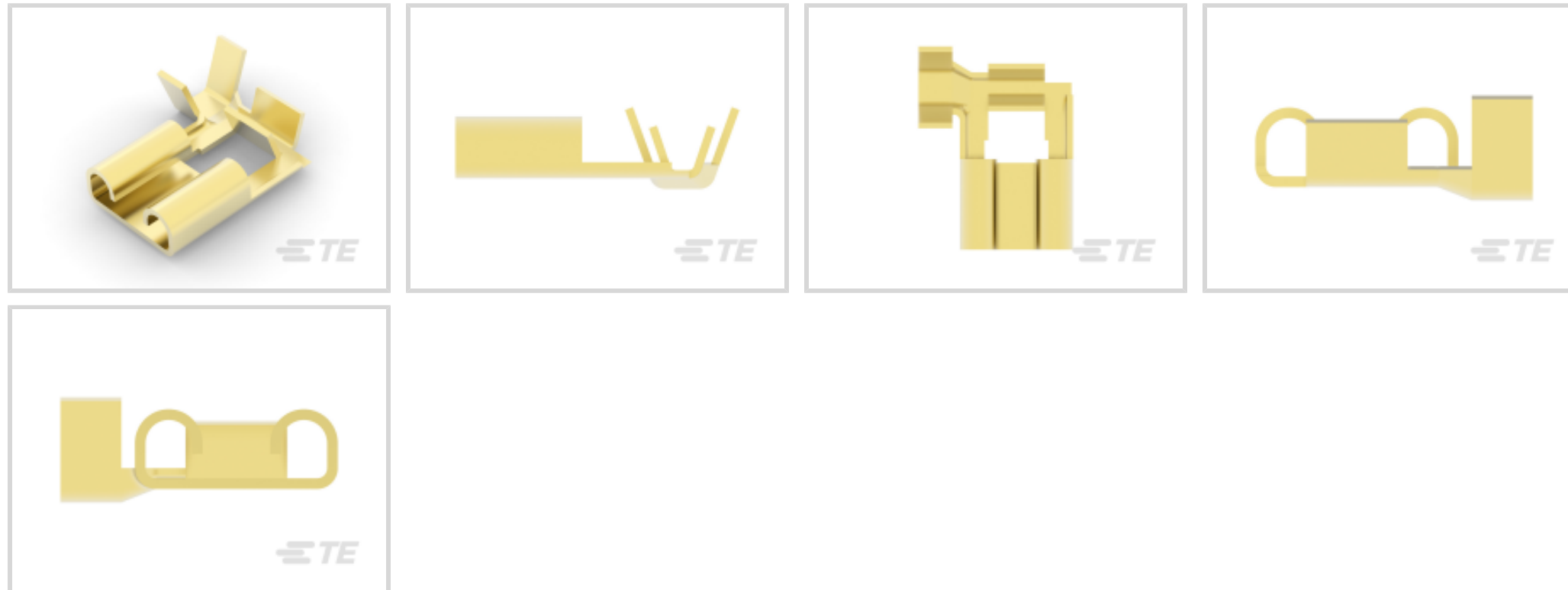
TE Internal #: 62718-1

Quick Disconnects, Receptacle, 22 – 18 AWG Wire Size, .32 – .82 mm<sup>2</sup> Wire Size, Mating Tab Width 6.35 mm [.25 in], Flag, Brass, FASTON 250

[View on TE.com >](#)



Terminals & Splices > Quick Disconnects



Quick Disconnect Terminal Type: **Receptacle**

Wire Size: .32 – .82 mm<sup>2</sup>

Mating Tab Width: 6.35 mm [.25 in]

Mating Tab Thickness: .81 mm [.032 in]

## Features

### Product Type Features

Insertion Force	Normal
-----------------	--------

### Configuration Features

Connection Capacity	Single
Compatible With Wire & Cable Type	Discrete Wire

### Contact Features

Quick Disconnect Terminal Type	Receptacle
Mating Tab Width	6.35 mm [.25 in]
Mating Tab Thickness	.81 mm [.032 in]
Terminal Orientation	Flag
Contact Base Material	Brass
Terminal Plating Material	Unplated
Crimp Type	F-Crimp
Barrel Type	Open

### Termination Features



Product Terminates To	Wire & Cable
-----------------------	--------------

### Mechanical Attachment

Wire Insulation Support	With
-------------------------	------

Mating Retention Type	Dimple
-----------------------	--------

### Dimensions

Terminal Material Thickness	.41 mm[.016 in]
-----------------------------	-----------------

Product Length	13.72 mm[.54 in]
----------------	------------------

Compatible Insulation Diameter Range	1.52 – 2.54 mm[.06 – .1 in]
--------------------------------------	-----------------------------

Wire Size	.32 – .82 mm <sup>2</sup>
-----------	---------------------------

### Usage Conditions

Insulation Option	Uninsulated
-------------------	-------------

Operating Temperature Range	-40 – 110 °C[-40 – 230 °F]
-----------------------------	----------------------------

### Industry Standards

Agency/Standard	CSA, UL
-----------------	---------

### Packaging Features

Packaging Quantity	11000
--------------------	-------

Packaging Method	Strip/Reel
------------------	------------

### Other

Line	Budget
------	--------

Terminals & Splices Comment	Right handed flag.
-----------------------------	--------------------

### Product Compliance

[For compliance documentation, visit the product page on TE.com>](#)

EU RoHS Directive 2011/65/EU	Compliant
------------------------------	-----------

EU ELV Directive 2000/53/EC	Compliant
-----------------------------	-----------

China RoHS 2 Directive MIIT Order No 32, 2016	No Restricted Materials Above Threshold
---	---

EU REACH Regulation (EC) No. 1907/2006	Current ECHA Candidate List: JUNE 2023 (235) Candidate List Declared Against: JUNE 2023 (235) Does not contain REACH SVHC
--	---

Halogen Content	Low Halogen - Br, Cl, F, I < 900 ppm per homogenous material. Also BFR/CFR/PVC Free
-----------------	---

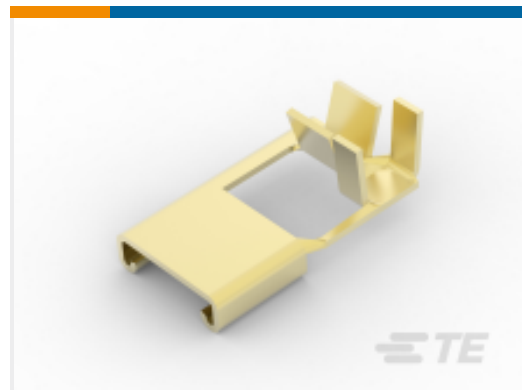
Solder Process Capability

Not applicable for solder process capability

## Product Compliance Disclaimer

This information is provided based on reasonable inquiry of our suppliers and represents our current actual knowledge based on the information they provided. This information is subject to change. The part numbers that TE has identified as EU RoHS compliant have a maximum concentration of 0.1% by weight in homogenous materials for lead, hexavalent chromium, mercury, PBB, PBDE, DBP, BBP, DEHP, DIBP, and 0.01% for cadmium, or qualify for an exemption to these limits as defined in the Annexes of Directive 2011/65/EU (RoHS2). Finished electrical and electronic equipment products will be CE marked as required by Directive 2011/65/EU. Components may not be CE marked. Additionally, the part numbers that TE has identified as EU ELV compliant have a maximum concentration of 0.1% by weight in homogenous materials for lead, hexavalent chromium, and mercury, and 0.01% for cadmium, or qualify for an exemption to these limits as defined in the Annexes of Directive 2000/53/EC (ELV). Regarding the REACH Regulation, the information TE provides on SVHC in articles for this part number is based on the latest European Chemicals Agency (ECHA) 'Guidance on requirements for substances in articles' posted at this URL: <https://echa.europa.eu/guidance-documents/guidance-on-reach>

## Compatible Parts



TE Part # 62418-1  
250 FASTON FLAG REC 22-16 AWG  
BR



TE Part # 626089-1  
250 FASTON FLAG REC 22-18 AWG  
BR



TE Part # 2-2150131-1  
OCEAN\_2.0\_Applicator-S-090F140F



TE Part # 2-2150131-2  
OCEAN\_2.0\_Applicator-S-090F140F



TE Part # 2150131-1  
OCEAN\_2.0\_Applicator-S-090F140F



TE Part # 2150131-2  
OCEAN\_2.0\_Applicator-S-090F140F



TE Part # 7-2150131-1  
OCEAN\_2.0\_Applicator-S-090F140F



TE Part # 7-2150131-2  
OCEAN\_2.0\_Applicator-S-090F140F

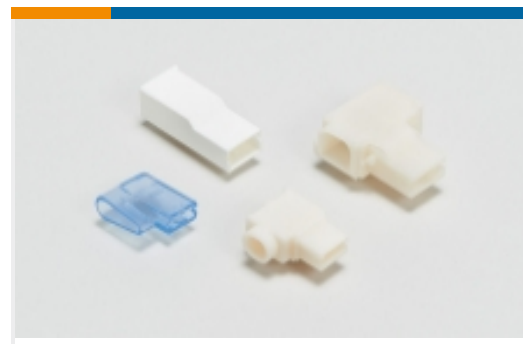


TE Part # 7-2150131-7  
OCEAN\_2.0\_SPARE\_PART\_KIT-  
090F140F

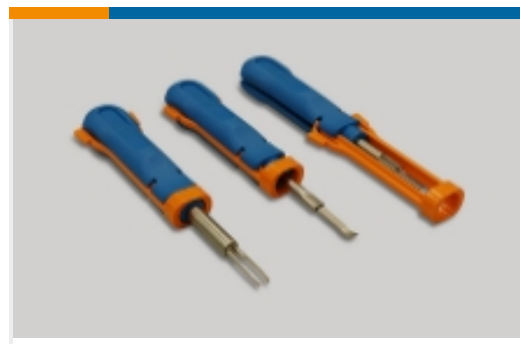
Also in the Series | **FASTON 250**



Compression Connectors(4)



Crimp Terminal Housings(142)



Insertion & Extraction Tools(6)



Magnet Wire Terminals(1)



PCB Terminals(135)

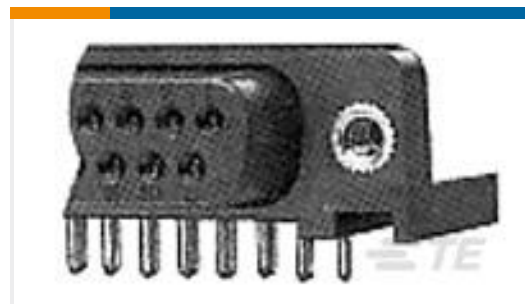


Quick Disconnects(445)

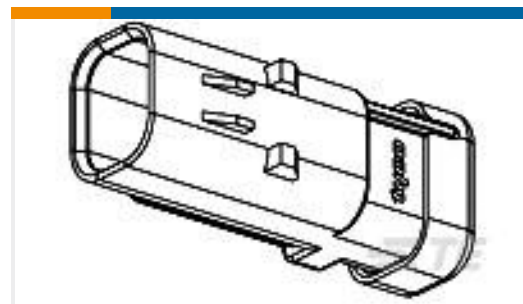


Splices(4)

## Customers Also Bought



TE Part #5788798-1  
15 HTMSFL ASSY RA 318 (IN,BL)



TE Part #776430-1  
AS 16, 3P CAP ASSY, KEY 1



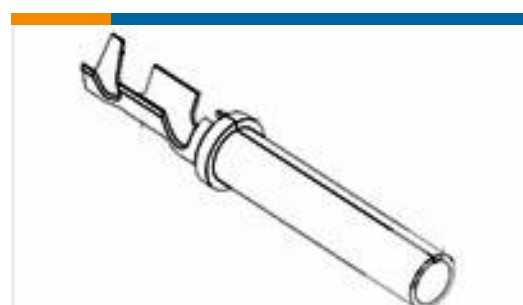
TE Part #3-1393788-7  
V23079B1205B301



TE Part #5-1393144-7  
K10P-11D15-24=K10/K20



TE Part #1-1419106-9  
27E487=SOCKET,K10,8,SCW,PHEN,G



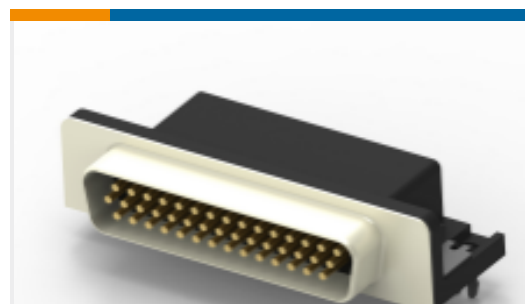
TE Part #776297-1  
ASSEMBLY SOCKET LOOSE PC GOLD



TE Part #1-1904045-5  
V23333Z1001B045-EV-100



TE Part #6-1393292-3  
V23074A2002A403-EV-CBOX



TE Part #2311777-1  
AMPL PLUG, HD22, R/A, 44P, THREADED

## Documents



## Product Drawings

### 250 FASTON FLAG REC 22-18 AWG BR

English

---

## CAD Files

### Customer View Model

[ENG\\_CVM\\_CVM\\_62718-1\\_Z.2d\\_dxf.zip](#)

English

### 3D PDF

3D

### Customer View Model

[ENG\\_CVM\\_CVM\\_62718-1\\_Z.3d\\_igs.zip](#)

English

### Customer View Model

[ENG\\_CVM\\_CVM\\_62718-1\\_Z.3d\\_stp.zip](#)

English

By downloading the CAD file I accept and agree to the [Terms and Conditions](#) of use.

---

## Datasheets & Catalog Pages

### 82004 FASTON Terminals (Insulated and Uninsulated) Catalog - FASTON Receptacles Section

English

---

## Product Specifications

### Application Specification

English

---

## Product Environmental Compliance

### TE Material Declaration

English

---

## Agency Approvals

### CSA Certificate

English

### CSA Certificate

English