

62657-1 ✓ ACTIVE

MAG-MATE

TE Internal #: 62657-1

Magnet Wire Terminals, Tab, Mating Tab Width .25 in [6.35 mm],

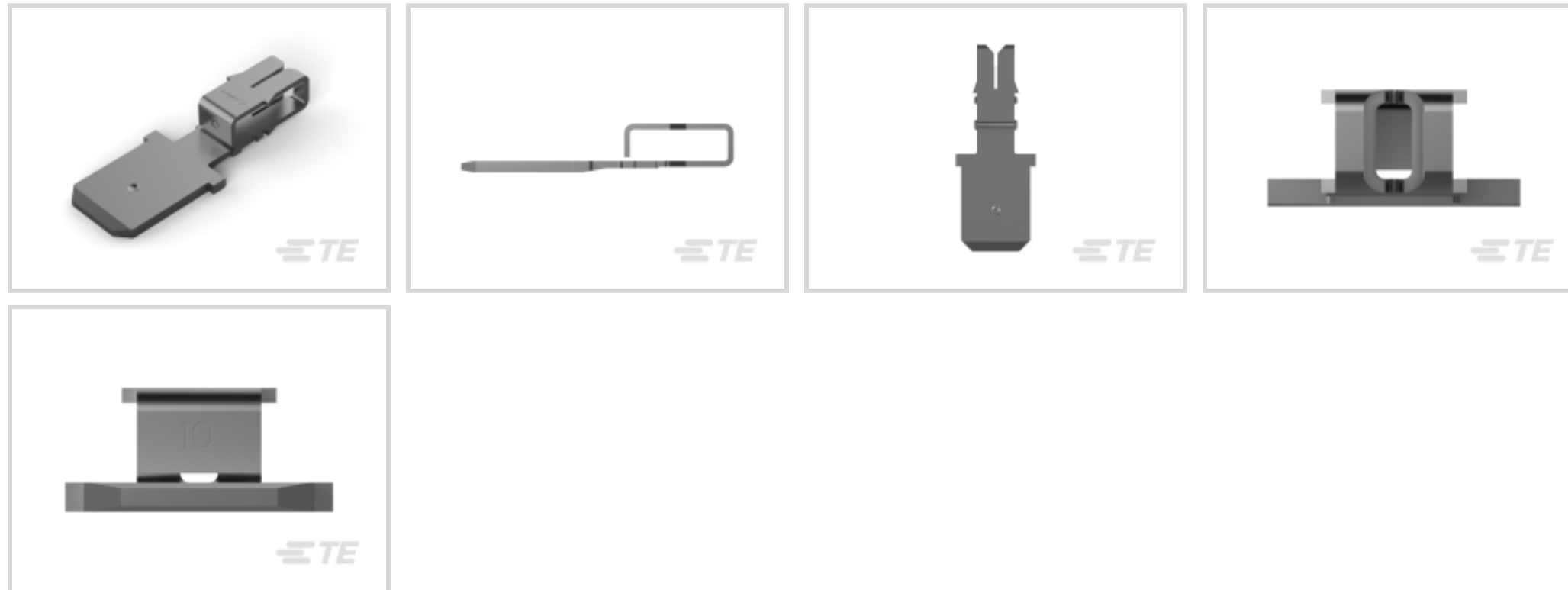
Size 2, .36 – .57 mm Magnet Wire, 27 – 23 AWG Magnet Wire,

MAG-MATE

[View on TE.com >](#)



Terminals & Splices > Magnet Wire Terminals



Magnet Wire Terminal Type: **Tab**

Mating Tab Width: **6.35 mm [.25 in]**

Mating Tab Thickness: **.8 mm [.033 in]**

Compatible With Cavity Size: **Size 2**

Magnet Wire Size: **27 – 23 AWG**

Features

Product Type Features

Compatible With Discrete Wire Type

Magnet Wire, Solid

Body Features

Compatible With Cavity Size

Size 2

Contact Features

Magnet Wire Terminal Type

Tab

Mating Tab Width

6.35 mm [.25 in]

Mating Tab Thickness

.8 mm [.033 in]

Terminal Plating Material

Tin

Terminal Orientation

Straight

Termination Features

Termination Method to Wire & Cable

Insulation Displacement (IDC)

Mechanical Attachment

Mating Retention Type

Dimple



Dimensions

Terminal Height	7.62 mm[.3 in]
Magnet Wire Size	.36 – .57 mm
Stock Thickness (Magnet Wire Side)	.41 mm[.016 in]
Product Length	18.97 mm[.746 in]

Usage Conditions

Insulation Option	Uninsulated
Operating Temperature Range	-65 – 150 °C[-85 – 302 °F]

Operation/Application

Compatible With Wire Base Material	Aluminum, Copper
------------------------------------	------------------

Identification Marking

Identification Number	10
-----------------------	----

Packaging Features

Packaging Quantity	1000
Packaging Method	Bag

Other

Terminals & Splices Comment	After insertion into plastic cavity, tab portion must be bent over 45°-90° or potted in to prevent pullout when mating receptacle is disconnected., Two magnet wires may be terminated in the same terminal slot if diameters are equal.
-----------------------------	--

Product Compliance

For compliance documentation, visit the product page on [TE.com](https://www.te.com)>

EU RoHS Directive 2011/65/EU	Compliant
EU ELV Directive 2000/53/EC	Compliant
China RoHS 2 Directive MIIT Order No 32, 2016	No Restricted Materials Above Threshold
EU REACH Regulation (EC) No. 1907/2006	Current ECHA Candidate List: JUNE 2023 (235) Candidate List Declared Against: JUNE 2023 (235) Does not contain REACH SVHC
Halogen Content	Low Halogen - Br, Cl, F, I < 900 ppm per homogenous material. Also BFR/CFR/PVC Free


Solder Process Capability

Not applicable for solder process capability

Product Compliance Disclaimer

This information is provided based on reasonable inquiry of our suppliers and represents our current actual knowledge based on the information they provided. This information is subject to change. The part numbers that TE has identified as EU RoHS compliant have a maximum concentration of 0.1% by weight in homogenous materials for lead, hexavalent chromium, mercury, PBB, PBDE, DBP, BBP, DEHP, DIBP, and 0.01% for cadmium, or qualify for an exemption to these limits as defined in the Annexes of Directive 2011/65/EU (RoHS2). Finished electrical and electronic equipment products will be CE marked as required by Directive 2011/65/EU. Components may not be CE marked. Additionally, the part numbers that TE has identified as EU ELV compliant have a maximum concentration of 0.1% by weight in homogenous materials for lead, hexavalent chromium, and mercury, and 0.01% for cadmium, or qualify for an exemption to these limits as defined in the Annexes of Directive 2000/53/EC (ELV). Regarding the REACH Regulation, the information TE provides on SVHC in articles for this part number is based on the latest European Chemicals Agency (ECHA) 'Guidance on requirements for substances in articles' posted at this URL: <https://echa.europa.eu/guidance-documents/guidance-on-reach>

Compatible Parts

 <p>TE Part # 62652-1 MAG-MATE 250FTAB 27-23 016TPBR</p>	 <p>TE Part # 63571-1 MAG-MATE 250 F-TAB 27-23 TPBR</p>	 <p>TE Part # 62651-1 MAG-MATE 250FTAB 30-27 013TPBR</p>	 <p>TE Part # 63571-2 TAB 250 FASTON MAG-MATE</p>
 <p>TE Part # 62652-2 MAG-MATE 250FTAB 27-23 016TPBR</p>	 <p>TE Part # 63920-1 MAG-MATE 250F TAB 27-23 TPBR</p>	 <p>TE Part # 1217041-1 TAB, POKE IN PCB 020 TPCUBR</p>	 <p>TE Part # 62653-1 MAG-MATE 250FTAB 22-20 016TPBR</p>
 <p>TE Part # 62653-2 MAG-MATE 250FTAB 22-20 016TPB</p>	 <p>TE Part # 62653-3 MAG-MATE 250FTAB 22-20 TPBR</p>	 <p>TE Part # 62655-1 MAG-MATE 250FTAB 32-31 010TPBR</p>	 <p>TE Part # 62658-1 MAG-MATE 250FTAB 22-20 016TPBR</p>

Also in the Series | **MAG-MATE**



Insertion & Extraction Tools(6)

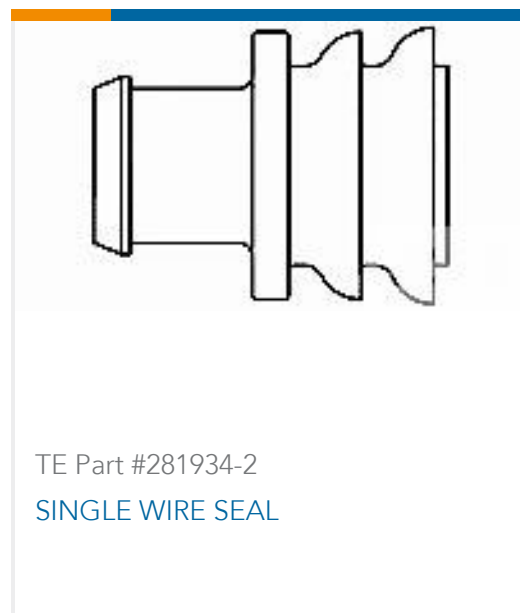


Magnet Wire Terminals(435)



PCB Terminals(1)

Customers Also Bought

TE Part #DT04-2P
REC, 2P, GRY, NTE Part #DT06-2S
PLG, 2P, GRY, NTE Part #W2P
Wedgelocks: DEUTSCH DTTE Part #0462-201-16141
DEUTSCH Solid ContactsTE Part #282080-1
AMP SUPERSEAL 1.5MM,
CONNECTOR HOUSINGTE Part #281934-2
SINGLE WIRE SEALTE Part #114017-ZZ
SEALING PLUG, SIZE 12/16, WHT

Documents

Product Drawings

[MAG-MATE 250FTAB 27-23 016TPBR](#)

English

CAD Files

[3D PDF](#)

3D

Customer View Model

[ENG_CVM_CVM_62657-1_F.2d_dxf.zip](#)

English

Customer View Model

[ENG_CVM_CVM_62657-1_F.3d_igs.zip](#)

English

Customer View Model

[ENG_CVM_CVM_62657-1_F.3d_stp.zip](#)

English

By downloading the CAD file I accept and agree to the [Terms and Conditions](#) of use.



Datasheets & Catalog Pages

Magnet Wire Terminals & Splices

English

Product Specifications

Application Specification

English

Product Environmental Compliance

TE Material Declaration

English