

ELECTRO-TAP

TE Internal #: 626437-4

Splices, Tap Splice, 20 – 18 AWG Wire Size, .5 – .8 mm² Wire Size, Red, Length .688 in [17.5 mm], Box, Stranded Wire, Discrete Wire, ELECTRO-TAP

[View on TE.com >](#)

Terminals & Splices > Splices

Wire Size: .5 – .8 mm²

Sealable: No

Compatible Insulation Diameter Range: 4 mm [.157 in]

Primary Product Color: Red

Features

Product Type Features

Sealable	No
Splice Type	Tap Splice
Compatible With Discrete Wire Type	Stranded
Wire Insulation Support Retention Type	Insulation Support

Configuration Features

Compatible With Wire & Cable Type	Discrete Wire
-----------------------------------	---------------

Body Features

Primary Product Color	Red
-----------------------	-----

Contact Features

Terminal Plating Thickness	2.54 – 5.08 μm [100 – 200 μin]
Terminal Plating Material	Tin

Termination Features

Termination Method to Wire & Cable	Crimp
------------------------------------	-------

Mechanical Attachment



Wire Insulation Support	Without
-------------------------	---------

Housing Features

Housing Material	Nylon 6/6
------------------	-----------

Dimensions

Tap Wire Size	.5 – .8 mm ²
---------------	-------------------------

Wire Size	.5 – .8 mm ²
-----------	-------------------------

Compatible Insulation Diameter Range	4 mm [.157 in]
--------------------------------------	----------------

Product Length	17.5 mm [.688 in]
----------------	-------------------

Usage Conditions

Insulation Option	Fully Insulated
-------------------	-----------------

Operating Temperature Range	105 °C [221 °F]
-----------------------------	-----------------

Industry Standards

Government Qualified Splice	No
-----------------------------	----

Packaging Features

Packaging Quantity	100
--------------------	-----

Packaging Method	Box
------------------	-----

Product Compliance

[For compliance documentation, visit the product page on TE.com>](#)

EU RoHS Directive 2011/65/EU	Compliant
------------------------------	-----------

EU ELV Directive 2000/53/EC	Compliant
-----------------------------	-----------

China RoHS 2 Directive MIIT Order No 32, 2016	No Restricted Materials Above Threshold
---	---

EU REACH Regulation (EC) No. 1907/2006	Current ECHA Candidate List: JUNE 2023 (235) Candidate List Declared Against: DEC 2010 (44) SVHC > Threshold: Not Yet Reviewed
--	---

Halogen Content	Low Halogen - Br, Cl, F, I < 900 ppm per homogenous material. Also BFR/CFR/PVC Free
-----------------	---

Solder Process Capability	Not applicable for solder process capability
---------------------------	--

Product Compliance Disclaimer

This information is provided based on reasonable inquiry of our suppliers and represents our current actual knowledge based on the information they provided. This information is subject to change. The part numbers that TE has identified as

EU RoHS compliant have a maximum concentration of 0.1% by weight in homogenous materials for lead, hexavalent chromium, mercury, PBB, PBDE, DBP, BBP, DEHP, DIBP, and 0.01% for cadmium, or qualify for an exemption to these limits as defined in the Annexes of Directive 2011/65/EU (RoHS2). Finished electrical and electronic equipment products will be CE marked as required by Directive 2011/65/EU. Components may not be CE marked. Additionally, the part numbers that TE has identified as EU ELV compliant have a maximum concentration of 0.1% by weight in homogenous materials for lead, hexavalent chromium, and mercury, and 0.01% for cadmium, or qualify for an exemption to these limits as defined in the Annexes of Directive 2000/53/EC (ELV). Regarding the REACH Regulation, the information TE provides on SVHC in articles for this part number is based on the latest European Chemicals Agency (ECHA) 'Guidance on requirements for substances in articles' posted at this URL: <https://echa.europa.eu/guidance-documents/guidance-on-reach>

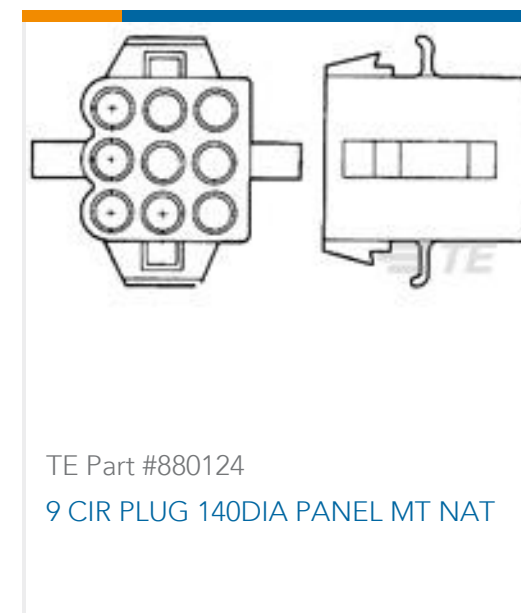
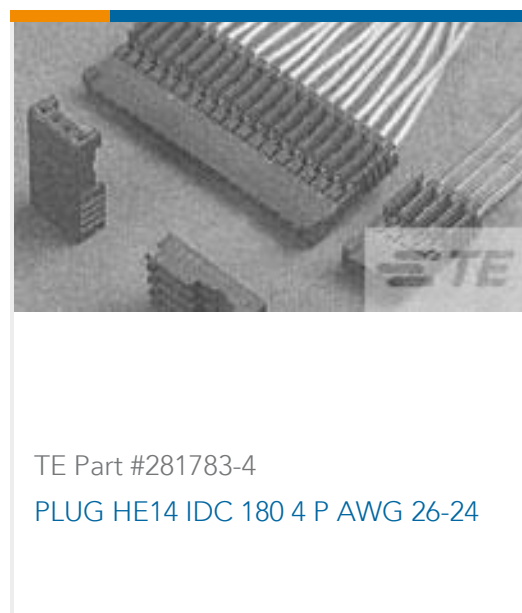
Compatible Parts

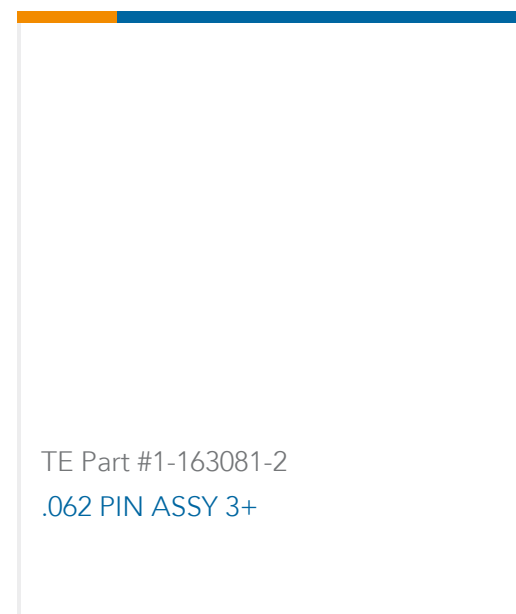


Also in the Series | ELECTRO-TAP



Customers Also Bought





Documents

Product Drawings

ELCETRO TAP ASSY

English

CAD Files

Customer View Model

[ENG_CVM_626437-4_E.3d_igs.zip](#)

English

Customer View Model

[ENG_CVM_626437-4_E.3d_stp.zip](#)

English

Customer View Model

[ENG_CVM_626437-4_E.2d_dxf.zip](#)

English

3D PDF

English

By downloading the CAD file I accept and agree to the [Terms and Conditions](#) of use.

Datasheets & Catalog Pages

ELECTRO-TAP CABLE CONNECTOR/SPLICE

English