

62627-3 ✓ ACTIVE

FASTON | FASTON 250

TE Internal #: 62627-3

PCB Terminals, Tab, Mating Tab Width .25 in [6.35 mm], PCB Hole

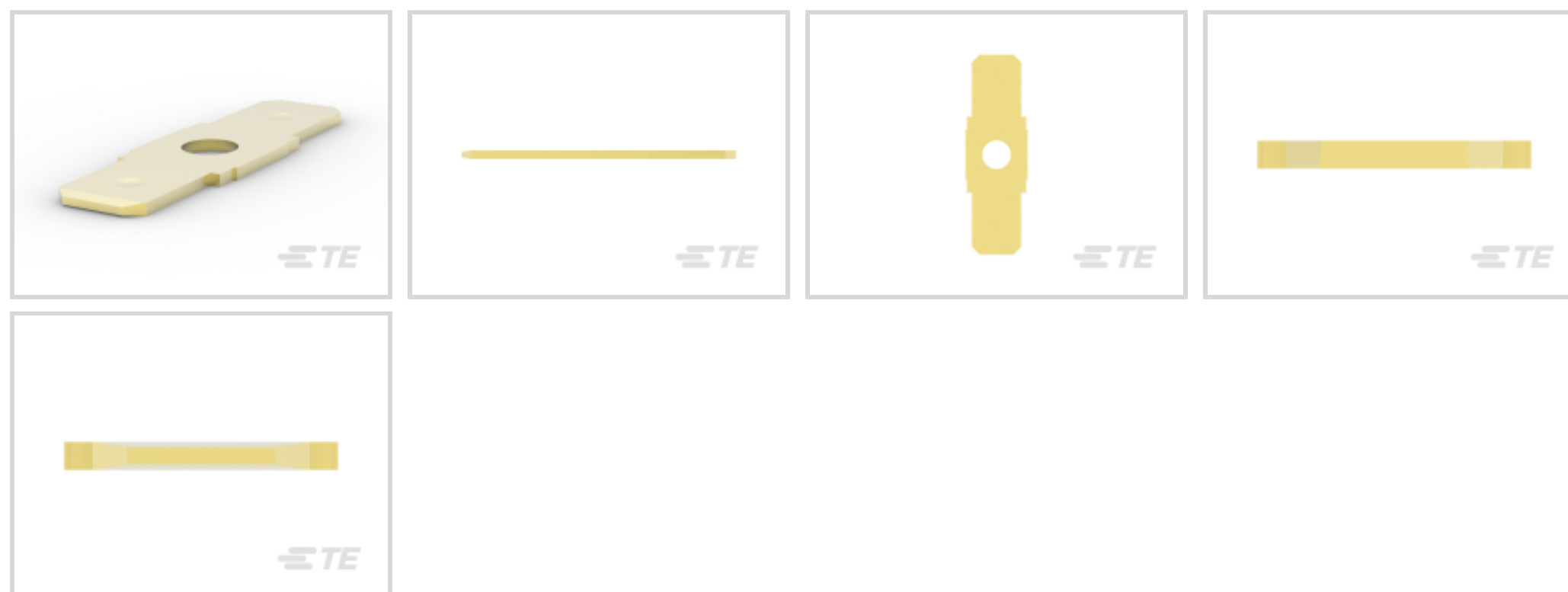
Diameter 3.68 mm [.145 in], Through Hole - Screw, Unplated

Plating, None, FASTON 250

[View on TE.com >](#)



Terminals & Splices > PCB Terminals



PCB Terminal Type: **Tab**

Mating Tab Width: **6.35 mm [.25 in]**

Mating Tab Thickness: **.81 mm [.032 in]**

PCB Hole Diameter: **3.68 mm [.145 in]**

Termination Method to Printed Circuit Board: **Through Hole - Screw**

Features

Product Type Features

Terminal Features	Stud Hole
Insertion Force	Normal

Contact Features

PCB Terminal Type	Tab
Mating Tab Width	6.35 mm[.25 in]
Mating Tab Thickness	.81 mm[.032 in]
Terminal Plating Material	Unplated
Contact Underplating Material	None
Terminal Size	6.35
Terminal Orientation	Straight

Termination Features

Termination Method to Printed Circuit Board	Through Hole - Screw
Product Terminates To	Printed Circuit Board

Dimensions



Stud Diameter	3.68 mm [.145 in]
PCB Hole Diameter	3.68 mm [.145 in]

Usage Conditions

Insulation Option	Uninsulated
Operating Temperature Range	-40 – 105 °C [-40 – 221 °F]

Packaging Features

Packaging Quantity	1000
Packaging Method	Bag

Product Compliance

For compliance documentation, visit the product page on [TE.com](https://www.te.com)>

EU RoHS Directive 2011/65/EU	Compliant
EU ELV Directive 2000/53/EC	Compliant
China RoHS 2 Directive MIIT Order No 32, 2016	No Restricted Materials Above Threshold
EU REACH Regulation (EC) No. 1907/2006	Current ECHA Candidate List: JUNE 2023 (235) Candidate List Declared Against: JUNE 2023 (235) Does not contain REACH SVHC
Halogen Content	Low Halogen - Br, Cl, F, I < 900 ppm per homogenous material. Also BFR/CFR/PVC Free
Solder Process Capability	Not applicable for solder process capability

Product Compliance Disclaimer

This information is provided based on reasonable inquiry of our suppliers and represents our current actual knowledge based on the information they provided. This information is subject to change. The part numbers that TE has identified as EU RoHS compliant have a maximum concentration of 0.1% by weight in homogenous materials for lead, hexavalent chromium, mercury, PBB, PBDE, DBP, BBP, DEHP, DIBP, and 0.01% for cadmium, or qualify for an exemption to these limits as defined in the Annexes of Directive 2011/65/EU (RoHS2). Finished electrical and electronic equipment products will be CE marked as required by Directive 2011/65/EU. Components may not be CE marked. Additionally, the part numbers that TE has identified as EU ELV compliant have a maximum concentration of 0.1% by weight in homogenous materials for lead, hexavalent chromium, and mercury, and 0.01% for cadmium, or qualify for an exemption to these limits as defined in the Annexes of Directive 2000/53/EC (ELV). Regarding the REACH Regulation, the information TE provides on SVHC in articles for this part number is based on the latest European Chemicals Agency (ECHA) 'Guidance on requirements for substances in articles' posted at this URL: <https://echa.europa.eu/guidance-documents/guidance-on-reach>

Compatible Parts




TE Part # 63038-1
250 FASTON TAB TPBR



TE Part # 62627-2
250 FASTON TAB BR



TE Part # 62627-1
250 FASTON TAB TPST



TE Part # 60920-5
187 FASTON TAB TPBR



TE Part # 60922-5
FASTON .205 SERIES (5.2 MM) TAB TPST



TE Part # 60920-1
187 FASTON TAB BR



TE Part # 63274-1
250 FASTON TAB BR



TE Part # 140736-2
250 FASTON, TAB, TPBR



TE Part # 60921-1
205 FASTON SERIES TAB BR



TE Part # 60922-1
205 FASTON SERIES TAB BR



TE Part # 63274-3
250 FASTON TAB BR




TE Part # 2392417-1
187 PL MII, REC., 22-18 AWG, PTBR




TE Part # 2390259-1
187 PL MII, REC., 16-14AWG, PTBR


Also in the Series | **FASTON 250**



Compression Connectors(4)



Crimp Terminal Housings(142)



Insertion & Extraction Tools(6)



Magnet Wire Terminals(1)



PCB Terminals(135)



Quick Disconnects(445)



Splices(4)

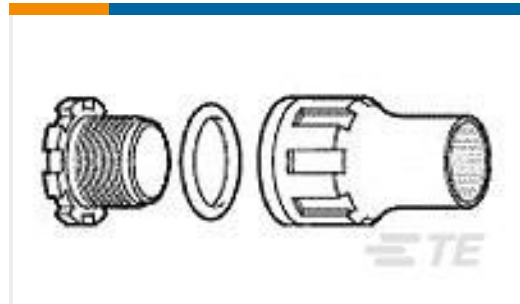
Customers Also Bought



TE Part #829131P021
ES2000-NO.1-C1-0-STK



TE Part #204510-1
RECEPT ASSY,104 POSN,AMPLIMITE



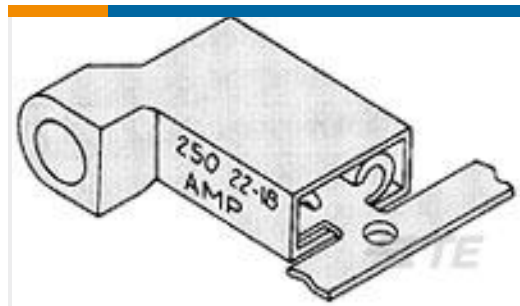
TE Part #409534-001
CES-1



TE Part #063725P022
ES2000-NO.2-B9-0-STK



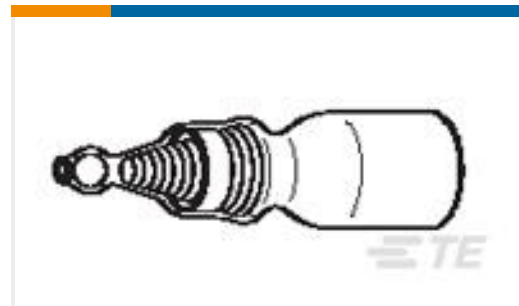
TE Part #2-520403-2
ULTRA-FAST 187 ASY REC 22-18 TPBR



TE Part #2-520334-2
ULTRAFast 187 ASSY FLAG REC 22-18 TPBR



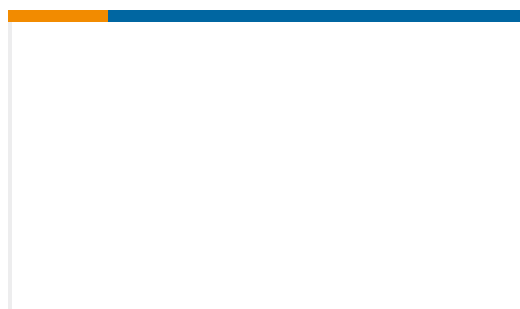
TE Part #NB13982001
TAT-125-1/8-0-STK



TE Part #917353-000
SGRP-2



TE Part #750648-000
D-1744-03



TE Part #2217339-1
KIT, AIR FEED, CE, G II

Documents

Product Drawings
[250 FASTON TAB BR](#)

English

CAD Files

[3D PDF](#)

[3D](#)

Customer View Model

[ENG_CVM_CVM_62627-3_P.2d_dxf.zip](#)



English

Customer View Model

[ENG_CVM_CVM_62627-3_P.3d_igs.zip](#)

English

Customer View Model

[ENG_CVM_CVM_62627-3_P.3d_stp.zip](#)

English

By downloading the CAD file I accept and agree to the [Terms and Conditions](#) of use.

Datasheets & Catalog Pages

FASTON Tabs

English