

626213-1 ✓ ACTIVE

FASTIN-FASTON | FASTIN-FASTON 312

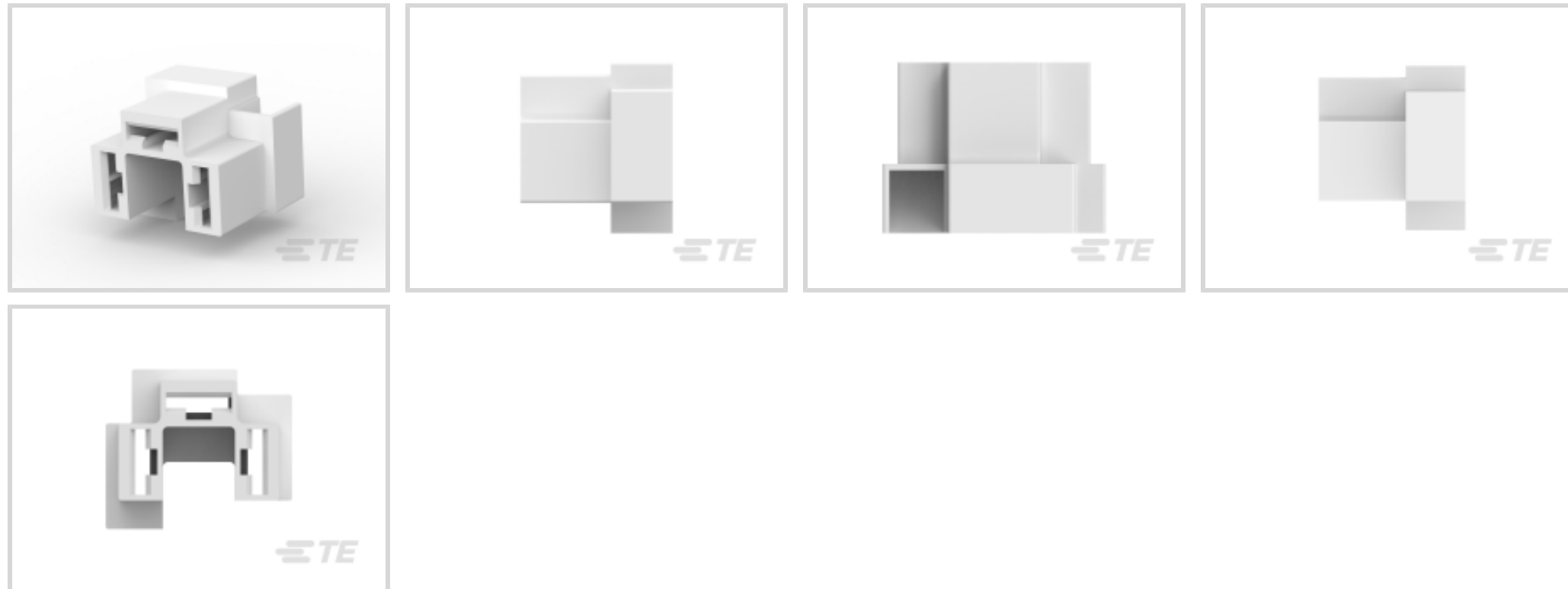
TE Internal #: 626213-1

Crimp Terminal Housings, Receptacle, Receptacle, 3 Position, Straight, Natural, Nylon, Mating Alignment, Cable Mount (Free-Hanging), FASTIN-FASTON 312

[View on TE.com >](#)



Terminals & Splices > Terminal Housings, Insulation Sleeves & Blocks > Crimp Terminal Housings



Terminal Type: **Receptacle**

Connector & Housing Type: **Receptacle**

Number of Positions: **3**

Terminal Orientation: **Straight**

Primary Product Color: **Natural**

## Features

### Product Type Features

Sealable	No
Connector & Housing Type	Receptacle

### Configuration Features

Number of Positions	3
---------------------	---

### Body Features

Primary Product Color	Natural
-----------------------	---------

### Contact Features

Terminal Type	Receptacle
Terminal Orientation	Straight
Contact Mating Retention	Without

### Mechanical Attachment

Mating Alignment	With
Connector Mounting Type	Cable Mount (Free-Hanging)



### Housing Features

Housing Material	Nylon
Centerline (Pitch)	8.4 mm[.33 in]

### Dimensions

Product Length	20.4 mm[.803 in]
----------------	------------------

### Usage Conditions

Operating Temperature Range	-40 – 105 °C[-40 – 221 °F]
-----------------------------	----------------------------

### Packaging Features

Packaging Quantity	2800
Packaging Method	Carton

## Product Compliance

[For compliance documentation, visit the product page on TE.com>](#)

EU RoHS Directive 2011/65/EU	Compliant
EU ELV Directive 2000/53/EC	Compliant
China RoHS 2 Directive MIIT Order No 32, 2016	No Restricted Materials Above Threshold
EU REACH Regulation (EC) No. 1907/2006	Current ECHA Candidate List: JUNE 2023 (235) Candidate List Declared Against: JUNE 2023 (235) Does not contain REACH SVHC
Halogen Content	Low Halogen - Br, Cl, F, I < 900 ppm per homogenous material. Also BFR/CFR/PVC Free
Solder Process Capability	Not reviewed for solder process capability

#### Product Compliance Disclaimer

This information is provided based on reasonable inquiry of our suppliers and represents our current actual knowledge based on the information they provided. This information is subject to change. The part numbers that TE has identified as EU RoHS compliant have a maximum concentration of 0.1% by weight in homogenous materials for lead, hexavalent chromium, mercury, PBB, PBDE, DBP, BBP, DEHP, DIBP, and 0.01% for cadmium, or qualify for an exemption to these limits as defined in the Annexes of Directive 2011/65/EU (RoHS2). Finished electrical and electronic equipment products will be CE marked as required by Directive 2011/65/EU. Components may not be CE marked. Additionally, the part numbers that TE has identified as EU ELV compliant have a maximum concentration of 0.1% by weight in homogenous materials for lead, hexavalent chromium, and mercury, and 0.01% for cadmium, or qualify for an exemption to these limits as defined in the Annexes of Directive 2000/53/EC (ELV). Regarding the REACH Regulation, the information TE provides on SVHC in articles for this part number is based on the latest European Chemicals Agency (ECHA) 'Guidance on requirements for substances in articles' posted at this URL: <https://echa.europa.eu/guidance-documents/guidance-on-reach>

## Compatible Parts




TE Part # 151325-1  
FF 250 REC HSG 11P NYLON NAT



TE Part # 180913  
FF 250 REC HSG 3P NYLON NAT



TE Part # 1-172131-1  
FF 250 CAP HSG 3P NYLON NAT



TE Part # 1-480252-0  
FF 187 REC HSG 3P NYLON NAT



TE Part # 480100-1  
FF 312 REC HSG 3P NYLON BLACK



TE Part # 626213-2  
3 CIR FASTIN-ON RECP HSG PRETO



TE Part # 172221-1  
FF 250 REC HSG 4P NYLON NAT



TE Part # 172222-1  
FF 250 PLUG HSG 4P NYLON NAT



TE Part # 521381-1  
FF 187 REC HSG 6P NYLON BLACK



TE Part # 626040  
RELAY BASE MOLDING NATURAL 6.6 NYLON



TE Part # 626311  
FASTIN-ON REC.HSG



TE Part # 880097-1  
2 WAY FASTIN ON HSG



TE Part # 880103-1  
5 WAY FASTIN ON HSG



TE Part # 880137-2  
3W FASTIN-ON REC. HSG

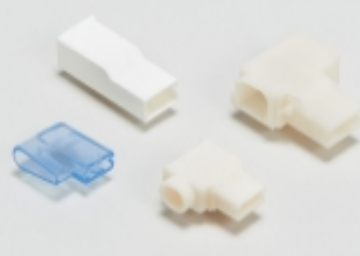


TE Part # 925306-2  
FF 312 REC HSG 3P NYLON CLEAR




TE Part # 927284-2  
FF 250 REC HSG 3P NYLON NAT

Also in the Series | **FASTIN-FASTON 312**

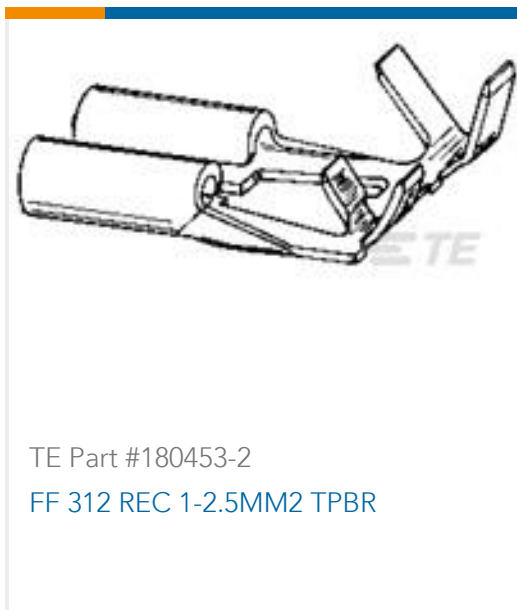


Crimp Terminal Housings(13)



Quick Disconnects(13)

Customers Also Bought



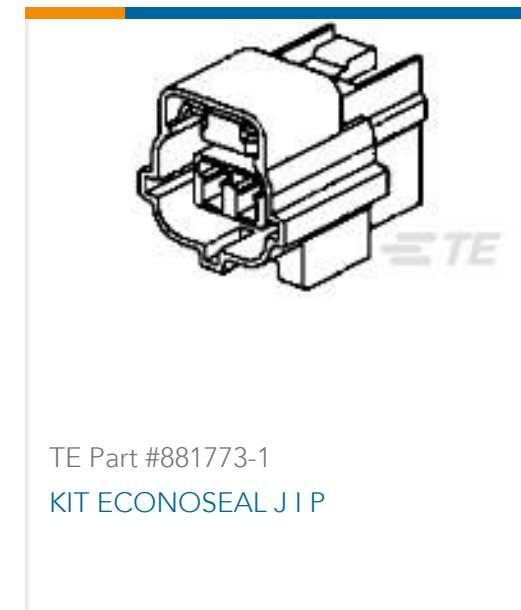
TE Part #180453-2  
FF 312 REC 1-2.5MM2 TPBR



TE Part #444496-1  
HSG ASS'Y 2 POSN JR POWER



TE Part #1599182-1  
.110 TAB TERMINAL, PLAIN



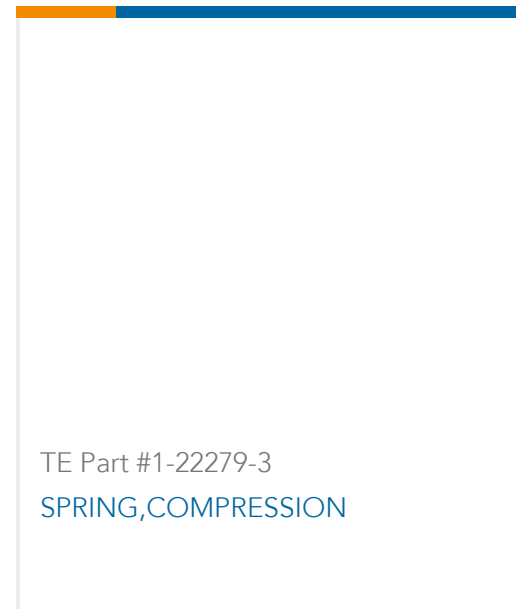
TE Part #881773-1  
KIT ECONOSEAL J I P



TE Part #1989906-1  
BUTTON CONTACT (1A)



TE Part #3-1633965-8  
INSULATION CRIMPER



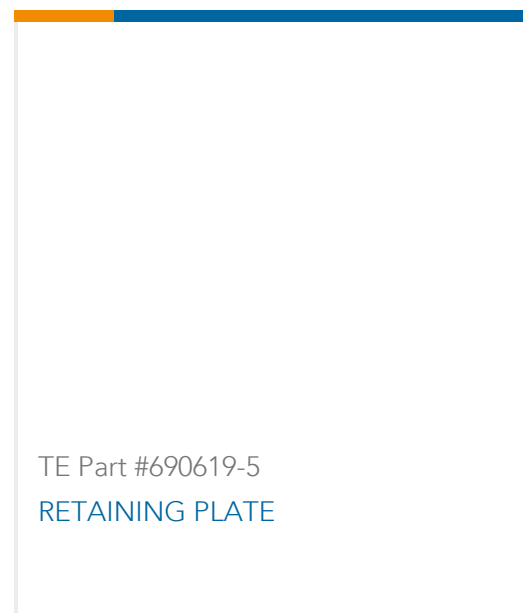
TE Part #1-22279-3  
SPRING, COMPRESSION



TE Part #197528-2  
FEED PAWL



TE Part #2819163-1  
CAVITY PLUG



TE Part #690619-5  
RETAINING PLATE

## Documents

### Product Drawings

[FASTIN-ON 0.312 FLAG REC NYLON 6.6](#)

English

### CAD Files

Customer View Model

[ENG\\_CVM\\_626213-1\\_C.3d\\_igs.zip](#)

English

Customer View Model

[ENG\\_CVM\\_626213-1\\_C.3d\\_stp.zip](#)

English

Customer View Model

[ENG\\_CVM\\_626213-1\\_C.2d\\_dxf.zip](#)

English

[3D PDF](#)

English

[3D PDF](#)

3D



**Customer View Model**

[ENG\\_CVM\\_CVM\\_626213-1\\_F.2d\\_dxf.zip](#)

English

**Customer View Model**

[ENG\\_CVM\\_CVM\\_626213-1\\_F.3d\\_igs.zip](#)

English

**Customer View Model**

[ENG\\_CVM\\_CVM\\_626213-1\\_F.3d\\_stp.zip](#)

English

By downloading the CAD file I accept and agree to the [Terms and Conditions](#) of use.