

62431-1 ✓ ACTIVE

MAG-MATE

TE Internal #: 62431-1

Magnet Wire Terminals, Poke-In, Size 2, Lead Wire Size 20 – 18

AWG, Lead Wire Size .5 – .9 mm², .18 – .23 mm Magnet Wire, MAG-MATE

[View on TE.com >](#)



Terminals & Splices > Magnet Wire Terminals



Magnet Wire Terminal Type: **Poke-In**

Compatible With Cavity Size: **Size 2**

Lead Wire Size: **.5 – .9 mm²**

Magnet Wire Size: **33 – 31 AWG**

Features

Product Type Features

Compatible With Discrete Wire Type

Magnet Wire, Solid

Body Features

Compatible With Cavity Size

Size 2

Contact Features

Magnet Wire Terminal Type

Poke-In

Terminal Plating Material

Tin

Terminal Orientation

Twisted

Termination Features

Termination Method to Wire & Cable

Insulation Displacement (IDC)

Mechanical Attachment

Mating Retention Type

Locking

Dimensions

Terminal Height

7.87 mm [.31 in]

Lead Wire Size

.5 – .9 mm²



| | |
|------------------------------------|------------------|
| Magnet Wire Size | .18 – .23 mm |
| Stock Thickness (Magnet Wire Side) | .25 mm[.009 in] |
| Product Length | 3.43 mm[.135 in] |

Usage Conditions

| | |
|-----------------------------|----------------------------|
| Insulation Option | Uninsulated |
| Operating Temperature Range | -65 – 150 °C[-85 – 302 °F] |

Operation/Application

| | |
|------------------------------------|--------|
| Compatible With Wire Base Material | Copper |
|------------------------------------|--------|

Identification Marking

| | |
|-----------------------|---|
| Identification Number | 4 |
|-----------------------|---|

Packaging Features

| | |
|--------------------|-------------------|
| Packaging Quantity | 12000 |
| Packaging Method | Reel, Reel/Carton |

Other

| | |
|-----------------------------|--|
| Terminals & Splices Comment | Solid or overcoated stranded lead wire only., Two magnet wires may be terminated in the same terminal slot if diameters are equal. |
|-----------------------------|--|

Product Compliance

[For compliance documentation, visit the product page on TE.com>](#)

| | |
|---|---|
| EU RoHS Directive 2011/65/EU | Compliant |
| EU ELV Directive 2000/53/EC | Compliant |
| China RoHS 2 Directive MIIT Order No 32, 2016 | No Restricted Materials Above Threshold |
| EU REACH Regulation (EC) No. 1907/2006 | Current ECHA Candidate List: JUNE 2023 (235) Candidate List Declared Against: JUNE 2023 (235) Does not contain REACH SVHC |
| Halogen Content | Low Halogen - Br, Cl, F, I < 900 ppm per homogenous material. Also BFR/CFR/PVC Free |
| Solder Process Capability | Not applicable for solder process capability |

Product Compliance Disclaimer

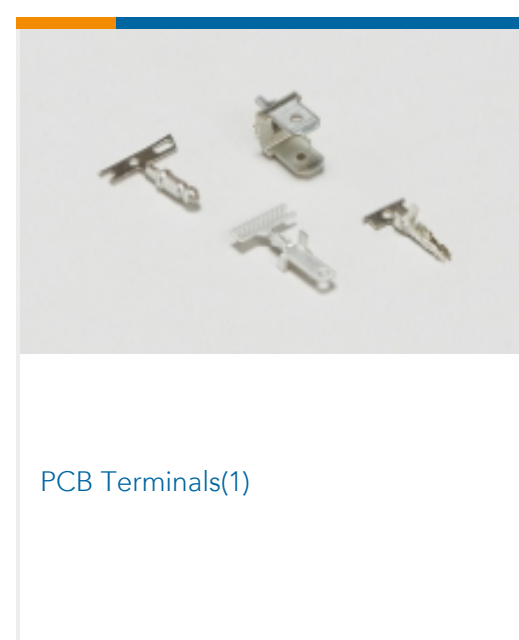
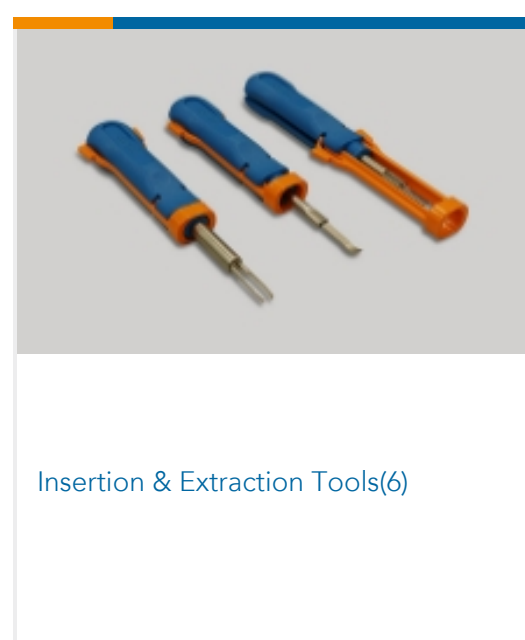
This information is provided based on reasonable inquiry of our suppliers and represents our current actual knowledge based on the information they provided. This information is subject to change. The part numbers that TE has identified as

EU RoHS compliant have a maximum concentration of 0.1% by weight in homogenous materials for lead, hexavalent chromium, mercury, PBB, PBDE, DBP, BBP, DEHP, DIBP, and 0.01% for cadmium, or qualify for an exemption to these limits as defined in the Annexes of Directive 2011/65/EU (RoHS2). Finished electrical and electronic equipment products will be CE marked as required by Directive 2011/65/EU. Components may not be CE marked. Additionally, the part numbers that TE has identified as EU ELV compliant have a maximum concentration of 0.1% by weight in homogenous materials for lead, hexavalent chromium, and mercury, and 0.01% for cadmium, or qualify for an exemption to these limits as defined in the Annexes of Directive 2000/53/EC (ELV). Regarding the REACH Regulation, the information TE provides on SVHC in articles for this part number is based on the latest European Chemicals Agency (ECHA) 'Guidance on requirements for substances in articles' posted at this URL: <https://echa.europa.eu/guidance-documents/guidance-on-reach>

Compatible Parts



Also in the Series | MAG-MATE



Customers Also Bought



TE Part #1971784-2
PTL TAB CONTACT, 16-19 AWG, 2X22 AWG



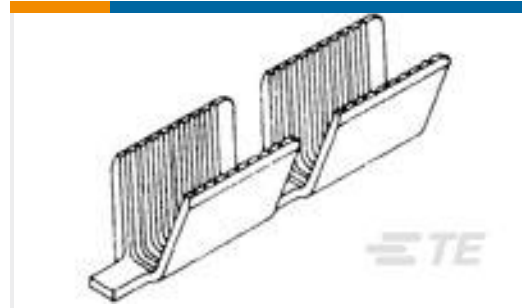
TE Part #60249-2
FF 250 REC 16-12AWG TPBR



TE Part #1-1123722-3
3.96 EP PLUG HSG 3P(NATURAL)



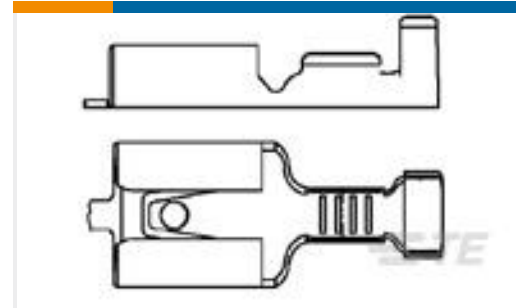
TE Part #42100-2
FF 250 REC 18-14AWG TPBR



TE Part #62309-2
AMVAR SPLC 5000-10000 025TPBR



TE Part #63658-1
MAG MATE TERM 25-22 016TPBR



TE Part #336235-1
250 FASTON,REC.,24-17 AWG,BR



TE Part #1217071-1
CONTACT, BLADE 125 20-16 AWG TPBR



TE Part #1601237-1
WIRE2WIRE,FINE,SMZ



TE Part #1394430-3
MAG MATE CONT. 5D

Documents

CAD Files

3D PDF

3D

Customer View Model

[ENG_CVM_CVM_62431-1_BZ.2d_dxf.zip](#)

English

Customer View Model

[ENG_CVM_CVM_62431-1_BZ.3d_igs.zip](#)

English

Customer View Model

[ENG_CVM_CVM_62431-1_BZ.3d_stp.zip](#)

English

By downloading the CAD file I accept and agree to the [Terms and Conditions](#) of use.

Datasheets & Catalog Pages

Magnet Wire Terminals & Splices

English

Product Specifications



Application Specification

English

Product Environmental Compliance

Product Compliance

English

Product Compliance

English