



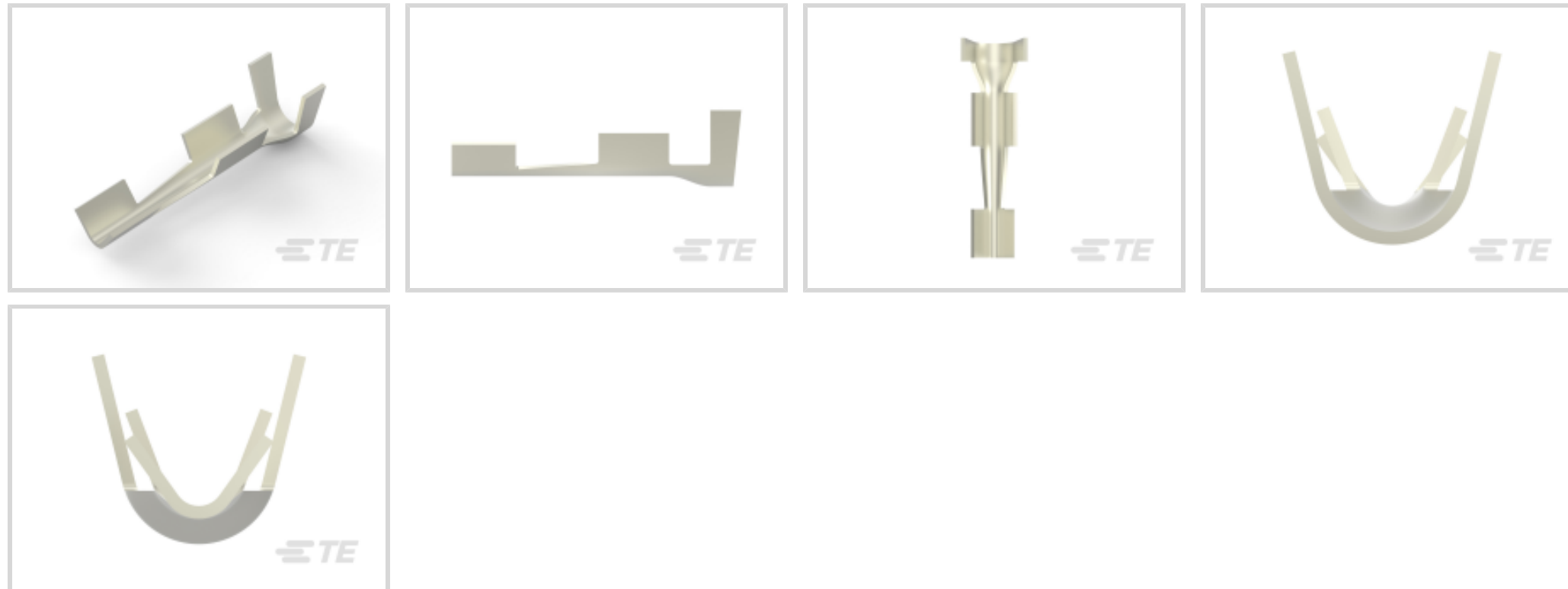
SPLICE

TE Internal #: 62419-3

Splices, Pigtail Splice, 18 – 14 AWG Wire Size, .8 – 2 mm² Wire Size, Splice Capacity 2, Serrated, 1600 – 4100 CMA Wire Size, Steel, SPLICE

[View on TE.com >](#)

Terminals & Splices > Splices



Wire Size: .8 – 2 mm²

Sealable: **No**

Splice Capacity: 2

Splice Features: **Serrated**

Features

Product Type Features

Sealable	No
Splice Type	Pigtail Splice
Compatible With Discrete Wire Type	Solid, Stranded
Wire Insulation Support Retention Type	Insulation Support

Configuration Features

Strip Orientation	End Feed
Splice Capacity	2
Number of Serrations	3, 4
Compatible With Wire & Cable Type	Discrete Wire

Electrical Characteristics

Operating Voltage	250 V
-------------------	-------

Body Features

Product Weight	.459 g
Splice Features	Serrated



Contact Features

Terminal Plating Material	Nickel
Contact Base Material	Steel
Barrel Type	Open

Mechanical Attachment

Wire Insulation Support	With
-------------------------	------

Dimensions

Wire Size	1600 – 4100 CMA
Compatible Insulation Diameter Range	4.32 mm[.17 in]
Terminal Material Thickness	.51 mm[.02 in]
Product Length	17.9 mm[.705 in]

Usage Conditions

Insulation Option	Uninsulated
Operating Temperature Range	-40 – 250 °C[-40 – 482 °F]

Operation/Application

Compatible With Wire Base Material	Copper
------------------------------------	--------

Industry Standards

Government Qualified Splice	No
-----------------------------	----

Packaging Features

Packaging Quantity	3000
Packaging Method	Strip

Product Compliance

[For compliance documentation, visit the product page on TE.com>](#)

EU RoHS Directive 2011/65/EU	Compliant
EU ELV Directive 2000/53/EC	Compliant
China RoHS 2 Directive MIIT Order No 32, 2016	No Restricted Materials Above Threshold
EU REACH Regulation (EC) No. 1907/2006	Current ECHA Candidate List: JUNE 2023 (235) Candidate List Declared Against: JUNE 2023 (235) Does not contain REACH SVHC
Halogen Content	Low Halogen - Br, Cl, F, I < 900 ppm per homogenous material. Also BFR/CFR/PVC

Free

Solder Process Capability

Not applicable for solder process capability

Product Compliance Disclaimer

This information is provided based on reasonable inquiry of our suppliers and represents our current actual knowledge based on the information they provided. This information is subject to change. The part numbers that TE has identified as EU RoHS compliant have a maximum concentration of 0.1% by weight in homogenous materials for lead, hexavalent chromium, mercury, PBB, PBDE, DBP, BBP, DEHP, DIBP, and 0.01% for cadmium, or qualify for an exemption to these limits as defined in the Annexes of Directive 2011/65/EU (RoHS2). Finished electrical and electronic equipment products will be CE marked as required by Directive 2011/65/EU. Components may not be CE marked. Additionally, the part numbers that TE has identified as EU ELV compliant have a maximum concentration of 0.1% by weight in homogenous materials for lead, hexavalent chromium, and mercury, and 0.01% for cadmium, or qualify for an exemption to these limits as defined in the Annexes of Directive 2000/53/EC (ELV). Regarding the REACH Regulation, the information TE provides on SVHC in articles for this part number is based on the latest European Chemicals Agency (ECHA) 'Guidance on requirements for substances in articles' posted at this URL: <https://echa.europa.eu/guidance-documents/guidance-on-reach>


Compatible Parts



TE Part # 61300-1
SPLICE IS 10000-16000 .031 TPST



TE Part # 42627-4
SPLICE 3232-8282 .0198 NPST



TE Part # 566467-1
THRU SPLICE G



TE Part # 566467-2
THRU SPLICE G 5K CE GII

Also in the Series | SPLICE



Crimp Wire Pins, Tabs & Ferrules(1)



Splices(64)

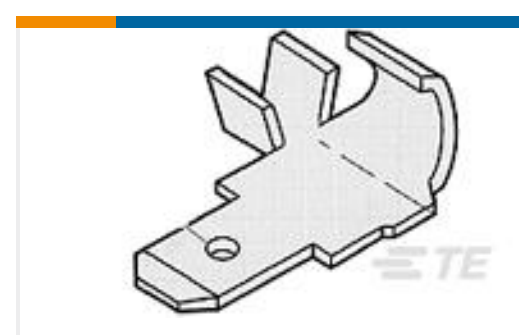
Customers Also Bought



TE Part #1326978-1
BACK SHELL, 2 WIRE, AMPSEAL 16



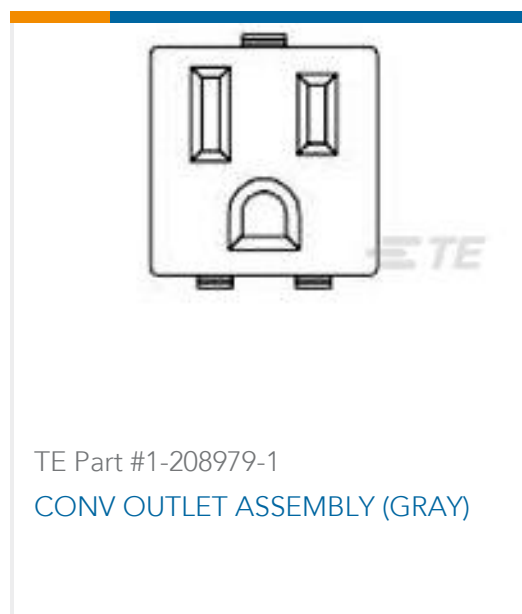
TE Part #3-520140-2
ULTRA-FAST 250 ASY REC 16-14 AWG TPBR



TE Part #42770-2
250 FASTON FLAG TAB 18-14 AWG TPBR



TE Part #41560
RING .190 (4.82 MM) 18-14 AWG BR



TE Part #1-208979-1
CONV OUTLET ASSEMBLY (GRAY)



TE Part #170089-1
FF 250 REC 14-12AWG BR



TE Part #5550024014
NT-3/8-0-SP



TE Part #771113P006
FL2500-NO.2-19-0-65MM



TE Part #EK1399-000
DWP-125-3/16-0-1IN



TE Part #1633615-1
ANVIL, COMB W/ JOG, SPEC AMP-IN
SLOT

Documents

Product Drawings

[SPLICE 18-16/18-14 AWG .020 NPST](#)

English

CAD Files

[3D PDF](#)

3D

Customer View Model

[ENG_CVM_CVM_62419-3_R.2d_dxf.zip](#)

English

Customer View Model

[ENG_CVM_CVM_62419-3_R.3d_igs.zip](#)

English

Customer View Model

[ENG_CVM_CVM_62419-3_R.3d_stp.zip](#)

English

By downloading the CAD file I accept and agree to the [Terms and Conditions](#) of use.

Product Specifications

[Product Specification](#)

English