

62416-1 ✓ ACTIVE



SHUR-PLUG 180

TE Internal #: 62416-1

Crimp Wire Pins, Tabs & Ferrules, Shur-Plug, Mating Pin Diameter
4.57 mm [.18 in], 24 – 20 AWG Wire Size, .2 – .6 mm² Wire Size,
SHUR-PLUG 180

[View on TE.com >](#)

Terminals & Splices > Crimp Wire Pins, Tabs & Ferrules



Crimp Wire Terminal Type: **Shur-Plug**

Mating Pin Diameter: **4.57 mm [.18 in]**

Compatible Insulation Diameter Range: **1.47 – 2.08 mm, 2.08 mm [.058 – .082 in, .082 in]**

Wire Size: **.2 – .6 mm²**

Features

Product Type Features

Compatible With Discrete Wire Type	Solid, Stranded
------------------------------------	-----------------

Configuration Features

Compatible With Wire & Cable Type	Discrete Wire
-----------------------------------	---------------

Contact Features

Crimp Wire Terminal Type	Shur-Plug
--------------------------	-----------

Mating Pin Diameter	4.57 mm [.18 in]
---------------------	------------------

Barrel Type	Open
-------------	------

Terminal Plating Material	Tin
---------------------------	-----

Terminal Orientation	Straight
----------------------	----------

Mechanical Attachment

Wire Insulation Support	With
-------------------------	------

Dimensions

Compatible Insulation Diameter Range	1.47 – 2.08 mm, 2.08 mm [.058 – .082 in][.082 in]
--------------------------------------	---



Wire Size	404 – 1021 CMA
Barrel Inside Diameter	.76 mm, 2.54 mm[.03 in][.1 in]
Terminal Material Thickness	.46 mm[.018 in]
Overall Product Length	21.97 mm[.865 in]

Usage Conditions

Insulation Option	Uninsulated
Operating Temperature Range	-40 – 105 °C[-40 – 221 °F]

Packaging Features

Packaging Quantity	5000
Packaging Method	Reel

Other

Terminals & Splices Comment	Can be molded.
-----------------------------	----------------

Product Compliance

[For compliance documentation, visit the product page on TE.com>](#)

EU RoHS Directive 2011/65/EU	Compliant
EU ELV Directive 2000/53/EC	Compliant
China RoHS 2 Directive MIIT Order No 32, 2016	No Restricted Materials Above Threshold
EU REACH Regulation (EC) No. 1907/2006	Current ECHA Candidate List: JUNE 2023 (235) Candidate List Declared Against: JUNE 2023 (235) Does not contain REACH SVHC
Halogen Content	Low Halogen - Br, Cl, F, I < 900 ppm per homogenous material. Also BFR/CFR/PVC Free
Solder Process Capability	Not applicable for solder process capability

Product Compliance Disclaimer

This information is provided based on reasonable inquiry of our suppliers and represents our current actual knowledge based on the information they provided. This information is subject to change. The part numbers that TE has identified as EU RoHS compliant have a maximum concentration of 0.1% by weight in homogenous materials for lead, hexavalent chromium, mercury, PBB, PBDE, DBP, BBP, DEHP, DIBP, and 0.01% for cadmium, or qualify for an exemption to these limits as defined in the Annexes of Directive 2011/65/EU (RoHS2). Finished electrical and electronic equipment products will be CE marked as required by Directive 2011/65/EU. Components may not be CE marked. Additionally, the part numbers that TE has identified as EU ELV compliant have a maximum concentration of 0.1% by weight in homogenous materials for lead, hexavalent chromium, and mercury, and 0.01% for cadmium, or qualify for an exemption to these limits as defined in the Annexes of Directive 2000/53/EC (ELV). Regarding the REACH Regulation, the information TE provides on SVHC in articles for this part number is based on the latest European Chemicals Agency (ECHA) 'Guidance on requirements for substances in articles' posted at this URL: <https://echa.europa.eu/guidance-documents/guidance-on-reach>

Compatible Parts



TE Part # 2-2837264-1
 OCEAN_2.0_APPLICATOR-S-070F140F



TE Part # 2-2837264-2
 OCEAN_2.0_APPLICATOR-S-070F140FA



TE Part # 2837264-1
 OCEAN_2.0_APPLICATOR-S-070F140F



TE Part # 2837264-2
 OCEAN_2.0_APPLICATOR-S-070F140FA



TE Part # 7-2837264-1
 OCEAN-2.0-APPLICATOR-S-070F140F




TE Part # 7-2837264-2
 OCEAN-2.0-APPLICATOR-S-070F140FA



TE Part # 7-2837264-7
 OCEAN_2.0_SPARE_PART_KIT-070F140F


Also in the Series | SHUR-PLUG 180



Crimp Terminal Housings(6)



Crimp Wire Pins, Tabs & Ferrules(37)



Special Purpose Terminals(1)

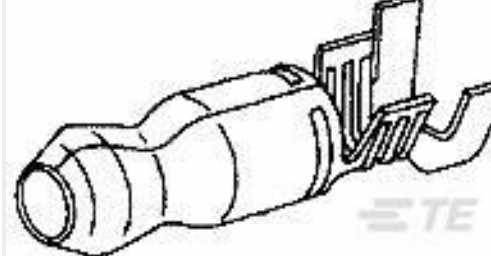
Customers Also Bought



TE Part #61412-2
 SHUR PLUG 180 RECEPTACLE 18-14 AWG TPBR



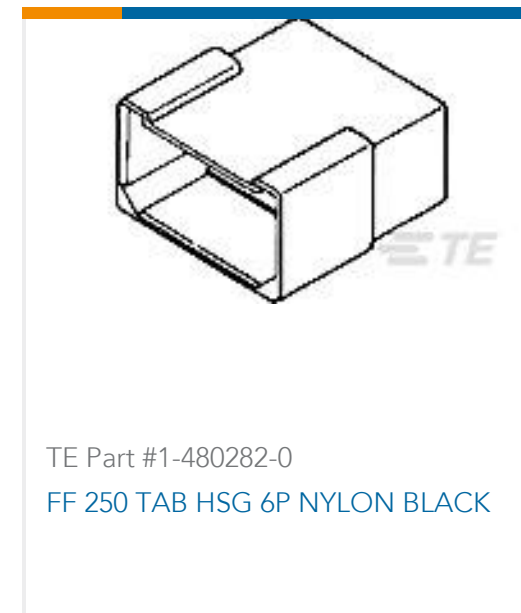
TE Part #60799-5
 SHUR PLUG 180 RECEPTACLE 18-14 AWG TPBR



TE Part #60793-1
 SHUR PLUG .180 18-14 AWG TPBR



TE Part #60394-1
 RING TERMINAL 20-16 AWG BR



Documents

Product Drawings

[SHUR PLUG .180 24-22 AWG TNIBR](#)

English

CAD Files

[3D PDF](#)

3D

Customer View Model

[ENG_CVM_CVM_62416-1_J_c-62416-1-j.2d_dxf.zip](#)

English

Customer View Model

[ENG_CVM_CVM_62416-1_J_c-62416-1-j.3d_igs.zip](#)

English

Customer View Model

[ENG_CVM_CVM_62416-1_J_c-62416-1-j.3d_stp.zip](#)

English

By downloading the CAD file I accept and agree to the [Terms and Conditions](#) of use.

Product Specifications

[Application Specification](#)

English

Product Environmental Compliance

[Product Compliance](#)

English

[Product Compliance](#)

English

62416-1

Crimp Wire Pins, Tabs & Ferrules, Shur-Plug, Mating Pin Diameter 4.57 mm [.18 in], 24
– 20 AWG Wire Size, .2 – .6 mm² Wire Size, SHUR-PLUG 180

