

62382-1 ✓ ACTIVE



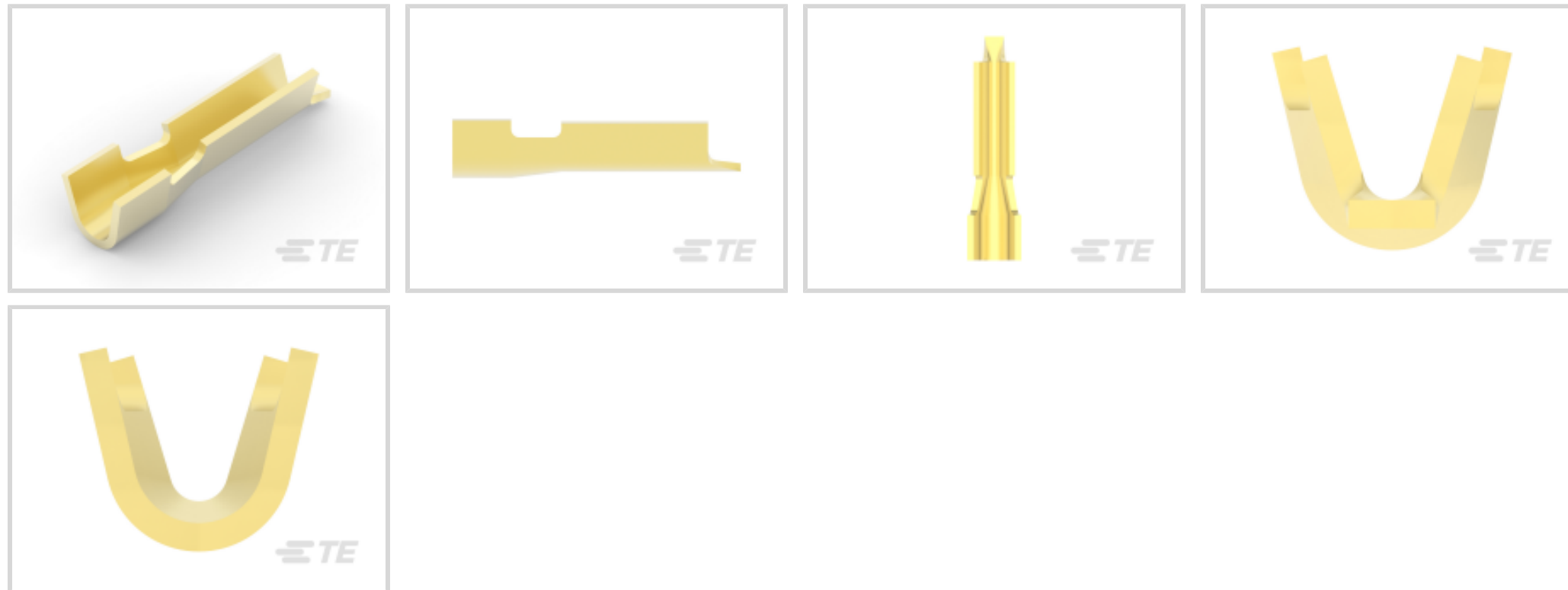
SPLICE

TE Internal #: 62382-1

Splices, Pigtail Splice / Thru Splice, 25 AWG Wire Size, Serrated, Brass, 4 Serration, Length .315 in [8 mm], Reel, Open, SPLICE

[View on TE.com >](#)

Terminals & Splices > Splices



Wire Size: **25 AWG**

Sealable: **No**

Splice Features: **Serrated**

Compatible Insulation Diameter Range: **1.06 mm [.042 in]**

Contact Base Material: **Brass**

Features

Product Type Features

| | |
|--|-----------------------------|
| Sealable | No |
| Splice Type | Pigtail Splice, Thru Splice |
| Compatible With Discrete Wire Type | Solid, Stranded |
| Wire Insulation Support Retention Type | Insulation Support |

Configuration Features

| | |
|-----------------------------------|---------------|
| Number of Serrations | 4 |
| Compatible With Wire & Cable Type | Discrete Wire |

Body Features

| | |
|-----------------|----------|
| Product Weight | .041 g |
| Splice Features | Serrated |

Contact Features

| | |
|-----------------------|-------|
| Contact Base Material | Brass |
| Barrel Type | Open |

Mechanical Attachment



| | |
|-------------------------|------|
| Wire Insulation Support | With |
|-------------------------|------|

Dimensions

| | |
|--------------------------------------|------------------|
| Wire Size | 25 AWG |
| Compatible Insulation Diameter Range | 1.06 mm[.042 in] |
| Terminal Material Thickness | .25 mm[.01 in] |
| Product Length | 8 mm[.315 in] |

Usage Conditions

| | |
|-----------------------------|----------------------------|
| Insulation Option | Uninsulated |
| Operating Temperature Range | -40 – 110 °C[-40 – 230 °F] |

Operation/Application

| | |
|------------------------------------|--------|
| Compatible With Wire Base Material | Copper |
|------------------------------------|--------|

Industry Standards

| | |
|-----------------------------|----|
| Government Qualified Splice | No |
|-----------------------------|----|

Packaging Features

| | |
|--------------------|-------|
| Packaging Quantity | 18000 |
| Packaging Method | Reel |

Product Compliance

[For compliance documentation, visit the product page on TE.com>](#)

| | |
|---|---|
| EU RoHS Directive 2011/65/EU | Compliant |
| EU ELV Directive 2000/53/EC | Compliant |
| China RoHS 2 Directive MIIT Order No 32, 2016 | No Restricted Materials Above Threshold |
| EU REACH Regulation (EC) No. 1907/2006 | Current ECHA Candidate List: JUNE 2023 (235) Candidate List Declared Against: JUNE 2022 (224) Does not contain REACH SVHC |
| Halogen Content | Low Halogen - Br, Cl, F, I < 900 ppm per homogenous material. Also BFR/CFR/PVC Free |
| Solder Process Capability | Not applicable for solder process capability |

Product Compliance Disclaimer

This information is provided based on reasonable inquiry of our suppliers and represents our current actual knowledge based on the information they provided. This information is subject to change. The part numbers that TE has identified as EU RoHS compliant have a maximum concentration of 0.1% by weight in homogenous materials for lead, hexavalent chromium, mercury, PBB, PBDE, DBP, BBP, DEHP, DIBP, and 0.01% for cadmium, or qualify for an exemption to these

limits as defined in the Annexes of Directive 2011/65/EU (RoHS2). Finished electrical and electronic equipment products will be CE marked as required by Directive 2011/65/EU. Components may not be CE marked. Additionally, the part numbers that TE has identified as EU ELV compliant have a maximum concentration of 0.1% by weight in homogenous materials for lead, hexavalent chromium, and mercury, and 0.01% for cadmium, or qualify for an exemption to these limits as defined in the Annexes of Directive 2000/53/EC (ELV). Regarding the REACH Regulation, the information TE provides on SVHC in articles for this part number is based on the latest European Chemicals Agency (ECHA) 'Guidance on requirements for substances in articles' posted at this URL: <https://echa.europa.eu/guidance-documents/guidance-on-reach>

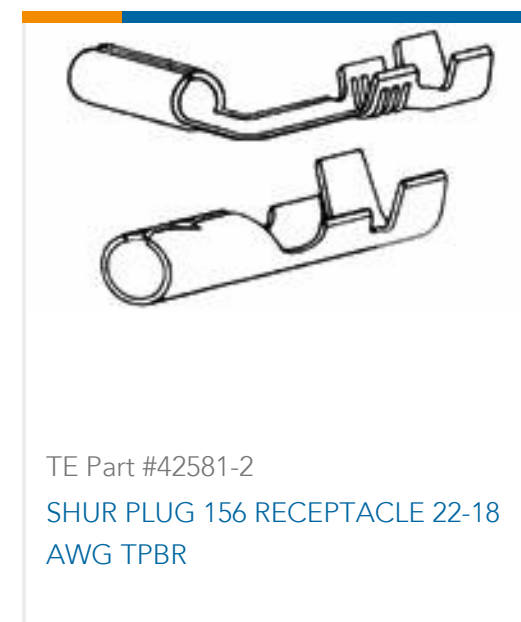
Compatible Parts



Also in the Series | SPLICE



Customers Also Bought



Documents

Product Drawings

[SPLICE 25/26 .012 BR](#)

English

CAD Files

[3D PDF](#)

3D

Customer View Model

[ENG_CVM_CVM_62382-1_R_c-62382-1-r.2d_dxf.zip](#)

English

Customer View Model

[ENG_CVM_CVM_62382-1_R_c-62382-1-r.3d_igs.zip](#)

English

Customer View Model

[ENG_CVM_CVM_62382-1_R_c-62382-1-r.3d_stp.zip](#)

English

By downloading the CAD file I accept and agree to the [Terms and Conditions](#) of use.

Product Specifications



Application Specification

English

Thru Splice

English

Application Specification

Japanese

Application Specification

English

Application Specification

Japanese

CHAMP Single Pair Connectors

English

Application Specification

Japanese

Thru Splices

Japanese

CHAMP Single Pair Connectors

Japanese

Application Specification

Japanese