

62304-2 ✓ ACTIVE



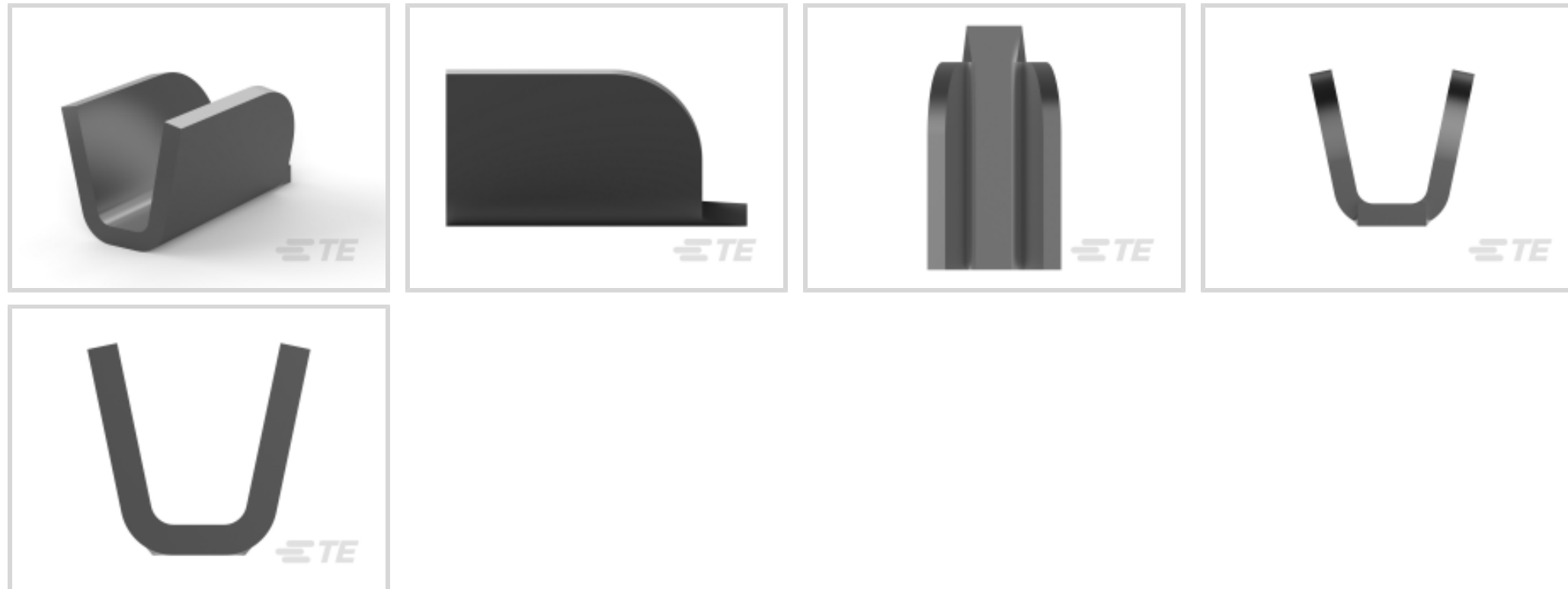
AMPLIVAR

TE Internal #: 62304-2

Splices, Pigtail Splice, 22 – 15 AWG Wire Size, .3 – 1.5 mm<sup>2</sup> Wire Size, Splice Capacity 3, Serrated, 600 – 3000 CMA Wire Size, Brass, AMPLIVAR

[View on TE.com >](#)

Terminals & Splices > Splices



Wire Size: .3 – 1.5 mm<sup>2</sup>

Sealable: No

Splice Capacity: 3

Splice Features: Serrated

Features

Product Type Features

|                                    |                    |
|------------------------------------|--------------------|
| Sealable                           | No                 |
| Splice Type                        | Pigtail Splice     |
| Compatible With Discrete Wire Type | Magnet Wire, Solid |

Configuration Features

|                      |          |
|----------------------|----------|
| Strip Orientation    | End Feed |
| Splice Capacity      | 3        |
| Number of Serrations | 9        |

Electrical Characteristics

|                   |       |
|-------------------|-------|
| Operating Voltage | 250 V |
|-------------------|-------|

Body Features

|                 |          |
|-----------------|----------|
| Product Weight  | .16 g    |
| Splice Features | Serrated |

Contact Features

|                           |     |
|---------------------------|-----|
| Terminal Plating Material | Tin |
|---------------------------|-----|



|                       |       |
|-----------------------|-------|
| Contact Base Material | Brass |
|-----------------------|-------|

|             |      |
|-------------|------|
| Barrel Type | Open |
|-------------|------|

### Termination Features

|             |                 |
|-------------|-----------------|
| Crimp Width | 2.79 mm[.11 in] |
|-------------|-----------------|

### Mechanical Attachment

|                         |         |
|-------------------------|---------|
| Wire Insulation Support | Without |
|-------------------------|---------|

### Dimensions

|           |                |
|-----------|----------------|
| Wire Size | 600 – 3000 CMA |
|-----------|----------------|

|                             |                |
|-----------------------------|----------------|
| Terminal Material Thickness | .51 mm[.02 in] |
|-----------------------------|----------------|

|                |                  |
|----------------|------------------|
| Product Length | 5.72 mm[.225 in] |
|----------------|------------------|

### Usage Conditions

|                   |             |
|-------------------|-------------|
| Insulation Option | Uninsulated |
|-------------------|-------------|

|                             |                            |
|-----------------------------|----------------------------|
| Operating Temperature Range | -65 – 150 °C[-85 – 302 °F] |
|-----------------------------|----------------------------|

### Operation/Application

|                                    |        |
|------------------------------------|--------|
| Compatible With Wire Base Material | Copper |
|------------------------------------|--------|

### Industry Standards

|                             |    |
|-----------------------------|----|
| Government Qualified Splice | No |
|-----------------------------|----|

### Packaging Features

|                    |       |
|--------------------|-------|
| Packaging Quantity | 30000 |
|--------------------|-------|

|                  |       |
|------------------|-------|
| Packaging Method | Strip |
|------------------|-------|

### Product Compliance

[For compliance documentation, visit the product page on TE.com>](#)

|                              |           |
|------------------------------|-----------|
| EU RoHS Directive 2011/65/EU | Compliant |
|------------------------------|-----------|

|                             |           |
|-----------------------------|-----------|
| EU ELV Directive 2000/53/EC | Compliant |
|-----------------------------|-----------|

|   |   |
|---|---|
| China RoHS 2 Directive MIIT Order No 32, 2016 | No Restricted Materials Above Threshold |
|---|---|

|  |   |
|--|---|
| EU REACH Regulation (EC) No. 1907/2006 | Current ECHA Candidate List: JUNE 2023 (235)<br>Candidate List Declared Against: JUNE 2023 (235)<br>Does not contain REACH SVHC |
|--|---|

|                 |   |
|-----------------|---|
| Halogen Content | Low Halogen - Br, Cl, F, I < 900 ppm per homogenous material. Also BFR/CFR/PVC Free |
|-----------------|---|

## Solder Process Capability

Not applicable for solder process capability

## Product Compliance Disclaimer

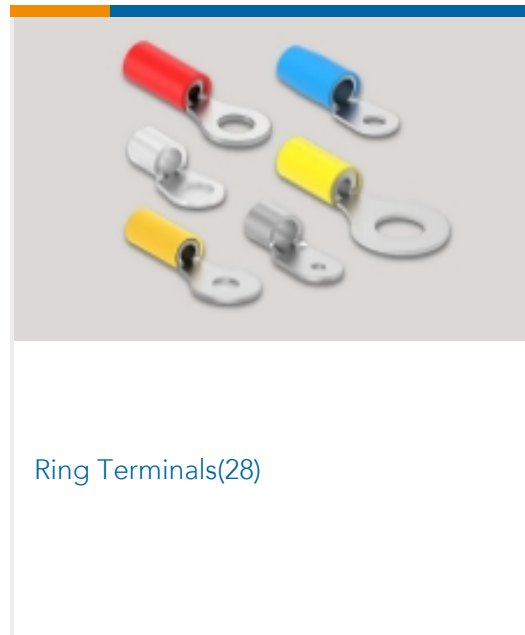
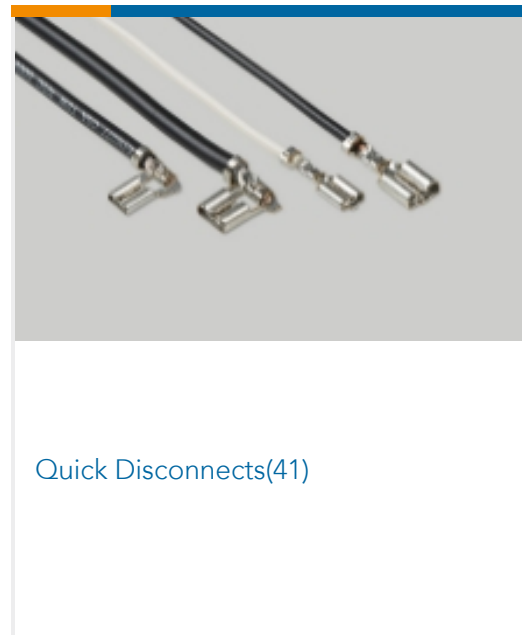
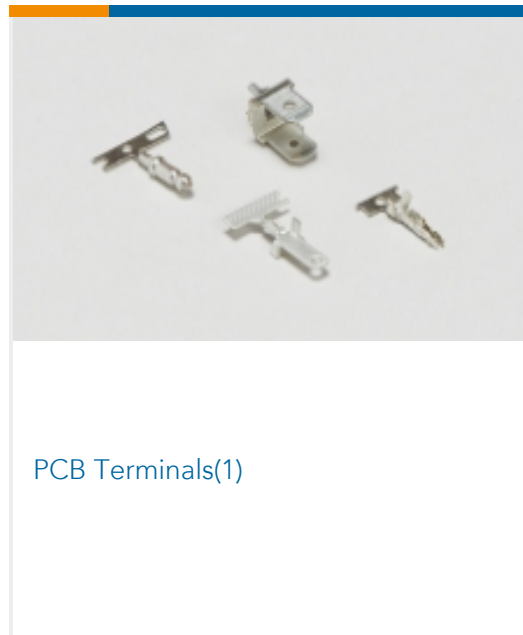
This information is provided based on reasonable inquiry of our suppliers and represents our current actual knowledge based on the information they provided. This information is subject to change. The part numbers that TE has identified as EU RoHS compliant have a maximum concentration of 0.1% by weight in homogenous materials for lead, hexavalent chromium, mercury, PBB, PBDE, DBP, BBP, DEHP, DIBP, and 0.01% for cadmium, or qualify for an exemption to these limits as defined in the Annexes of Directive 2011/65/EU (RoHS2). Finished electrical and electronic equipment products will be CE marked as required by Directive 2011/65/EU. Components may not be CE marked. Additionally, the part numbers that TE has identified as EU ELV compliant have a maximum concentration of 0.1% by weight in homogenous materials for lead, hexavalent chromium, and mercury, and 0.01% for cadmium, or qualify for an exemption to these limits as defined in the Annexes of Directive 2000/53/EC (ELV). Regarding the REACH Regulation, the information TE provides on SVHC in articles for this part number is based on the latest European Chemicals Agency (ECHA) 'Guidance on requirements for substances in articles' posted at this URL: <https://echa.europa.eu/guidance-documents/guidance-on-reach>

## Compatible Parts

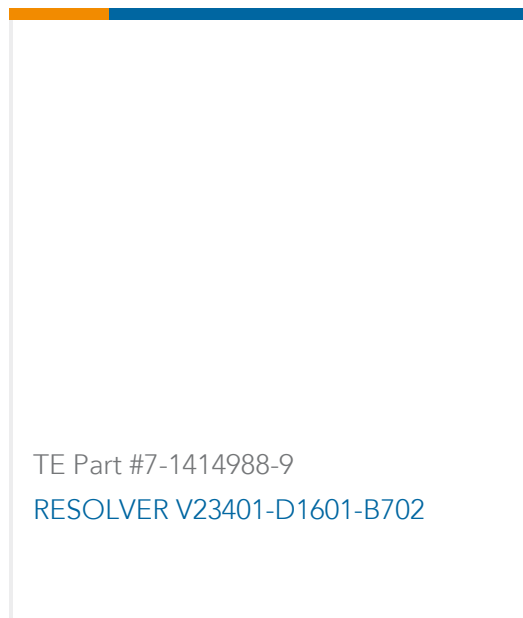
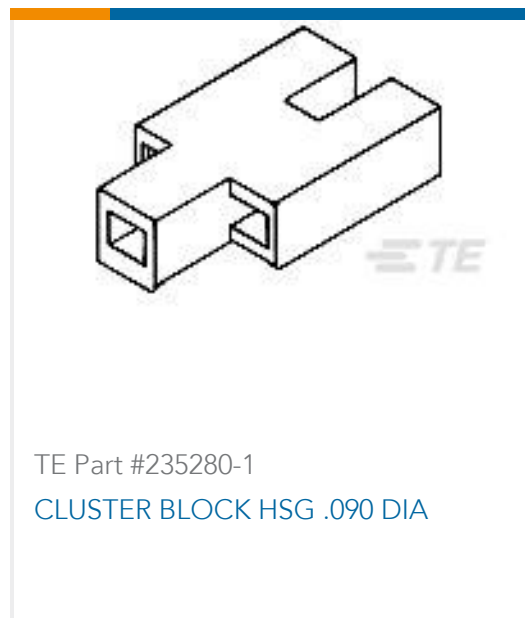
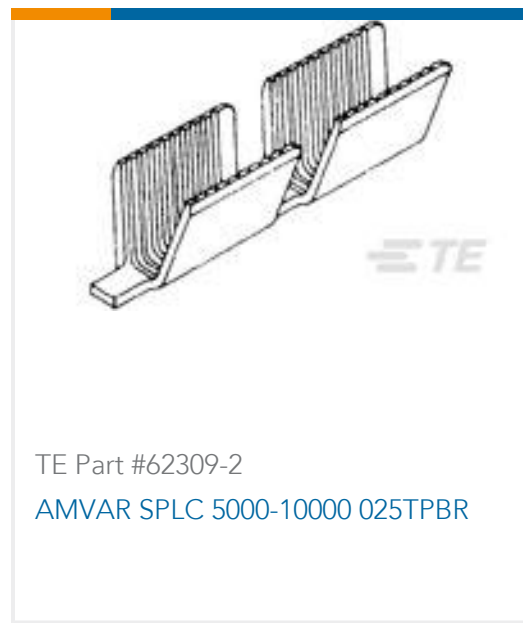
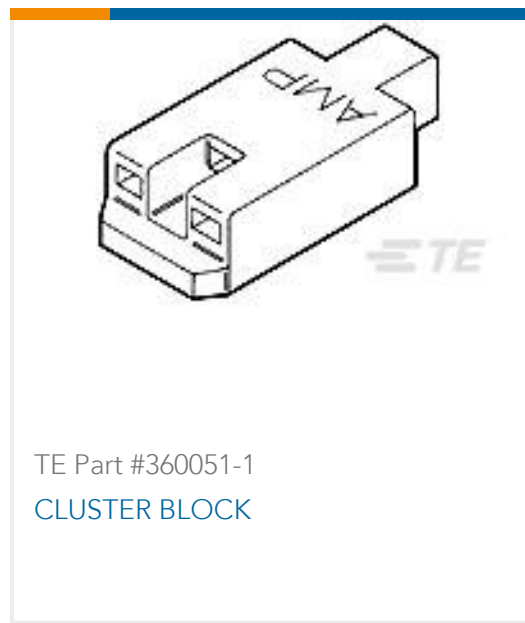


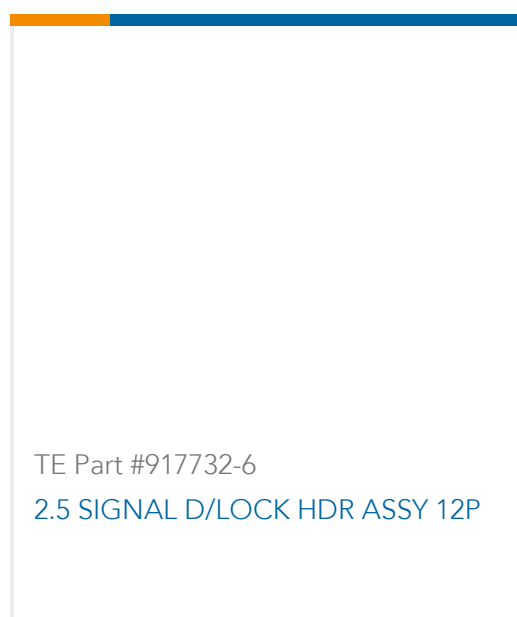


Also in the Series | **AMPLIVAR**



Customers Also Bought





## Documents

### Product Drawings

[AMVAR SPLC 600-3000 020TPBR](#)

English

### CAD Files

[3D PDF](#)

3D

[Customer View Model](#)

[ENG\\_CVM\\_CVM\\_62304-2\\_R.2d\\_dxf.zip](#)

English

[Customer View Model](#)

[ENG\\_CVM\\_CVM\\_62304-2\\_R.3d\\_igs.zip](#)

English

[Customer View Model](#)

[ENG\\_CVM\\_CVM\\_62304-2\\_R.3d\\_stp.zip](#)

English

By downloading the CAD file I accept and agree to the [Terms and Conditions](#) of use.

### Datasheets & Catalog Pages

[1654742\\_HOUSEHOLD\\_APPLIANCES\\_RAST5](#)

English

[Magnet Wire Terminals & Splices](#)

English

[AMPLIVAR Splices for Multiple Bussed Splicing Product Flyer](#)

English

### Product Specifications

[Application Specification](#)

English

### Product Environmental Compliance

[MD\\_62304-2\\_111820141032\\_dmtec](#)

English

[MD\\_62304-2\\_111820141032\\_dmtec](#)

English

62304-2

Splices, Pigtail Splice, 22 – 15 AWG Wire Size, .3 – 1.5 mm<sup>2</sup> Wire Size, Splice Capacity  
3, Serrated, 600 – 3000 CMA Wire Size, Brass, AMPLIVAR

