

62298-1 ✓ ACTIVE

FASTON | FASTON 187

TE Internal #: 62298-1

PCB Terminals, Tab, Mating Tab Width .187 in [4.75 mm], PCB Hole

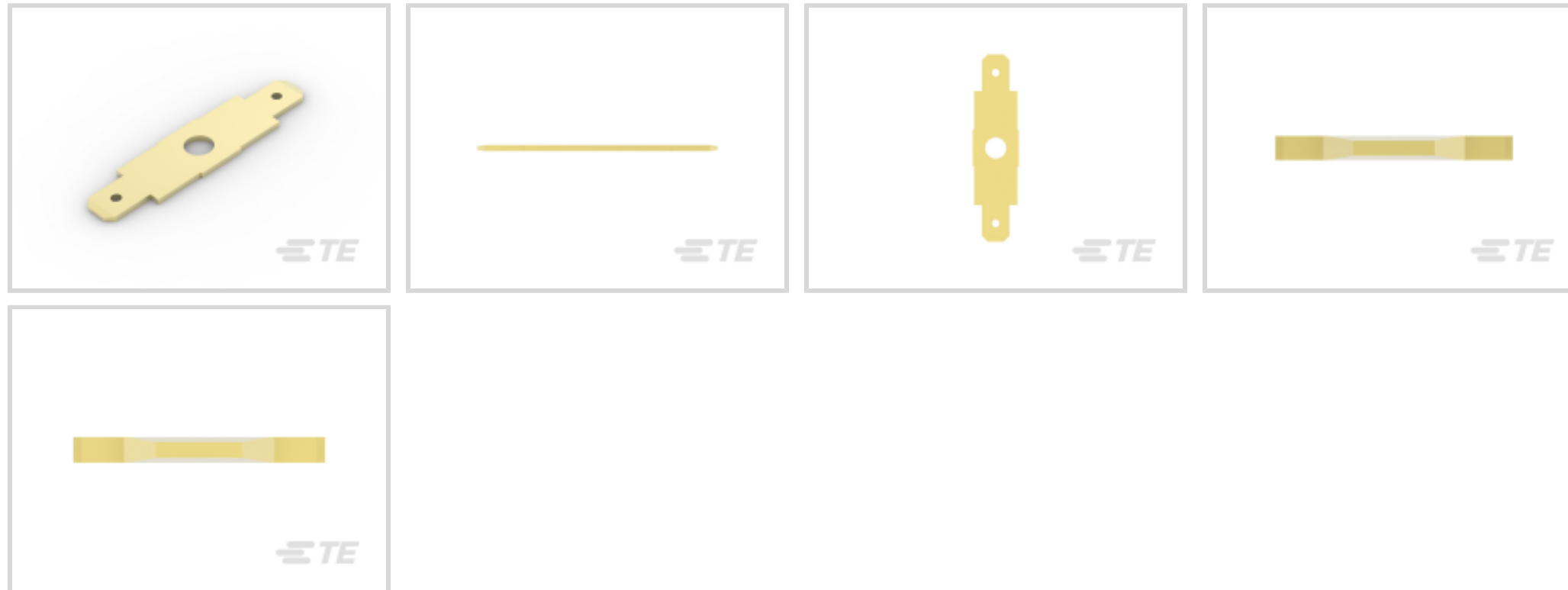
Diameter 3.68 mm [.145 in], Through Hole - Screw, Unplated

Plating, None, FASTON 187

[View on TE.com >](#)



Terminals & Splices > PCB Terminals



PCB Terminal Type: **Tab**

Mating Tab Width: **4.75 mm [.187 in]**

Mating Tab Thickness: **.81 mm [.032 in]**

PCB Hole Diameter: **3.68 mm [.145 in]**

Termination Method to Printed Circuit Board: **Through Hole - Screw**

Features

Product Type Features

Terminal Features	Stud Hole
-------------------	-----------

Contact Features

PCB Terminal Type	Tab
Mating Tab Width	4.75 mm[.187 in]
Mating Tab Thickness	.81 mm[.032 in]
Terminal Plating Material	Unplated
Contact Underplating Material	None
Terminal Size	4.75
Terminal Orientation	Straight

Termination Features

Termination Method to Printed Circuit Board	Through Hole - Screw
Product Terminates To	Printed Circuit Board

Dimensions

Stud Diameter	3.68 mm[.145 in]
---------------	------------------



PCB Hole Diameter	3.68 mm [.145 in]
-------------------	-------------------

Usage Conditions

Insulation Option	Uninsulated
Operating Temperature Range	-40 – 105 °C [-40 – 221 °F]

Industry Standards

Agency/Standard	CSA
-----------------	-----

Packaging Features

Packaging Quantity	1000
Packaging Method	Bag

Product Compliance

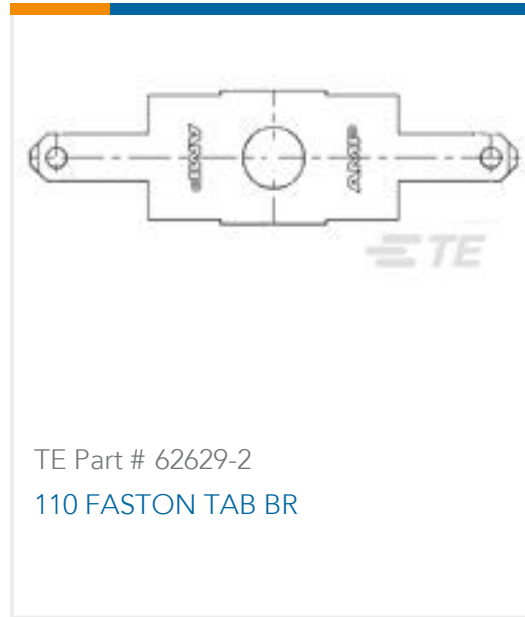
[For compliance documentation, visit the product page on TE.com>](#)

EU RoHS Directive 2011/65/EU	Compliant
EU ELV Directive 2000/53/EC	Compliant
China RoHS 2 Directive MIIT Order No 32, 2016	No Restricted Materials Above Threshold
EU REACH Regulation (EC) No. 1907/2006	Current ECHA Candidate List: JUNE 2023 (235) Candidate List Declared Against: JUNE 2023 (235) Does not contain REACH SVHC
Halogen Content	Low Halogen - Br, Cl, F, I < 900 ppm per homogenous material. Also BFR/CFR/PVC Free
Solder Process Capability	Not applicable for solder process capability

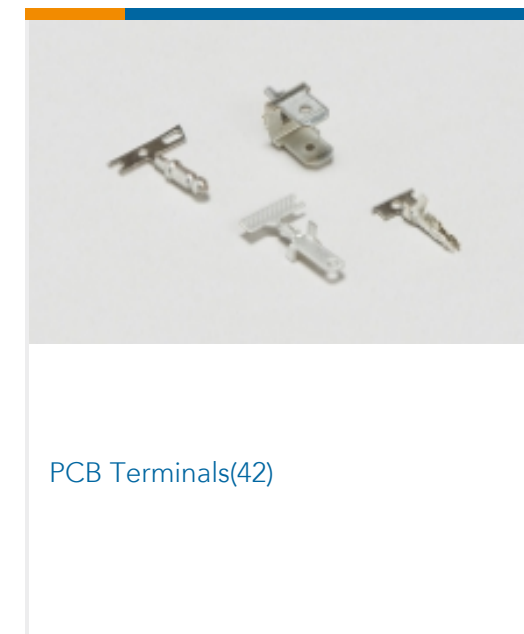
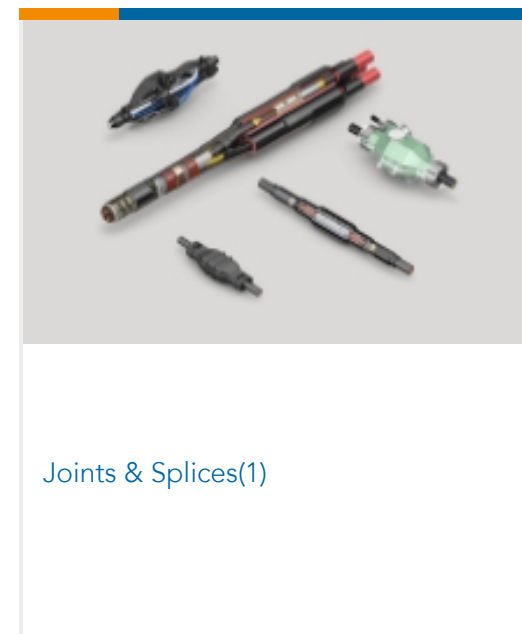
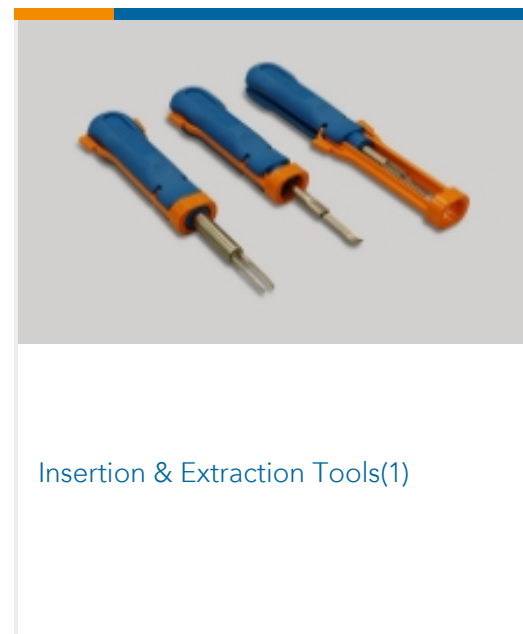
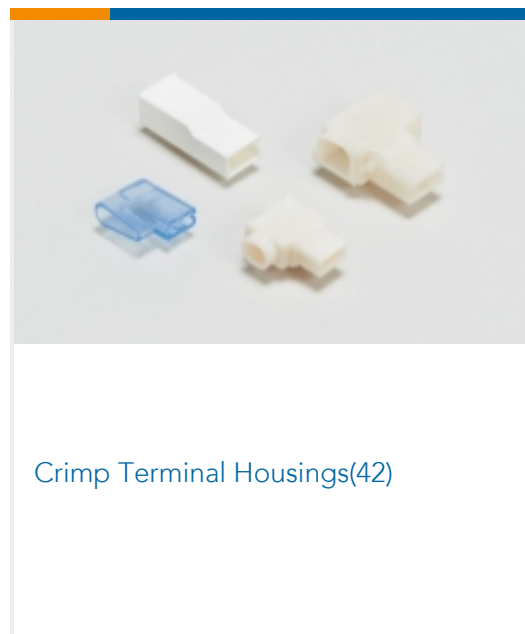
Product Compliance Disclaimer

This information is provided based on reasonable inquiry of our suppliers and represents our current actual knowledge based on the information they provided. This information is subject to change. The part numbers that TE has identified as EU RoHS compliant have a maximum concentration of 0.1% by weight in homogenous materials for lead, hexavalent chromium, mercury, PBB, PBDE, DBP, BBP, DEHP, DIBP, and 0.01% for cadmium, or qualify for an exemption to these limits as defined in the Annexes of Directive 2011/65/EU (RoHS2). Finished electrical and electronic equipment products will be CE marked as required by Directive 2011/65/EU. Components may not be CE marked. Additionally, the part numbers that TE has identified as EU ELV compliant have a maximum concentration of 0.1% by weight in homogenous materials for lead, hexavalent chromium, and mercury, and 0.01% for cadmium, or qualify for an exemption to these limits as defined in the Annexes of Directive 2000/53/EC (ELV). Regarding the REACH Regulation, the information TE provides on SVHC in articles for this part number is based on the latest European Chemicals Agency (ECHA) 'Guidance on requirements for substances in articles' posted at this URL: <https://echa.europa.eu/guidance-documents/guidance-on-reach>

Compatible Parts



Also in the Series | **FASTON 187**





Quick Disconnects(209)



Splices(1)

Customers Also Bought

TE Part #327583
SPLICE BUTT PIDG 16-14/22-18TE Part #33465
TERMINAL,SOLIS R 6 1/4TE Part #1546074-5
5 POS 5.08MM TERMI-BLOK TOP WITE Part #3-2176325-3
CRGP 0402 4K7 1%TE Part #33467
TERMINAL,SOLIS R 6 3/8TE Part #33466
TERMINAL,SOLIS R 6 5/16TE Part #1742456-2
RT .265 DIA TERMINAL 10-6 AWG
TPCUTE Part #2213616-2
HERM BLADE & RECPT,4 POS,POST,
SEL GOLDTE Part #ANT-ELE-S01-011
Antenna Short 2.4GHz MagBase-MntTE Part #ANT-MAG-B50-SMA
Antenna Magnetic Base 50mm RG174
4M SMA

Documents

Product Drawings

187 FASTON TAB BR

English

CAD Files

3D PDF

3D

Customer View Model

ENG_CVM_CVM_62298-1_K.2d_dxf.zip



English

Customer View Model

[ENG_CVM_CVM_62298-1_K.3d_igs.zip](#)

English

Customer View Model

[ENG_CVM_CVM_62298-1_K.3d_stp.zip](#)

English

By downloading the CAD file I accept and agree to the [Terms and Conditions](#) of use.

Datasheets & Catalog Pages

FASTON Tabs

English