

62160-1 ✓ ACTIVE

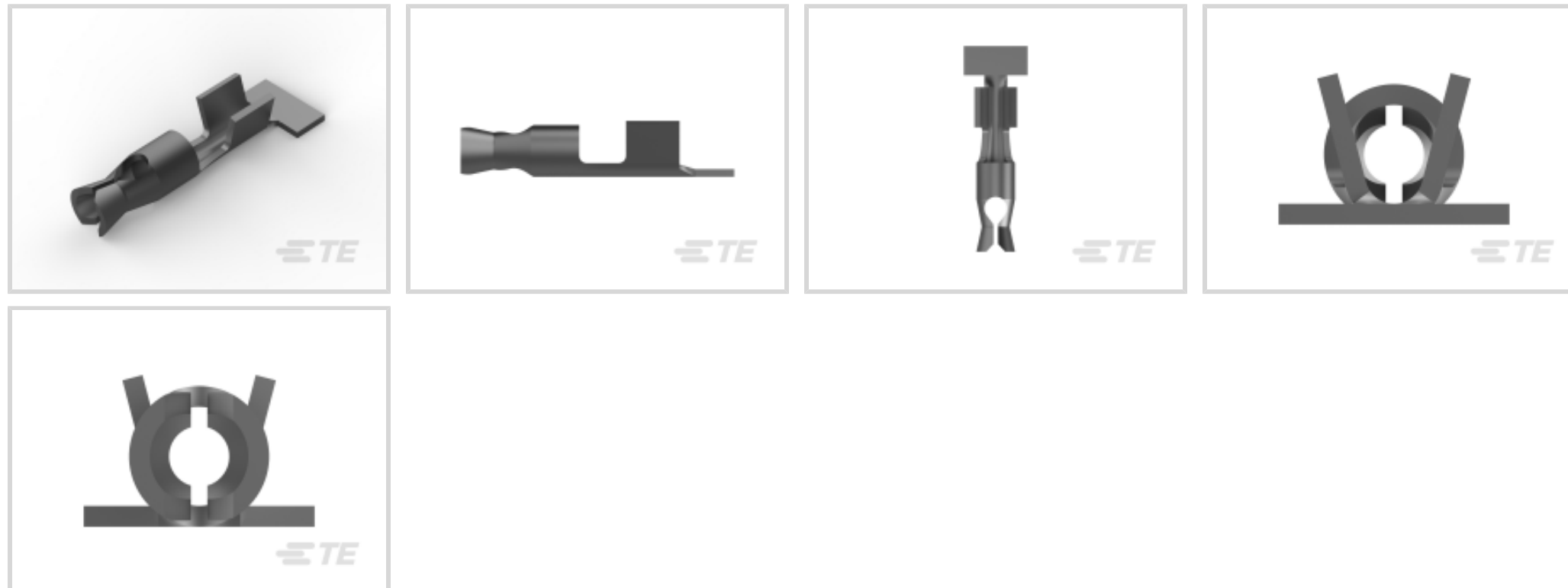
TE Internal #: 62160-1

Crimp Wire Pins, Tabs & Ferrules, Receptacle, Mating Pin Diameter
1.01 mm [.04 in], 24 – 20 AWG Wire Size, .2 – .6 mm² Wire Size

[View on TE.com >](#)



Terminals & Splices > Crimp Wire Pins, Tabs & Ferrules



Crimp Wire Terminal Type: **Receptacle**

Mating Pin Diameter: **1.01 mm [.04 in]**

Wire Size: **404 – 1021 CMA**

Features

Product Type Features

Compatible With Discrete Wire Type **Stranded**

Configuration Features

Compatible With Wire & Cable Type **Discrete Wire**

Contact Features

Crimp Wire Terminal Type **Receptacle**

Mating Pin Diameter **1.01 mm [.04 in]**

Barrel Type **Open**

Terminal Plating Material **Tin**

Terminal Orientation **Straight**

Mechanical Attachment

Wire Insulation Support **Without**

Dimensions

Wire Size **404 – 1021 CMA**

Barrel Inside Diameter **.88 mm [.035 in]**

Terminal Material Thickness **.32 mm [.013 in]**

Overall Product Length **9.14 mm [.36 in]**



Usage Conditions

Insulation Option	Uninsulated
-------------------	-------------

Packaging Features

Packaging Quantity	16000
Packaging Method	Strip

Product Compliance

[For compliance documentation, visit the product page on TE.com>](#)

EU RoHS Directive 2011/65/EU	Compliant
EU ELV Directive 2000/53/EC	Compliant
China RoHS 2 Directive MIIT Order No 32, 2016	No Restricted Materials Above Threshold
EU REACH Regulation (EC) No. 1907/2006	Current ECHA Candidate List: JUNE 2023 (235) Candidate List Declared Against: JUNE 2023 (235) Does not contain REACH SVHC
Halogen Content	Low Halogen - Br, Cl, F, I < 900 ppm per homogenous material. Also BFR/CFR/PVC Free
Solder Process Capability	Not applicable for solder process capability

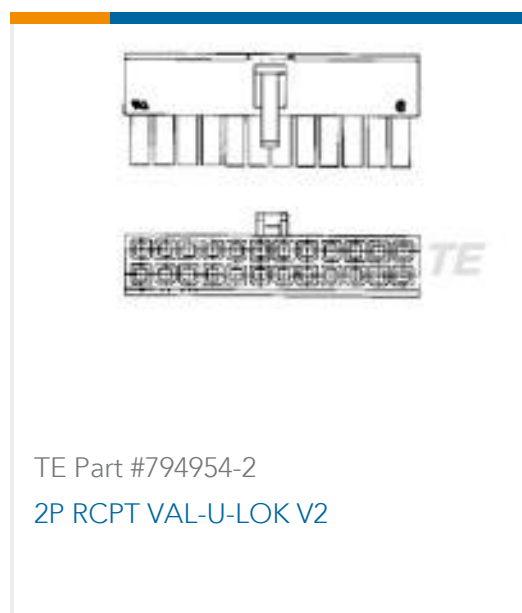
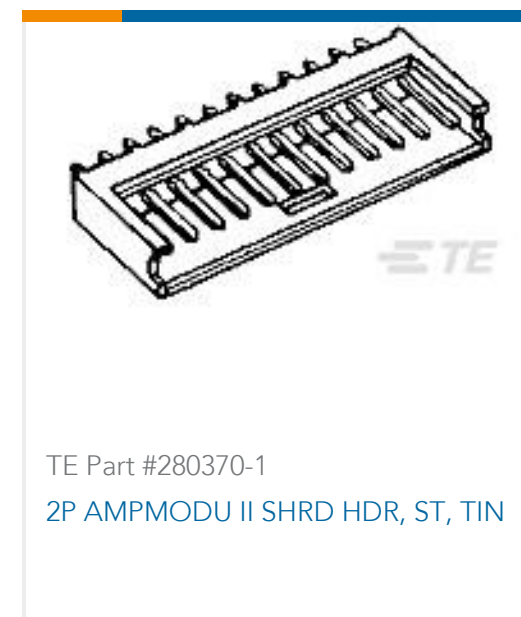
Product Compliance Disclaimer

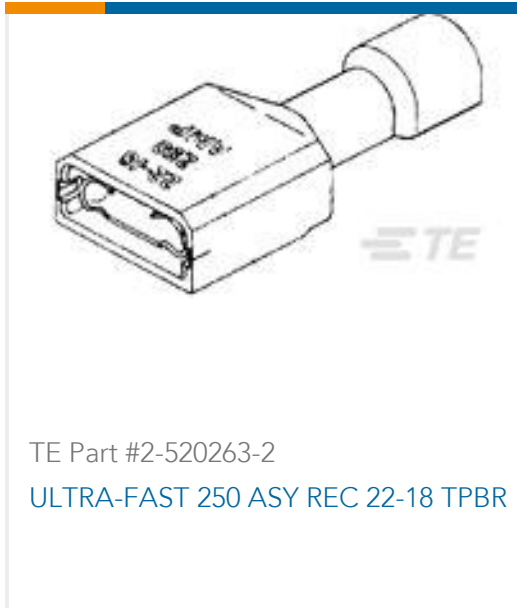
This information is provided based on reasonable inquiry of our suppliers and represents our current actual knowledge based on the information they provided. This information is subject to change. The part numbers that TE has identified as EU RoHS compliant have a maximum concentration of 0.1% by weight in homogenous materials for lead, hexavalent chromium, mercury, PBB, PBDE, DBP, BBP, DEHP, DIBP, and 0.01% for cadmium, or qualify for an exemption to these limits as defined in the Annexes of Directive 2011/65/EU (RoHS2). Finished electrical and electronic equipment products will be CE marked as required by Directive 2011/65/EU. Components may not be CE marked. Additionally, the part numbers that TE has identified as EU ELV compliant have a maximum concentration of 0.1% by weight in homogenous materials for lead, hexavalent chromium, and mercury, and 0.01% for cadmium, or qualify for an exemption to these limits as defined in the Annexes of Directive 2000/53/EC (ELV). Regarding the REACH Regulation, the information TE provides on SVHC in articles for this part number is based on the latest European Chemicals Agency (ECHA) 'Guidance on requirements for substances in articles' posted at this URL: <https://echa.europa.eu/guidance-documents/guidance-on-reach>

Compatible Parts



Customers Also Bought





Documents

Product Drawings

[PIN .040 RECEPTACLE 24-20 AWG TPPHBZ](#)

English

CAD Files

Customer View Model

[ENG_CVM_CVM_62160-1_T.2d_dxf.zip](#)

English

[3D PDF](#)

3D

Customer View Model

[ENG_CVM_CVM_62160-1_T.3d_igs.zip](#)

English

Customer View Model

[ENG_CVM_CVM_62160-1_T.3d_stp.zip](#)

English

By downloading the CAD file I accept and agree to the [Terms and Conditions](#) of use.

Product Specifications

[Application Specification](#)

English