

# 62153-1 ✓ ACTIVE

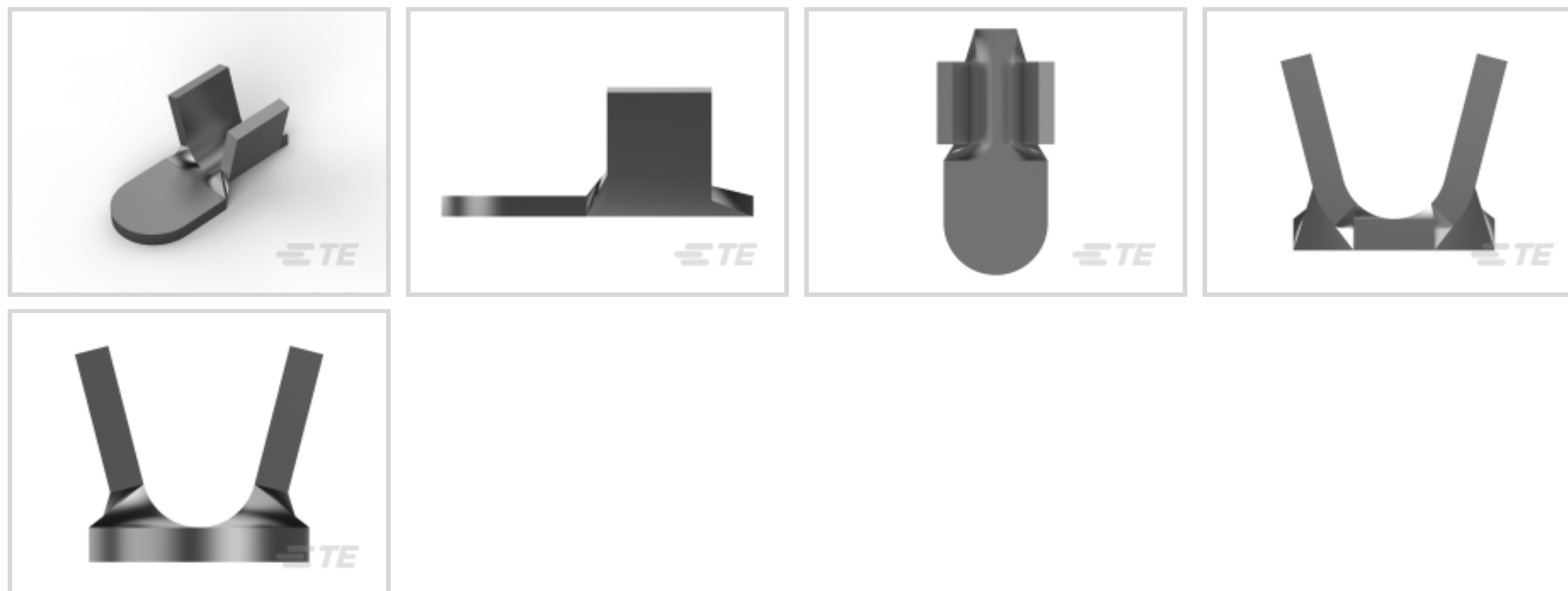
TE Internal #: 62153-1

Quick Disconnects, Tab, 20 – 16 AWG Wire Size, .51 – 1.31 mm<sup>2</sup> Wire Size, Straight, Steel, Tin Plating, Strip/Reel, F-Crimp, Open, Uninsulated

[View on TE.com >](#)



Terminals & Splices > Quick Disconnects



Quick Disconnect Terminal Type: **Tab**

Wire Size: **.51 – 1.31 mm<sup>2</sup>**

Terminal Orientation: **Straight**

Contact Base Material: **Steel**

## Features

### Configuration Features

Compatible With Wire & Cable Type

Discrete Wire

### Contact Features

Quick Disconnect Terminal Type

Tab

Terminal Orientation

Straight

Contact Base Material

Steel

Terminal Plating Material

Tin

Crimp Type

F-Crimp

Barrel Type

Open

### Termination Features

Product Terminates To

Wire & Cable

### Mechanical Attachment

Wire Insulation Support

Without

Mating Retention Type

Dimple

### Dimensions

Terminal Material Thickness

.51 mm[.02 in]



Product Length	6.86 mm [.27 in]
----------------	------------------

Wire Size	.51 – 1.31 mm <sup>2</sup>
-----------	----------------------------

### Usage Conditions

Insulation Option	Uninsulated
-------------------	-------------

Operating Temperature Range	-40 – 250 °C [-40 – 482 °F]
-----------------------------	-----------------------------

### Industry Standards

Agency/Standard	UL
-----------------	----

### Packaging Features

Packaging Quantity	20000
--------------------	-------

Packaging Method	Strip/Reel
------------------	------------

### Other

Terminals & Splices Comment	Dimple up.
-----------------------------	------------

## Product Compliance

[For compliance documentation, visit the product page on TE.com>](#)

EU RoHS Directive 2011/65/EU	Compliant
------------------------------	-----------

EU ELV Directive 2000/53/EC	Compliant
-----------------------------	-----------

China RoHS 2 Directive MIIT Order No 32, 2016	No Restricted Materials Above Threshold
---	---

EU REACH Regulation (EC) No. 1907/2006	Current ECHA Candidate List: JUNE 2023 (235) Candidate List Declared Against: JUNE 2023 (235) Does not contain REACH SVHC
--	---

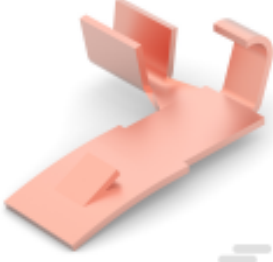




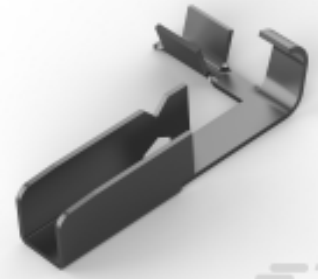
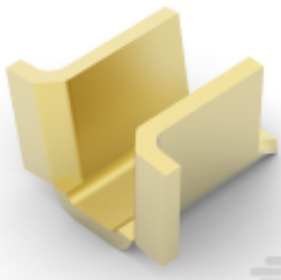


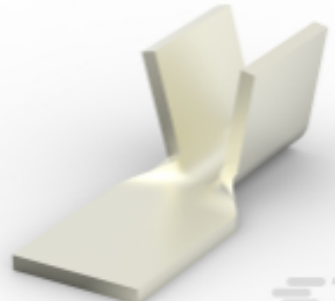
Halogen Content	Low Halogen - Br, Cl, F, I < 900 ppm per homogenous material. Also BFR/CFR/PVC Free
-----------------	---

Solder Process Capability	Not applicable for solder process capability
---------------------------	--



#### Product Compliance Disclaimer

This information is provided based on reasonable inquiry of our suppliers and represents our current actual knowledge based on the information they provided. This information is subject to change. The part numbers that TE has identified as EU RoHS compliant have a maximum concentration of 0.1% by weight in homogenous materials for lead, hexavalent chromium, mercury, PBB, PBDE, DBP, BBP, DEHP, DIBP, and 0.01% for cadmium, or qualify for an exemption to these limits as defined in the Annexes of Directive 2011/65/EU (RoHS2). Finished electrical and electronic equipment products will be CE marked as required by Directive 2011/65/EU. Components may not be CE marked. Additionally, the part numbers that TE has identified as EU ELV compliant have a maximum concentration of 0.1% by weight in homogenous materials for lead, hexavalent chromium, and mercury, and 0.01% for cadmium, or qualify for an exemption to these limits as defined in the Annexes of Directive 2000/53/EC (ELV). Regarding the REACH Regulation, the information TE provides on SVHC in articles for this part number is based on the latest European Chemicals Agency (ECHA) 'Guidance on requirements for substances in articles' posted at this URL: <https://echa.europa.eu/guidance-documents/guidance-on-reach>

## Compatible Parts

 <p>TE Part # 61148-1 BRUSH HOLDER AMPLIVAR 22-17 AWG PHBZ</p>	 <p>TE Part # 62827-1 WELD TAB 24-22 AWG SST</p>	 <p>TE Part # 63701-1 WELD TAB 20-16 AWG NPSTL</p>	 <p>TE Part # 40990-1 WELD TAB TAB 20-16 AWG TPSTL</p>
 <p>TE Part # 62008-1 BRUSH CONTACT TAB 20-14 AWG PHBZ</p>	 <p>TE Part # 62009-1 BRUSH CONTACT TAB 20-14 AWG PHBZ</p>	 <p>TE Part # 63257-1 CONTACT TERMINAL 22-18 AWG TPBR</p>	 <p>TE Part # 63257-2 CONTACT TERMINAL 22-18 AWG TPBR</p>
 <p>TE Part # 40662 BUTT CONT 20-16 .020BR</p>	 <p>TE Part # 40990 WELD TAB IS 22-18 020STST</p>	 <p>TE Part # 60581-1 WELD TAB 20-16 020 TPSTL</p>	 <p>TE Part # 62134-2 CONTACT 18-14 AWG NPSTL</p>

## Customers Also Bought

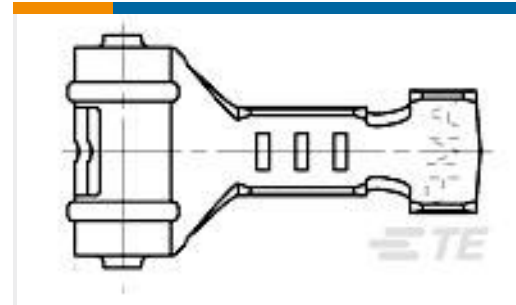
 <p>TE Part #1825027-5 FSMRA2JH04=R/A,TACT PB SW,160G</p>	 <p>TE Part #60812-1 BRUSH CONTACT 18-14 AWG PHBZ</p>	 <p>TE Part #2-520102-2 ULTRA-FAST 250 ASSEMBLY TAB 22-18 AWG BR</p>	 <p>TE Part #1825910-3 FSM2JAH=6MM TACT SWITCH, HIGH TEMP</p>
--	--	---	--



TE Part #32447  
KNIFE DISCONNECT,PIDG 16-14



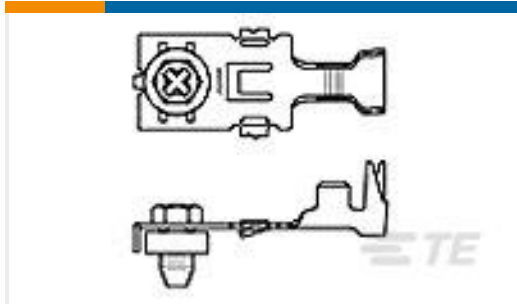
TE Part #776181-1  
0.040 MULTILOCK RCPT



TE Part #350189-1  
.058 DIA RECPT PC R/A LP 26-22



TE Part #41974  
SPLICE 1000-3200 CMA BR



TE Part #521843-1  
POWER BLOCK ASSEMBLY 16-12  
AWG PTPBR

## Documents

### Product Drawings

WELD TAB 20-16 AWG TPSTL

English

### CAD Files

3D PDF

3D

Customer View Model

[ENG\\_CVM\\_CVM\\_62153-1\\_R\\_c-62153-1-r.2d\\_dxf.zip](#)

English

Customer View Model

[ENG\\_CVM\\_CVM\\_62153-1\\_R\\_c-62153-1-r.3d\\_igs.zip](#)

English

Customer View Model

[ENG\\_CVM\\_CVM\\_62153-1\\_R\\_c-62153-1-r.3d\\_stp.zip](#)

English

By downloading the CAD file I accept and agree to the [Terms and Conditions](#) of use.