

62044-1 ✓ ACTIVE

AMPLIVAR

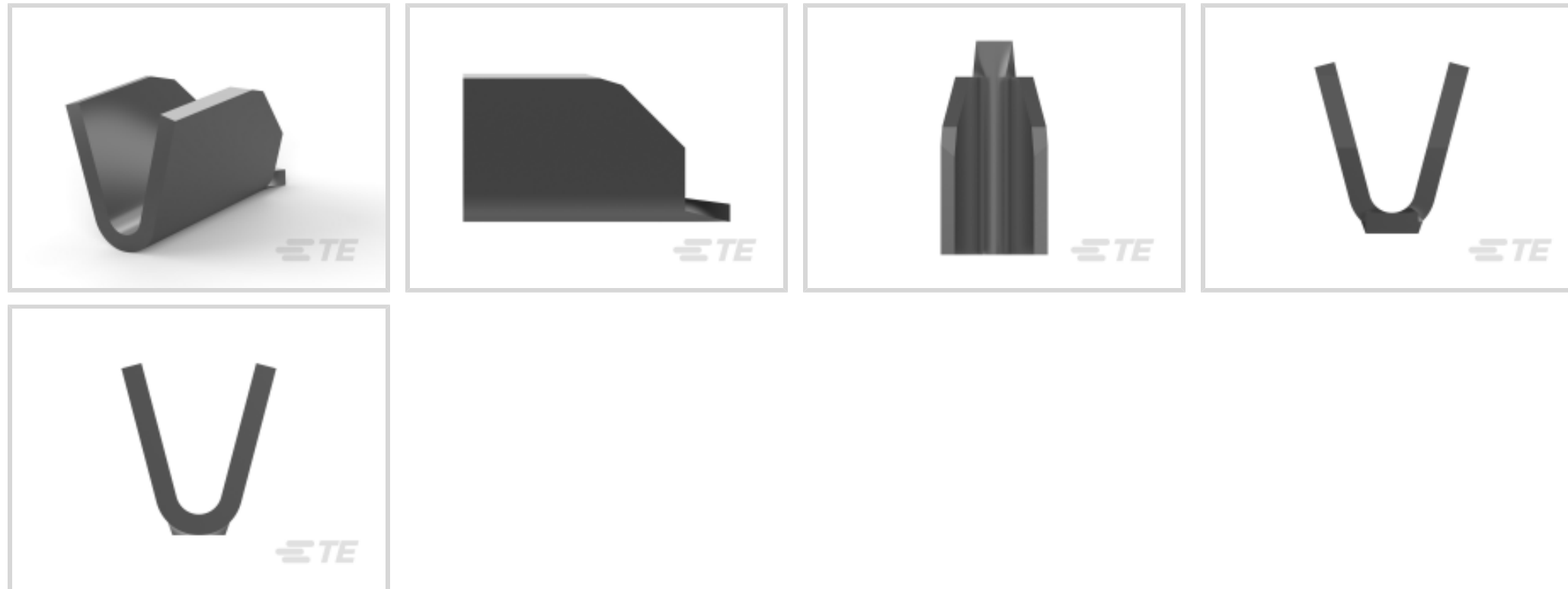
TE Internal #: 62044-1

Splices, Pigtail Splice, 24 – 18 AWG Wire Size, .2 – .8 mm² Wire Size, Splice Capacity 2, Serrated, 480 – 1700 CMA Wire Size, Brass, AMPLIVAR

[View on TE.com >](#)



Terminals & Splices > Splices



Wire Size: .2 – .8 mm²

Sealable: No

Splice Capacity: 2

Splice Features: **Serrated**

Features

Product Type Features

Sealable	No
Splice Type	Pigtail Splice
Compatible With Discrete Wire Type	Magnet Wire, Solid

Configuration Features

Strip Orientation	Side Feed
Splice Capacity	2
Number of Serrations	3

Electrical Characteristics

Operating Voltage	250 V
-------------------	-------

Body Features

Product Weight	.11 g
Splice Features	Serrated

Contact Features

Terminal Plating Material	Unplated
---------------------------	----------



Contact Base Material	Brass
-----------------------	-------

Barrel Type	Open
-------------	------

Termination Features

Crimp Width	1.78 mm[.07 in]
-------------	-----------------

Mechanical Attachment

Wire Insulation Support	Without
-------------------------	---------

Dimensions

Wire Size	480 – 1700 CMA
-----------	----------------

Terminal Material Thickness	.41 mm[.016 in]
-----------------------------	-----------------

Product Length	4.95 mm[.195 in]
----------------	------------------

Usage Conditions

Insulation Option	Uninsulated
-------------------	-------------

Operating Temperature Range	-65 – 150 °C[-85 – 302 °F]
-----------------------------	----------------------------

Operation/Application

Compatible With Wire Base Material	Copper
------------------------------------	--------

Industry Standards

Government Qualified Splice	No
-----------------------------	----

Packaging Features

Packaging Quantity	20000
--------------------	-------

Packaging Method	Strip
------------------	-------

Product Compliance

[For compliance documentation, visit the product page on TE.com>](#)

EU RoHS Directive 2011/65/EU	Compliant
------------------------------	-----------

EU ELV Directive 2000/53/EC	Compliant
-----------------------------	-----------

China RoHS 2 Directive MIIT Order No 32, 2016	No Restricted Materials Above Threshold
---	---

EU REACH Regulation (EC) No. 1907/2006	Current ECHA Candidate List: JUNE 2023 (235) Candidate List Declared Against: JUNE 2023 (235) Does not contain REACH SVHC
--	---

Halogen Content	Low Halogen - Br, Cl, F, I < 900 ppm per homogenous material. Also BFR/CFR/PVC Free
-----------------	---

Solder Process Capability

Not applicable for solder process capability

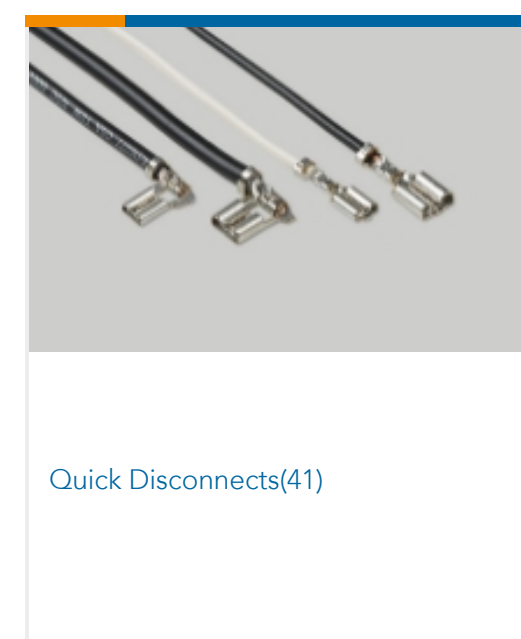
Product Compliance Disclaimer

This information is provided based on reasonable inquiry of our suppliers and represents our current actual knowledge based on the information they provided. This information is subject to change. The part numbers that TE has identified as EU RoHS compliant have a maximum concentration of 0.1% by weight in homogenous materials for lead, hexavalent chromium, mercury, PBB, PBDE, DBP, BBP, DEHP, DIBP, and 0.01% for cadmium, or qualify for an exemption to these limits as defined in the Annexes of Directive 2011/65/EU (RoHS2). Finished electrical and electronic equipment products will be CE marked as required by Directive 2011/65/EU. Components may not be CE marked. Additionally, the part numbers that TE has identified as EU ELV compliant have a maximum concentration of 0.1% by weight in homogenous materials for lead, hexavalent chromium, and mercury, and 0.01% for cadmium, or qualify for an exemption to these limits as defined in the Annexes of Directive 2000/53/EC (ELV). Regarding the REACH Regulation, the information TE provides on SVHC in articles for this part number is based on the latest European Chemicals Agency (ECHA) 'Guidance on requirements for substances in articles' posted at this URL: <https://echa.europa.eu/guidance-documents/guidance-on-reach>

Compatible Parts



Also in the Series | AMPLIVAR



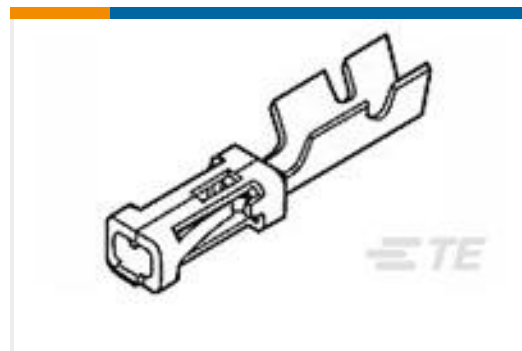
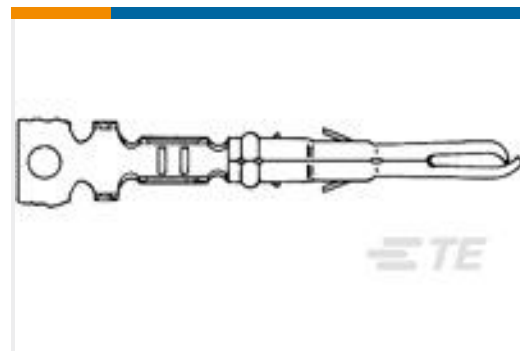
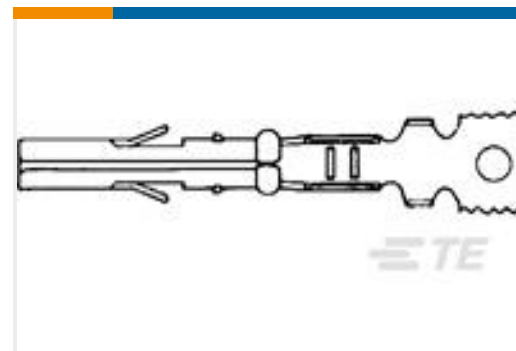


Ring Terminals(28)



Splices(77)

Customers Also Bought

TE Part #87756-6
MOD IV RECP PLTD SNTE Part #350967-1
MR PIN PTPPHBZTE Part #641294-1
MR RECPT 26-18 PTPHBZTE Part #350654-1
UMNL GRND PIN 20-14 PTPBRTE Part #828922-1
2,5MM CAVITY PLUG FOR 5,4MM DITE Part #963531-1
BLINDSTOPFENTE Part #42490-4
187 FASTON TAB 22-18 AWG BRTE Part #1878661-8
QCC306RDTE Part #1878660-7
QCC306BKTE Part #1878661-6
QCC306OR

Documents

Product Drawings

[MIN AMVAR SPL 480-1700 016BR](#)

English

CAD Files

[3D PDF](#)

[3D](#)

[Customer View Model](#)

[ENG_CVM_CVM_62044-1_V_c-62044-1-v.2d_dxf.zip](#)



English

Customer View Model

[ENG_CVM_CVM_62044-1_V_c-62044-1-v.3d_igs.zip](#)

English

Customer View Model

[ENG_CVM_CVM_62044-1_V_c-62044-1-v.3d_stp.zip](#)

English

By downloading the CAD file I accept and agree to the [Terms and Conditions](#) of use.

Datasheets & Catalog Pages

[1654742_HOUSEHOLD_APPLIANCES_RAST5](#)

English

Magnet Wire Terminals & Splices

English

Product Specifications

[AMPLIVAR Miniature Pigtail Splice](#)

English

Application Specification

English

Application Specification

English

Product Environmental Compliance

[TE Material Declaration](#)

English

Instruction Sheets

[Miniature AMPLIVAR Splice Machine](#)

English

Customer Manual (U.S.)

English