

61765-1 ✓ ACTIVE

FASTON | FASTON 250

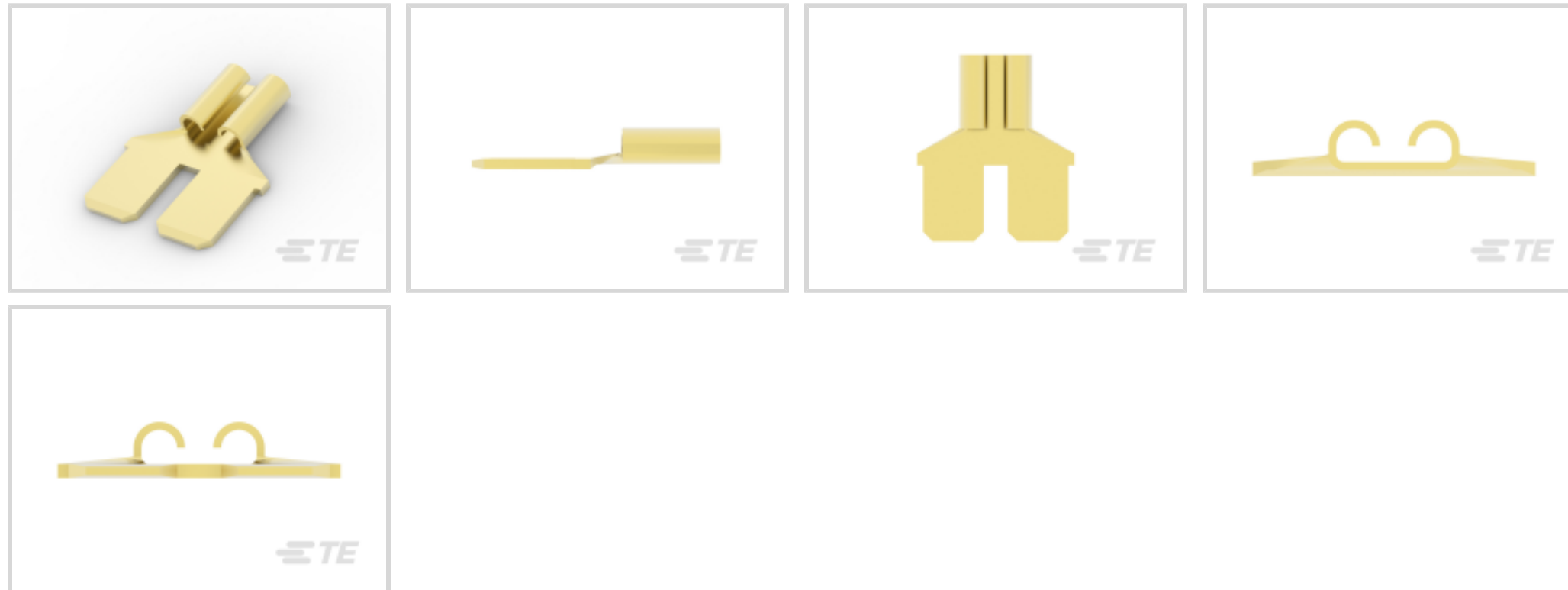
TE Internal #: 61765-1

Quick Disconnects, Tab & Receptacle, Mating Tab Width 6.35 mm [.25 in], Straight, Brass, Unplated Plating, Loose Piece/Carton, FASTON 250

[View on TE.com >](#)



Terminals & Splices > Quick Disconnects



Quick Disconnect Terminal Type: **Tab & Receptacle**

Mating Tab Width: **6.35 mm [.25 in]**

Mating Tab Thickness: **.81 mm [.032 in]**

Terminal Orientation: **Straight**

Contact Base Material: **Brass**

Features

Product Type Features

Insertion Force	Normal
-----------------	--------

Configuration Features

Connection Capacity	Single
---------------------	--------

Contact Features

Quick Disconnect Terminal Type	Tab & Receptacle
Mating Tab Width	6.35 mm [.25 in]
Mating Tab Thickness	.81 mm [.032 in]
Terminal Orientation	Straight
Contact Base Material	Brass
Terminal Plating Material	Unplated

Mechanical Attachment

Wire Insulation Support	Without
Mating Retention Type	Dimple



Dimensions

Terminal Material Thickness	.81 mm[.032 in]
Product Length	19.56 mm[.77 in]

Usage Conditions

Insulation Option	Uninsulated
Operating Temperature Range	-40 – 110 °C[-40 – 230 °F]

Industry Standards

Agency/Standard	UL
-----------------	----

Packaging Features

Packaging Quantity	1000
Packaging Method	Loose Piece/Carton

Other

Terminals & Splices Comment	Dual thickness.
-----------------------------	-----------------

Product Compliance

[For compliance documentation, visit the product page on TE.com>](#)

EU RoHS Directive 2011/65/EU	Compliant
EU ELV Directive 2000/53/EC	Compliant
China RoHS 2 Directive MIIT Order No 32, 2016	No Restricted Materials Above Threshold
EU REACH Regulation (EC) No. 1907/2006	Current ECHA Candidate List: JUNE 2023 (235) Candidate List Declared Against: JUNE 2023 (235) Does not contain REACH SVHC
Halogen Content	Low Halogen - Br, Cl, F, I < 900 ppm per homogenous material. Also BFR/CFR/PVC Free
Solder Process Capability	Not applicable for solder process capability

Product Compliance Disclaimer

This information is provided based on reasonable inquiry of our suppliers and represents our current actual knowledge based on the information they provided. This information is subject to change. The part numbers that TE has identified as EU RoHS compliant have a maximum concentration of 0.1% by weight in homogenous materials for lead, hexavalent chromium, mercury, PBB, PBDE, DBP, BBP, DEHP, DIBP, and 0.01% for cadmium, or qualify for an exemption to these limits as defined in the Annexes of Directive 2011/65/EU (RoHS2). Finished electrical and electronic equipment products will be CE marked as required by Directive 2011/65/EU. Components may not be CE marked. Additionally, the part numbers that TE has identified as EU ELV compliant have a maximum concentration of 0.1% by weight in homogenous materials for lead, hexavalent chromium, and mercury, and 0.01% for cadmium, or qualify for an exemption to these limits as defined in the Annexes of Directive 2000/53/EC (ELV). Regarding the REACH Regulation, the information TE provides on SVHC in articles for this part number is based on the latest European Chemicals Agency (ECHA) 'Guidance on

requirements for substances in articles' posted at this URL: <https://echa.europa.eu/guidance-documents/guidance-on-reach>

Compatible Parts



TE Part # 170187-2
250 FASTON,REC.,22-18 AWG,TPBR



TE Part # 61765-2
FASTON ADAPTER .250 REC TPBR



TE Part # 41729-2
250 FASTON REC 18-16 AWG TPBR



TE Part # 61810-2
FASTON .250 (6.3 MM) RECEPTACLE TPBR



TE Part # 63699-1
ADAPTER 187 FASTON TPBR



TE Part # 1-160304-0
250 FASTON,REC.,14-17AWG,BR



TE Part # 41968-2
250 FASTON REC 22-18 AWG BR



TE Part # 5-160506-1
250 FASTON REC 20-16 AWG BR




TE Part # 8-61765-1
FASTON,ADAPTER 250 HOUSING REC&TAB TPBR

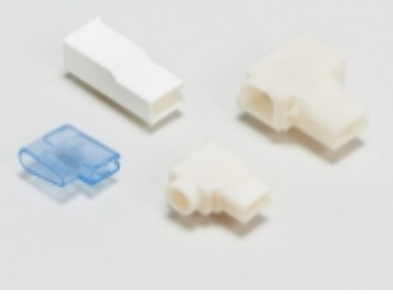


TE Part # 170187-1
250 FASTON,REC.,22-18 AWG,BR


Also in the Series | FASTON 250



Compression Connectors(4)



Crimp Terminal Housings(142)



Insertion & Extraction Tools(6)



Magnet Wire Terminals(1)



PCB Terminals(135)

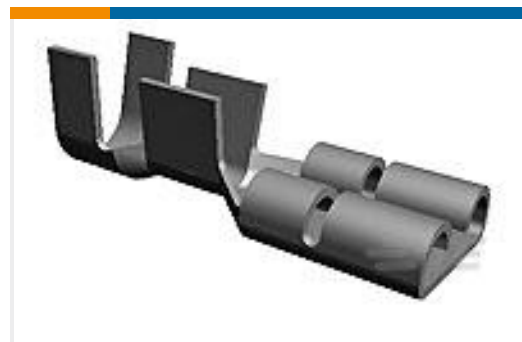
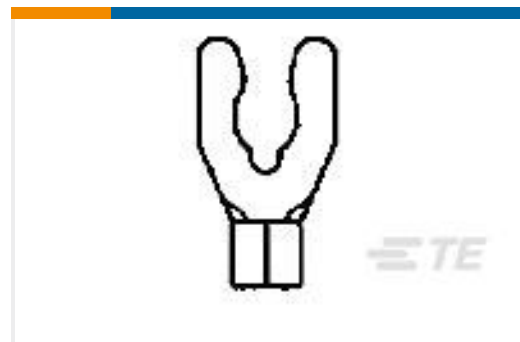
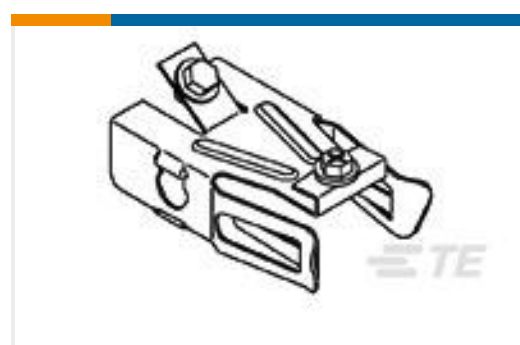
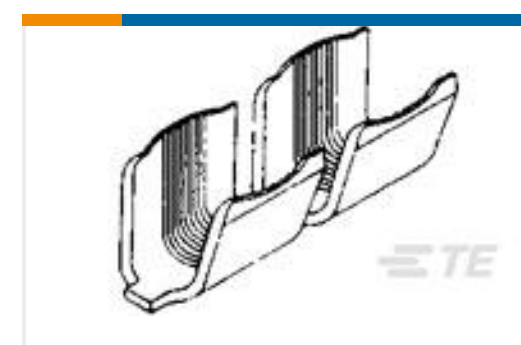


Quick Disconnects(445)



Splices(4)

Customers Also Bought

TE Part #63435-1
250 FASTON REC 14-10 AWG SPBRTE Part #53125-2
TERM,SOLIS, SPR SPD, 16-14, #10, TAPETE Part #4-1393117-2
KUP-11D11-24=KUTE Part #521366-2
ULTRA-POD 250 ASSY REC 14-10 AWG TPBRTE Part #281006-4
CLUSTER BLOCK .090 DIA.TE Part #1217836-1
HEAVY DUTY BURNER CLIP STTE Part #284633-1
SPEC. CLUSTER CONTACT TIN PLATTE Part #280003-2
AMPLIVAR SPLICE

Documents

Product Drawings

[FASTON ADAPTER .250 RECEPTACLE BR](#)

English

CAD Files

Customer View Model

[ENG_CVM_CVM_61765-1_Y.2d_dxf.zip](#)

English

[3D PDF](#)

3D

Customer View Model

[ENG_CVM_CVM_61765-1_Y.3d_igs.zip](#)

English

Customer View Model

[ENG_CVM_CVM_61765-1_Y.3d_stp.zip](#)

English

By downloading the CAD file I accept and agree to the [Terms and Conditions](#) of use.



Datasheets & Catalog Pages

FASTON Tabs

English

Product Specifications

Application Specification

English

Product Environmental Compliance

Product Compliance Document

English

Product Compliance Document

English

Agency Approvals

CSA Certificate

English

CSA Certificate

English