

61687-2 ✓ ACTIVE

FASTON | FASTON 187

TE Internal #: 61687-2

Quick Disconnects, Tab, 18 – 14 AWG Wire Size, .82 – 2.08 mm²

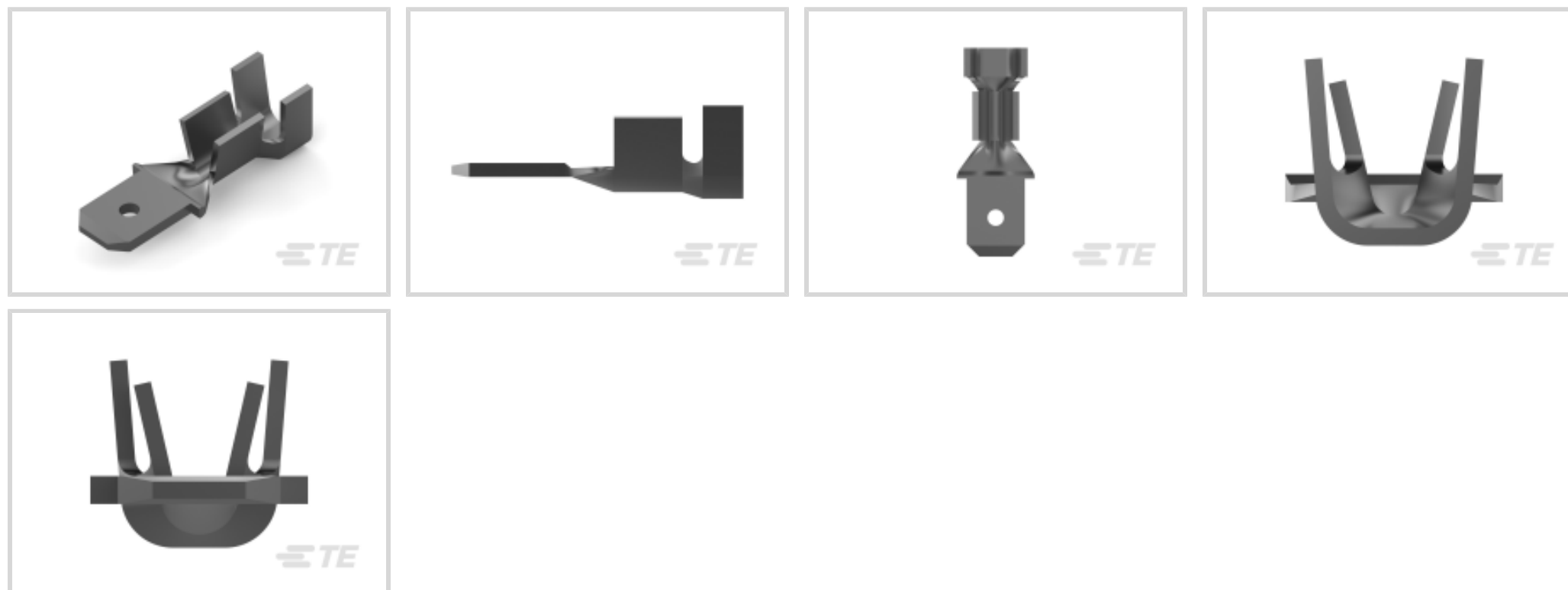
Wire Size, Mating Tab Width 4.75 mm [.187 in], Straight, Brass, Tin

Plating, FASTON 187

[View on TE.com >](#)



Terminals & Splices > Quick Disconnects



Quick Disconnect Terminal Type: **Tab**

Wire Size: **.82 – 2.08 mm²**

Mating Tab Width: **4.75 mm [.187 in]**

Mating Tab Thickness: **.81 mm [.032 in]**

Features

Configuration Features

Connection Capacity	Single
Compatible With Wire & Cable Type	Discrete Wire

Contact Features

Quick Disconnect Terminal Type	Tab
Mating Tab Width	4.75 mm [.187 in]
Mating Tab Thickness	.81 mm [.032 in]
Terminal Orientation	Straight
Contact Base Material	Brass
Terminal Plating Material	Tin
Crimp Type	F-Crimp
Barrel Type	Open

Termination Features

Product Terminates To	Wire & Cable
-----------------------	--------------

Mechanical Attachment



Wire Insulation Support	With
-------------------------	------

Mating Retention Type	Dimple
-----------------------	--------

Dimensions

Terminal Material Thickness	.81 mm[.032 in]
-----------------------------	-----------------

Product Length	17.14 mm[.675 in]
----------------	-------------------

Compatible Insulation Diameter Range	3.05 – 3.81 mm[.12 – .15 in]
--------------------------------------	------------------------------

Wire Size	.82 – 2.08 mm ²
-----------	----------------------------

Usage Conditions

Insulation Option	Uninsulated
-------------------	-------------

Operating Temperature Range	-40 – 110 °C[-40 – 230 °F]
-----------------------------	----------------------------

Industry Standards

Agency/Standard	UL
-----------------	----

Packaging Features

Packaging Quantity	3500
--------------------	------

Packaging Method	Strip/Reel
------------------	------------

Other

Terminals & Splices Comment	Premilled dual stock thickness.
-----------------------------	---------------------------------

Product Compliance

[For compliance documentation, visit the product page on TE.com>](#)

EU RoHS Directive 2011/65/EU	Compliant
------------------------------	-----------

EU ELV Directive 2000/53/EC	Compliant
-----------------------------	-----------

China RoHS 2 Directive MIIT Order No 32, 2016	No Restricted Materials Above Threshold
---	---

EU REACH Regulation (EC) No. 1907/2006	Current ECHA Candidate List: JUNE 2023 (235) Candidate List Declared Against: JUNE 2022 (224) Does not contain REACH SVHC
--	---

Halogen Content	Low Halogen - Br, Cl, F, I < 900 ppm per homogenous material. Also BFR/CFR/PVC Free
-----------------	---

Solder Process Capability	Not applicable for solder process capability
---------------------------	--

Product Compliance Disclaimer

This information is provided based on reasonable inquiry of our suppliers and represents our current actual knowledge based on the information they provided. This information is subject to change. The part numbers that TE has identified as EU RoHS compliant have a maximum concentration of 0.1% by weight in homogenous materials for lead, hexavalent chromium, mercury, PBB, PBDE, DBP, BBP, DEHP, DIBP, and 0.01% for cadmium, or qualify for an exemption to these limits as defined in the Annexes of Directive 2011/65/EU (RoHS2). Finished electrical and electronic equipment products will be CE marked as required by Directive 2011/65/EU. Components may not be CE marked. Additionally, the part numbers that TE has identified as EU ELV compliant have a maximum concentration of 0.1% by weight in homogenous materials for lead, hexavalent chromium, and mercury, and 0.01% for cadmium, or qualify for an exemption to these limits as defined in the Annexes of Directive 2000/53/EC (ELV). Regarding the REACH Regulation, the information TE provides on SVHC in articles for this part number is based on the latest European Chemicals Agency (ECHA) 'Guidance on requirements for substances in articles' posted at this URL: <https://echa.europa.eu/guidance-documents/guidance-on-reach>

Compatible Parts



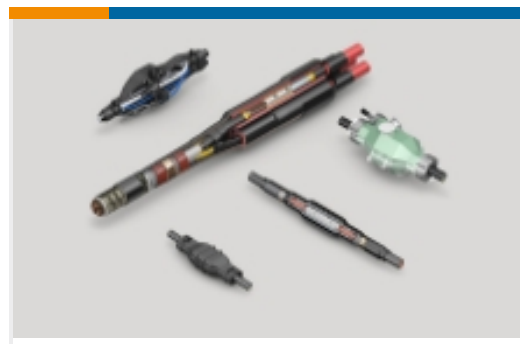
Also in the Series | **FASTON 187**



Crimp Terminal Housings(42)



Insertion & Extraction Tools(1)



Joints & Splices(1)



PCB Terminals(42)

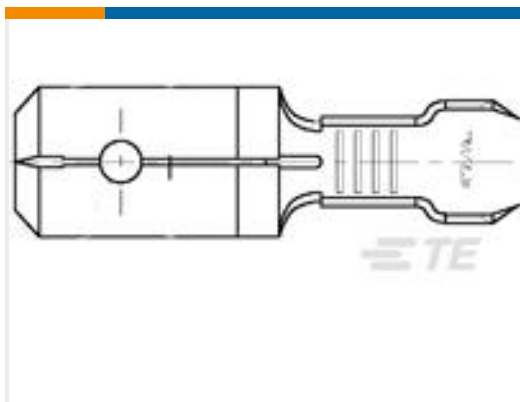


Quick Disconnects(209)

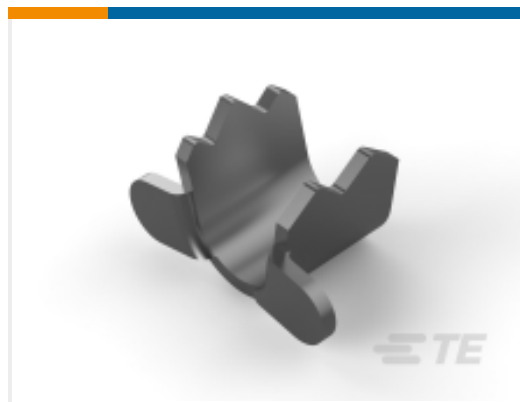


Splices(1)

Customers Also Bought



TE Part #61281-3
 250 FASTON TAB 14-12 AWG TPBR



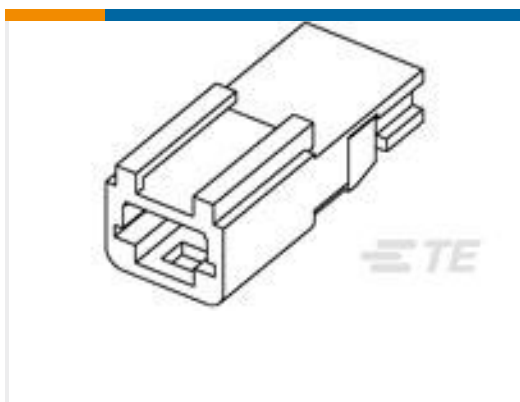
TE Part #61831-1
 WING TYPE STRAIN RELIEF TPST



TE Part #1217094-1
 RCPT 250 POS-LOCK 18-14 0126BR



TE Part #7-2176363-4
 RQ 0402 2K49 0.1% 10PPM 5K RL



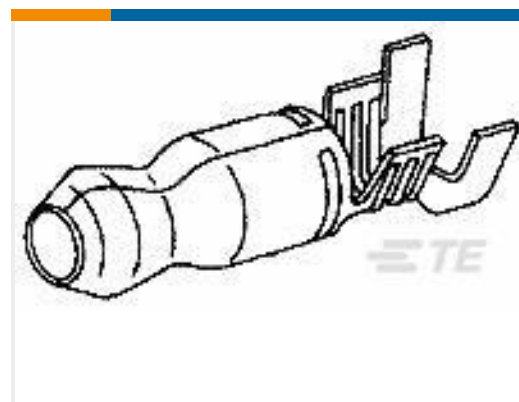
TE Part #1612035-1
 025 G 4POS CAP W TO W



TE Part #2-2299782-1
 8POS,MIXED,REC HSG,ASSY,SLD



TE Part #2600023-1
 2CCT BLACK PLUG W/SMALL SEAL



TE Part #505038-1
 SHUR PLUG 180 CRIMP TAB 20-16
 AWG BR



TE Part #2600025-1
 2CCT ML-XT WEDGELOCK PLUG
 GREEN

Documents



Product Drawings

187 FASTON TAB 18-14 AWG TPBR

English

CAD Files

3D PDF

3D

Customer View Model

[ENG_CVM_CVM_61687-2_U.2d_dxf.zip](#)

English

Customer View Model

[ENG_CVM_CVM_61687-2_U.3d_igs.zip](#)

English

Customer View Model

[ENG_CVM_CVM_61687-2_U.3d_stp.zip](#)

English

By downloading the CAD file I accept and agree to the [Terms and Conditions](#) of use.

Datasheets & Catalog Pages

FASTON Tabs

English

Product Environmental Compliance

[MD_61687-2_10142015832_dmtec](#)

English

[MD_61687-2_10142015832_dmtec](#)

English