

61622-1 ✓ ACTIVE

AMP-IN

TE Internal #: 61622-1

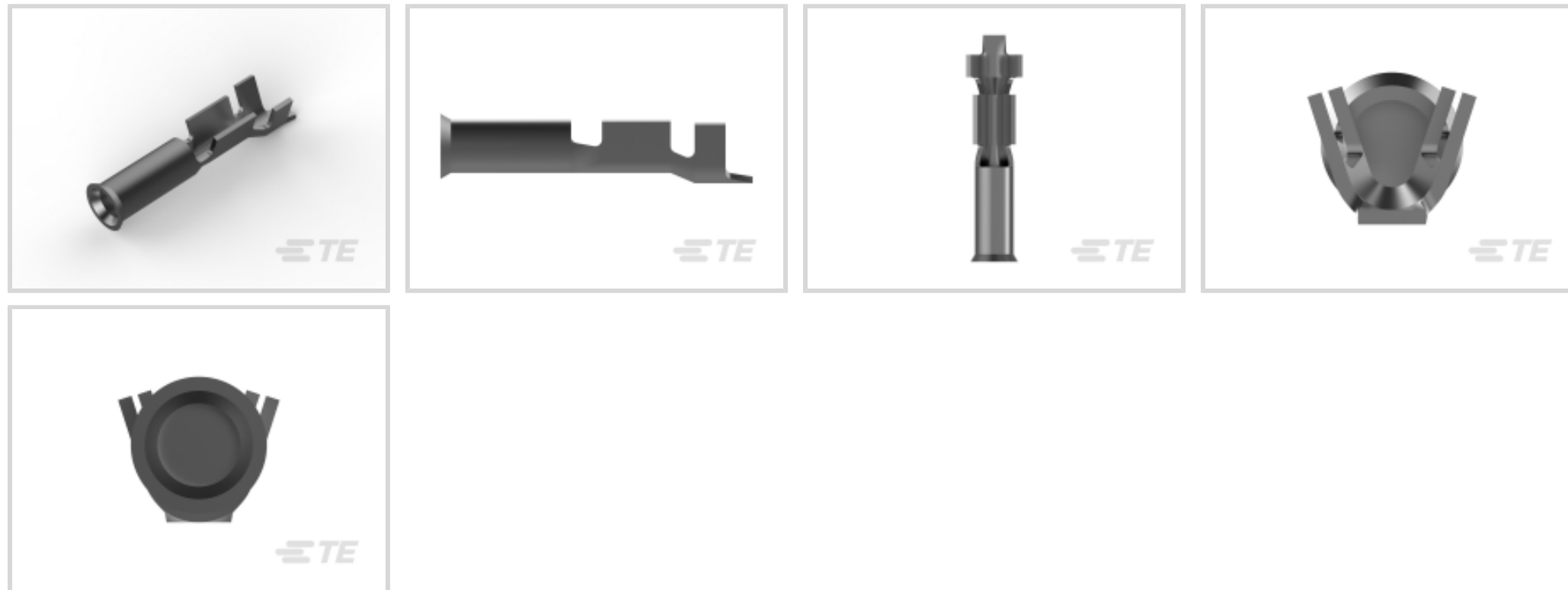
Crimp Wire Pins, Tabs & Ferrules, Receptacle, Mating Pin Diameter

1.14 mm [.045 in], 24 – 20 AWG Wire Size, .2 – .6 mm<sup>2</sup> Wire Size

[View on TE.com >](#)



Terminals & Splices > Crimp Wire Pins, Tabs & Ferrules



Crimp Wire Terminal Type: **Receptacle**

Mating Pin Diameter: **1.14 mm [.045 in]**

Compatible Insulation Diameter Range: **1.78 mm [.07 in]**

Wire Size: **.2 – .6 mm<sup>2</sup>**

### Features

#### Product Type Features

|  |                    |
|--|--------------------|
| Compatible With Discrete Wire Type     | Stranded           |
| Wire Insulation Support Retention Type | Insulation Support |

#### Configuration Features

|                                   |               |
|-----------------------------------|---------------|
| Compatible With Wire & Cable Type | Discrete Wire |
|-----------------------------------|---------------|

#### Contact Features

|                            |                   |
|----------------------------|-------------------|
| Contact Mating Area Length | 4.83 mm           |
| Crimp Wire Terminal Type   | Receptacle        |
| Mating Pin Diameter        | 1.14 mm [.045 in] |
| Barrel Type                | Open              |
| Terminal Plating Material  | Tin               |
| Contact Shape & Form       | Square            |
| Terminal Orientation       | Straight          |

#### Mechanical Attachment

|                         |      |
|-------------------------|------|
| Wire Insulation Support | With |
|-------------------------|------|

#### Dimensions



|                                      |                                 |
|--------------------------------------|---------------------------------|
| Compatible Insulation Diameter Range | 1.78 mm[.07 in]                 |
| Wire Size                            | 404 – 1021 CMA                  |
| Barrel Inside Diameter               | .38 mm, .76 mm[.015 in][.03 in] |
| Terminal Material Thickness          | .25 mm[.01 in]                  |
| Overall Product Length               | 10.54 mm[.414 in]               |

### Usage Conditions

|                             |                            |
|-----------------------------|----------------------------|
| Insulation Option           | Uninsulated                |
| Operating Temperature Range | -55 – 105 °C[-67 – 221 °F] |

### Packaging Features

|                  |      |
|------------------|------|
| Packaging Method | Reel |
|------------------|------|

### Product Compliance

[For compliance documentation, visit the product page on TE.com>](#)

|   |   |
|---|---|
| EU RoHS Directive 2011/65/EU                  | Compliant   |
| EU ELV Directive 2000/53/EC                   | Compliant   |
| China RoHS 2 Directive MIIT Order No 32, 2016 | No Restricted Materials Above Threshold   |
| EU REACH Regulation (EC) No. 1907/2006        | Current ECHA Candidate List: JUNE 2023 (235)<br>Candidate List Declared Against: JUNE 2023 (235)<br>Does not contain REACH SVHC |
| Halogen Content                               | Low Halogen - Br, Cl, F, I < 900 ppm per homogenous material. Also BFR/CFR/PVC Free   |
| Solder Process Capability                     | Not applicable for solder process capability  |

#### Product Compliance Disclaimer

This information is provided based on reasonable inquiry of our suppliers and represents our current actual knowledge based on the information they provided. This information is subject to change. The part numbers that TE has identified as EU RoHS compliant have a maximum concentration of 0.1% by weight in homogenous materials for lead, hexavalent chromium, mercury, PBB, PBDE, DBP, BBP, DEHP, DIBP, and 0.01% for cadmium, or qualify for an exemption to these limits as defined in the Annexes of Directive 2011/65/EU (RoHS2). Finished electrical and electronic equipment products will be CE marked as required by Directive 2011/65/EU. Components may not be CE marked. Additionally, the part numbers that TE has identified as EU ELV compliant have a maximum concentration of 0.1% by weight in homogenous materials for lead, hexavalent chromium, and mercury, and 0.01% for cadmium, or qualify for an exemption to these limits as defined in the Annexes of Directive 2000/53/EC (ELV). Regarding the REACH Regulation, the information TE provides on SVHC in articles for this part number is based on the latest European Chemicals Agency (ECHA) 'Guidance on requirements for substances in articles' posted at this URL: <https://echa.europa.eu/guidance-documents/guidance-on-reach>

### Compatible Parts



TE Part # 2305570-1  
Strip Terminal Cutter-Side Feed-No Crimp



TE Part # 2151427-1  
OCEAN\_2.0\_Applicator-S-055F0800



TE Part # 2151427-2  
OCEAN\_2.0\_Applicator-S-055F0800



TE Part # 7-2151427-1  
OCEAN\_2.0\_Applicator-S-055F0800



TE Part # 7-2151427-2  
OCEAN\_2.0\_Applicator-S-055F0800



TE Part # 7-2151427-7  
OCEAN\_2.0\_SPARE\_PART\_KIT-055F0800



TE Part # 2-2151427-1  
OCEAN\_2.0\_Applicator-S-055F0800

### Customers Also Bought



TE Part #206838-2  
RECEPT,SZ 23,CPC



TE Part #175783-1  
070 MLC CAP H ASSY SGL 6P NAT.



TE Part #1825027-8  
FSMRA3JH04=R/A,TACT PB SW,160G



TE Part #3-2213766-9  
AV19 SPL 5A POWER LED BLUE 24V



TE Part #1438299-2  
GET MALE TERM, A, SN



TE Part #2321919-4  
Sealed Connector: TPAs, Signal Double Lock, 2.5 mm



TE Part #6-1490019-5  
CRIMPER, WIRE (.070" 'F')



TE Part #1-690482-8  
PLATE SHEAR FRONT



TE Part #1633098-9  
ANVIL

### Documents



### Product Drawings

[045SQ POST REC 24-20 010PTPBR](#)

English

---

### CAD Files

[3D PDF](#)

3D

Customer View Model

[ENG\\_CVM\\_CVM\\_61622-1\\_L\\_c-61622-1-l.2d\\_dxf.zip](#)

English

Customer View Model

[ENG\\_CVM\\_CVM\\_61622-1\\_L\\_c-61622-1-l.3d\\_igs.zip](#)

English

Customer View Model

[ENG\\_CVM\\_CVM\\_61622-1\\_L\\_c-61622-1-l.3d\\_stp.zip](#)

English

By downloading the CAD file I accept and agree to the [Terms and Conditions](#) of use.

---

### Product Specifications

[Application Specification](#)

English

---

### Product Environmental Compliance

[MD\\_61622-1\\_01102017921\\_dmtec](#)

English

[MD\\_61622-1\\_01102017921\\_dmtec](#)

English