



DEUTSCH

TE Internal #: 6162-233-1277

RF Contacts, Cable-to-Cable, 1 Position, Wire & Cable, Pin,
Straight, None, Contact Mating Retention, 23 A, Power & Signal[View on TE.com >](#)

Connectors > RF Connectors > RF Contacts

Connector System: **Cable-to-Cable**Number of Positions: **1**Connector & Contact Terminates To: **Wire & Cable**Contact Type: **Pin**Contact Orientation: **Straight****Features****Product Type Features**

Connector System	Cable-to-Cable
Connector & Contact Terminates To	Wire & Cable

Configuration Features

Number of Positions	1
---------------------	---

Contact Features

Contact Type	Pin
Contact Orientation	Straight
RF Connector Center Contact Plating Material	None
Contact Mating Retention	With
Contact Current Rating (Max)	23 A

Usage Conditions

Compatible With Connector Style	Plug
---------------------------------	------

Operation/Application

Circuit Application	Power & Signal
---------------------	----------------

Packaging Features

Packaging Quantity	1
Packaging Method	Bag

Product Compliance[For compliance documentation, visit the product page on TE.com>](#)

EU RoHS Directive 2011/65/EU	Compliant with Exemptions
------------------------------	---------------------------



EU ELV Directive 2000/53/EC

Compliant with Exemptions

China RoHS 2 Directive MIIT Order No 32, 2016

Restricted Materials Above Threshold

EU REACH Regulation (EC) No. 1907/2006

Current ECHA Candidate List: JUNE 2023 (235)

Candidate List Declared Against: JAN 2023 (233)

SVHC > Threshold:

Pb (1.2% in Lead-Copper Contact)

Article Safe Usage Statements:

Do not eat, drink or smoke when using this product. Wash thoroughly after handling. Recycle if possible and dispose of the article by following all applicable governmental regulations relevant to your geographic location.

Halogen Content

Low Halogen - Br, Cl, F, I < 900 ppm per homogenous material. Also BFR/CFR/PVC Free

Solder Process Capability

Not reviewed for solder process capability

Product Compliance Disclaimer

This information is provided based on reasonable inquiry of our suppliers and represents our current actual knowledge based on the information they provided. This information is subject to change. The part numbers that TE has identified as EU RoHS compliant have a maximum concentration of 0.1% by weight in homogenous materials for lead, hexavalent chromium, mercury, PBB, PBDE, DBP, BBP, DEHP, DIBP, and 0.01% for cadmium, or qualify for an exemption to these limits as defined in the Annexes of Directive 2011/65/EU (RoHS2). Finished electrical and electronic equipment products will be CE marked as required by Directive 2011/65/EU. Components may not be CE marked. Additionally, the part numbers that TE has identified as EU ELV compliant have a maximum concentration of 0.1% by weight in homogenous materials for lead, hexavalent chromium, and mercury, and 0.01% for cadmium, or qualify for an exemption to these limits as defined in the Annexes of Directive 2000/53/EC (ELV). Regarding the REACH Regulation, the information TE provides on SVHC in articles for this part number is based on the latest European Chemicals Agency (ECHA) 'Guidance on requirements for substances in articles' posted at this URL: <https://echa.europa.eu/guidance-documents/guidance-on-reach>

Customers Also Bought



TE Part #38943-22L
CONT SOC ASSY



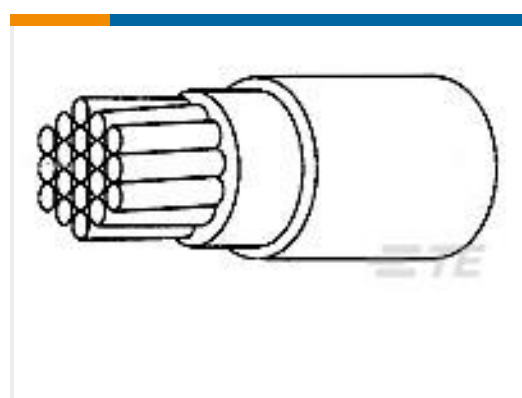
TE Part #2-2176369-4
RQ 0603 69R8 0.1% 10PPM 5K RL



TE Part #T1230100132-000
H10B-TSH-M32



TE Part #YDTS26Z17-06SNC001
PLUG ASSY



TE Part #1151453001
99M0111-26-2L



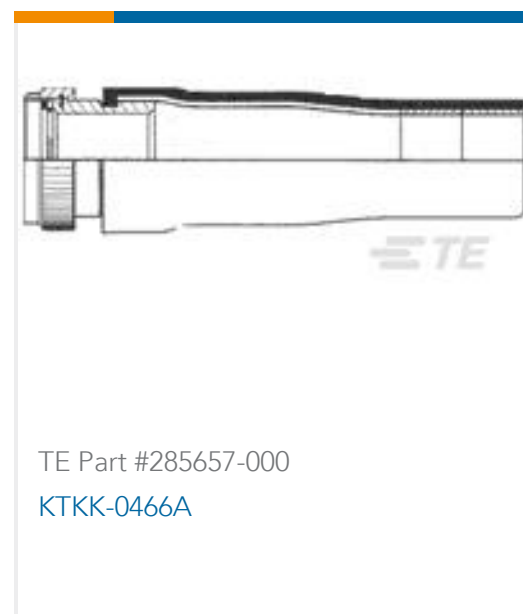
TE Part #K1018833
Relay-ECS 26-05-93-050



TE Part #908739-000
7526J1660-9



TE Part #DTS26W25-20AN-987W
CONN.38999 PLUG EXT W/OUT PIN



Documents

Product Drawings

COAX PIN ASSY

English

CAD Files

3D PDF

3D

Customer View Model

[ENG_CVM_CVM_6162-233-1277_1.2d_dxf.zip](#)

English

Customer View Model

[ENG_CVM_CVM_6162-233-1277_1.3d_igs.zip](#)

English

Customer View Model

[ENG_CVM_CVM_6162-233-1277_1.3d_stp.zip](#)

English

By downloading the CAD file I accept and agree to the [Terms and Conditions](#) of use.

Instruction Sheets

Instruction Sheet (U.S.)

English