

61455-2 ✓ ACTIVE

AMP-IN

TE Internal #: 61455-2

PCB Terminals, Receptacle, 30 – 22 AWG Wire Size, .05 – .33 mm<sup>2</sup>

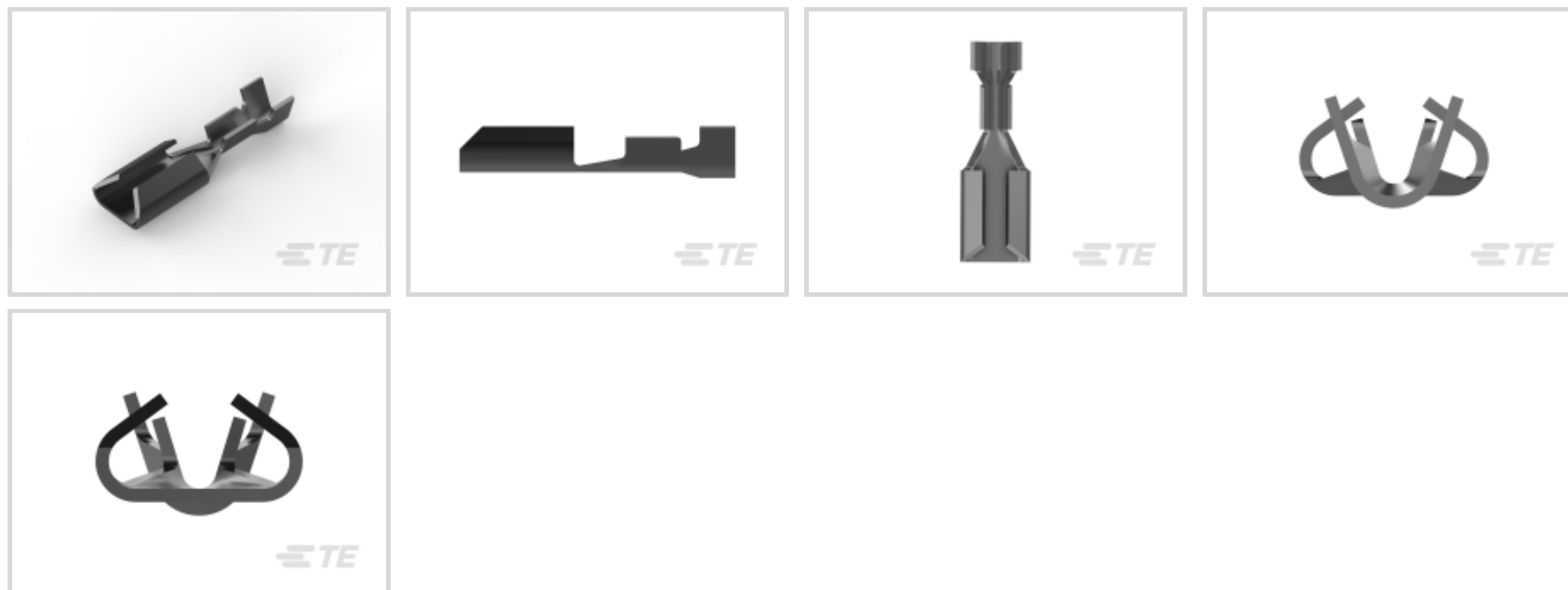
Wire Size, Through Hole - Solder, Tin Plating, None, Reel,

Terminates To Wire & Cable

[View on TE.com >](#)



Terminals & Splices > PCB Terminals



PCB Terminal Type: **Receptacle**

Compatible Insulation Diameter (Max): **1.9 mm [ .075 in ]**

Compatible Insulation Diameter Range: **1.91 mm [ .075 in ]**

Wire Size: **.05 – .33 mm<sup>2</sup>**

### Features

#### Product Type Features

Wire Insulation Support Retention Type	Open Barrel
--	-------------

#### Contact Features

Contact Mating Area Plating Material Thickness	2.03 – 5.08 μm[80 – 200 μin]
PCB Terminal Type	Receptacle
Terminal Plating Material	Tin
Contact Underplating Material	None
Terminal Size	Miniature
Terminal Orientation	Straight

#### Termination Features

Termination Method to Printed Circuit Board	Through Hole - Solder
Product Terminates To	Wire & Cable

#### Mechanical Attachment

Wire Insulation Support	With
-------------------------	------

#### Dimensions



Terminal Material Thickness	.25 mm[.01 in]
Compatible Insulation Diameter (Max)	1.9 mm[.075 in]
Compatible Insulation Diameter Range	1.91 mm[.075 in]
Wire Size	.05 – .33 mm <sup>2</sup>

### Usage Conditions

Insulation Option	Uninsulated
Operating Temperature Range	-40 – 105 °C[-40 – 221 °F]

### Packaging Features

Packaging Quantity	20000
Packaging Method	Reel

### Other

Terminals & Splices Comment	Machine applied applicator required., Two dimples outside (0.25 [.010] high).
-----------------------------	---

## Product Compliance

[For compliance documentation, visit the product page on TE.com>](#)

EU RoHS Directive 2011/65/EU	Compliant
EU ELV Directive 2000/53/EC	Compliant
China RoHS 2 Directive MIIT Order No 32, 2016	No Restricted Materials Above Threshold
EU REACH Regulation (EC) No. 1907/2006	Current ECHA Candidate List: JUNE 2023 (235) Candidate List Declared Against: JUNE 2023 (235) Does not contain REACH SVHC
Halogen Content	Low Halogen - Br, Cl, F, I < 900 ppm per homogenous material. Also BFR/CFR/PVC Free
Solder Process Capability	Not applicable for solder process capability

#### Product Compliance Disclaimer

This information is provided based on reasonable inquiry of our suppliers and represents our current actual knowledge based on the information they provided. This information is subject to change. The part numbers that TE has identified as EU RoHS compliant have a maximum concentration of 0.1% by weight in homogenous materials for lead, hexavalent chromium, mercury, PBB, PBDE, DBP, BBP, DEHP, DIBP, and 0.01% for cadmium, or qualify for an exemption to these limits as defined in the Annexes of Directive 2011/65/EU (RoHS2). Finished electrical and electronic equipment products will be CE marked as required by Directive 2011/65/EU. Components may not be CE marked. Additionally, the part numbers that TE has identified as EU ELV compliant have a maximum concentration of 0.1% by weight in homogenous materials for lead, hexavalent chromium, and mercury, and 0.01% for cadmium, or qualify for an exemption to these limits as defined in the Annexes of Directive 2000/53/EC (ELV). Regarding the REACH Regulation, the information TE provides

on SVHC in articles for this part number is based on the latest European Chemicals Agency (ECHA) 'Guidance on requirements for substances in articles' posted at this URL: <https://echa.europa.eu/guidance-documents/guidance-on-reach>

## Compatible Parts



TE Part # 61561-2  
AMP-EDGE TERM 22-18 SN/PHBZ



TE Part # 2-2150765-1  
OCEAN\_2.0\_Applicator-E-055F0800



TE Part # 2-2150765-2  
OCEAN\_2.0\_Applicator-E-055F0800



TE Part # 2150765-1  
OCEAN\_2.0\_Applicator-E-055F0800



TE Part # 2150765-2  
OCEAN\_2.0\_Applicator-E-055F0800



TE Part # 60156-2  
AMP EDGE TERM IS 20-18 016TPBR



TE Part # 7-2150765-1  
OCEAN\_2.0\_Applicator-E-055F0800



TE Part # 7-2150765-2  
OCEAN\_2.0\_Applicator-E-055F0800



**KIT**  
REPRESENTATION ONLY

TE Part # 7-2150765-7  
OCEAN\_2.0\_SPARE\_PART\_KIT-055F0800



TE Part # 61782-2  
AMPEDGE FLAG 22-16 .0126TPBR

## Customers Also Bought



TE Part #324915  
PIDG Ring Tongue Terminals



TE Part #1-487545-7  
FFC Receptacle Housing: 1.27mm



TE Part #3-1534903-5  
MQS, CONNECTOR HOUSING



TE Part #1394908-3  
SHIELD, 180 DEG., 60POSN. RECE



## Documents

### Product Drawings

[AMP EDGE TERM IS 30-22 TPPHBZ](#)

English

### CAD Files

[3D PDF](#)

English

Customer View Model

[ENG\\_CVM\\_61455-2\\_G.3d\\_igs.zip](#)

English

Customer View Model

[ENG\\_CVM\\_61455-2\\_G.3d\\_stp.zip](#)

English

Customer View Model

[ENG\\_CVM\\_61455-2\\_G.2d\\_dxf.zip](#)

English

[3D PDF](#)

3D

Customer View Model

[ENG\\_CVM\\_CVM\\_61455-2\\_P.2d\\_dxf.zip](#)

English

Customer View Model

[ENG\\_CVM\\_CVM\\_61455-2\\_P.3d\\_igs.zip](#)

English

Customer View Model

[ENG\\_CVM\\_CVM\\_61455-2\\_P.3d\\_stp.zip](#)

English

By downloading the CAD file I accept and agree to the [Terms and Conditions](#) of use.

### Datasheets & Catalog Pages

[PRINTED CIRCUIT BOARD TERMINALS AND DISCONNECTS](#)

English

### Product Specifications

[Product Specification](#)

English



## Terminal, AMP EDGE

English

---

### Product Environmental Compliance

[MD\\_61455-2\\_12062017147\\_dmtec](#)

English

[MD\\_61455-2\\_12062017147\\_dmtec](#)

English