

61280-2 ✓ ACTIVE

TE Internal #: 61280-2

Special Purpose Terminals, Button, 20 – 16 AWG Wire Size, .5 – 1.4 mm² Wire Size, Unplated Plating, Length .235 in [5.97 mm], Reel, Straight

[View on TE.com >](#)



Terminals & Splices > Special Purpose Terminals



Special Purpose Terminal Type: **Button**

Wire Size: **.5 – 1.4 mm²**

Terminal Material Thickness: **.41 mm [.016 in]**

Terminal Plating Material: **Unplated**

Features

Product Type Features

Wire Insulation Support Retention Type	Non-Insulation Support
Sealable	No

Configuration Features

Compatible With Wire & Cable Type	Discrete Wire
-----------------------------------	---------------

Contact Features

Barrel Type	Open
Special Purpose Terminal Type	Button
Terminal Plating Material	Unplated
Terminal Orientation	Straight

Mechanical Attachment

Wire Insulation Support	Without
-------------------------	---------

Dimensions

Wire Size	.5 – 1.4 mm ²
Terminal Material Thickness	.41 mm [.016 in]
Product Length	5.97 mm [.235 in]

Usage Conditions

Insulation Option	Uninsulated
-------------------	-------------

Packaging Features

Packaging Quantity	4000
Packaging Method	Reel

Product Compliance

[For compliance documentation, visit the product page on TE.com>](#)

EU RoHS Directive 2011/65/EU	Compliant
EU ELV Directive 2000/53/EC	Compliant
China RoHS 2 Directive MIIT Order No 32, 2016	No Restricted Materials Above Threshold
EU REACH Regulation (EC) No. 1907/2006	Current ECHA Candidate List: JUNE 2023 (235) Candidate List Declared Against: JUNE 2023 (235) Does not contain REACH SVHC
Halogen Content	Low Halogen - Br, Cl, F, I < 900 ppm per homogenous material. Also BFR/CFR/PVC Free
Solder Process Capability	Not applicable for solder process capability

Product Compliance Disclaimer

This information is provided based on reasonable inquiry of our suppliers and represents our current actual knowledge based on the information they provided. This information is subject to change. The part numbers that TE has identified as EU RoHS compliant have a maximum concentration of 0.1% by weight in homogenous materials for lead, hexavalent chromium, mercury, PBB, PBDE, DBP, BBP, DEHP, DIBP, and 0.01% for cadmium, or qualify for an exemption to these limits as defined in the Annexes of Directive 2011/65/EU (RoHS2). Finished electrical and electronic equipment products will be CE marked as required by Directive 2011/65/EU. Components may not be CE marked. Additionally, the part numbers that TE has identified as EU ELV compliant have a maximum concentration of 0.1% by weight in homogenous materials for lead, hexavalent chromium, and mercury, and 0.01% for cadmium, or qualify for an exemption to these limits as defined in the Annexes of Directive 2000/53/EC (ELV). Regarding the REACH Regulation, the information TE provides on SVHC in articles for this part number is based on the latest European Chemicals Agency (ECHA) 'Guidance on requirements for substances in articles' posted at this URL: <https://echa.europa.eu/guidance-documents/guidance-on-reach>

Compatible Parts




TE Part # 2305570-1
Strip Terminal Cutter-Side Feed-No Crimp



TE Part # 61480-2
PHASING LINE CLIP TPCUBR



TE Part # 2-2836855-1
OCEAN_2.0_APPLICATOR-S-110F



TE Part # 2-2836855-2
OCEAN_2.0_APPLICATOR-S-110F



TE Part # 2836855-1
OCEAN_2.0_APPLICATOR-S-110F



TE Part # 2836855-2
OCEAN_2.0_APPLICATOR-S-110F



TE Part # 61280-1
BUTTON CONTACT 20-16 AWG BR

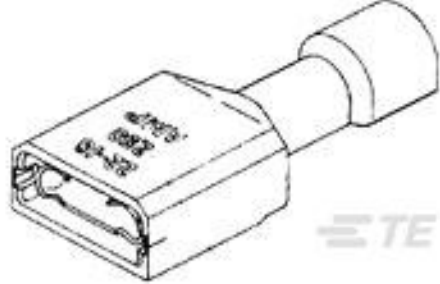


TE Part # 7-2836855-7
OCEAN_2.0_SPARE_PART_KIT-110F

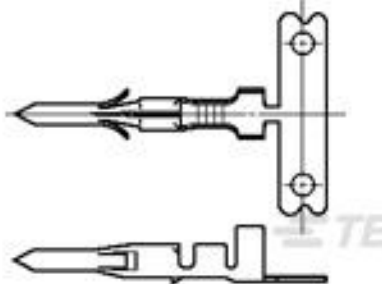
Customers Also Bought



TE Part #770090-1
06P .093 COMM P&S PLUG HSG



TE Part #2-520272-2
ULTRA-FAST .110/.125 ASY REC 22-18 TPBR



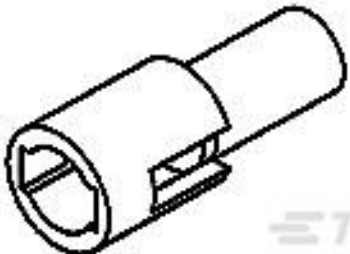
TE Part #350629-1
.062 COMM P&S PIN 18-24 PTPBR



TE Part #1217070-1
SHUR PLUG 180 RECEPTACLE 12-8 AWG TPBR



TE Part #1-456134-4
CRIMPER, INSULATION "F"(.140")



TE Part #770278-1
01P .062 COMM P&S PLUG




TE Part #1-456408-3
CRIMPER WIRE .110 F



TE Part #2151225-1
OCEAN_2.0_APPLICATOR-S-035F059F



TE Part #7-2151225-7
OCEAN_2.0_SPARE_PART_KIT-055F110F



TE Part #690602-5
CAM TERM FEED

Documents



Product Drawings

BUTTON CONTACT 20-16 AWG BR

English

CAD Files

3D PDF

3D

Customer View Model

[ENG_CVM_CVM_61280-2_U.2d_dxf.zip](#)

English

Customer View Model

[ENG_CVM_CVM_61280-2_U.3d_igs.zip](#)

English

Customer View Model

[ENG_CVM_CVM_61280-2_U.3d_stp.zip](#)

English

By downloading the CAD file I accept and agree to the [Terms and Conditions](#) of use.

Product Specifications

Application Specification

English

Carbon Brush Contact

English