

61233-1 ✓ ACTIVE

MATE-N-LOK | Commercial MATE-N-LOK

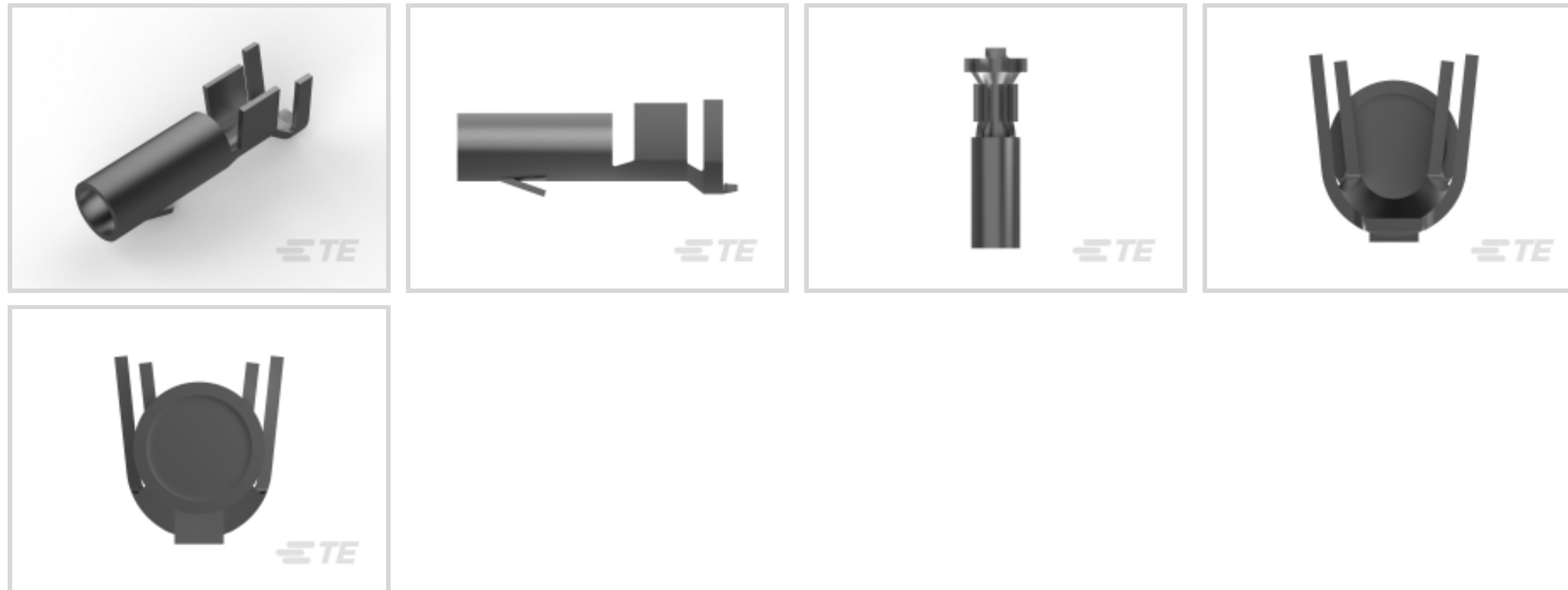
TE Internal #: 61233-1

Power Contacts, Contact, 600 VAC, Tin, 12 – 10 AWG Wire Size,
3.31 – 5.26 mm² Wire Size, Wire & Cable, Crimp, Power, Socket,
Commercial MATE-N-LOK

[View on TE.com >](#)



Connectors > Power Connectors > Power Contacts



Power Contact Type: **Contact**

Operating Voltage: **600 VAC**

Contact Mating Area Plating Material: **Tin**

Wire Size: **3.31 – 5.26 mm²**

Features

Product Type Features

Power Contact Type	Contact
Connector & Contact Terminates To	Wire & Cable

Electrical Characteristics

Operating Voltage	600 VAC
-------------------	---------

Contact Features

Contact Shape & Form	Round
Barrel Type	Open
Contact Mating Area Plating Material	Tin
Contact Current Rating (Max)	32.48 A
Contact Type	Socket
Contact Retention Within Housing	With
Mating Pin Diameter	3.93 mm [.155 in]
Contact Base Material	Brass
Wire Contact Termination Area Plating Material	Tin
Contact Orientation	Straight



Termination Features

Termination Method to Wire & Cable	Crimp
------------------------------------	-------

Mechanical Attachment

Contact Retention Type Within Housing	Locking Lance
Wire Insulation Support	Without

Dimensions

Wire Size	3.31 – 5.26 mm ²
Compatible Insulation Diameter Range	4.7 mm [.185 in]

Usage Conditions

Operating Temperature Range	-55 – 105 °C [-67 – 221 °F]
-----------------------------	-----------------------------

Operation/Application

Circuit Application	Power
---------------------	-------

Industry Standards

Agency/Standard	CSA, UL
UL Flammability Rating	UL 94V-2

Packaging Features

Packaging Quantity	2000
Packaging Method	Reel

Product Compliance

[For compliance documentation, visit the product page on TE.com>](#)

EU RoHS Directive 2011/65/EU	Compliant
EU ELV Directive 2000/53/EC	Compliant
China RoHS 2 Directive MIIT Order No 32, 2016	No Restricted Materials Above Threshold
EU REACH Regulation (EC) No. 1907/2006	Current ECHA Candidate List: JUNE 2023 (235) Candidate List Declared Against: JUNE 2023 (235) Does not contain REACH SVHC
Halogen Content	Low Halogen - Br, Cl, F, I < 900 ppm per homogenous material. Also BFR/CFR/PVC Free
Solder Process Capability	Not applicable for solder process capability

Product Compliance Disclaimer

This information is provided based on reasonable inquiry of our suppliers and represents our current actual knowledge based on the information they provided. This information is subject to change. The part numbers that TE has identified as EU RoHS compliant have a maximum concentration of 0.1% by weight in homogenous materials for lead, hexavalent chromium, mercury, PBB, PBDE, DBP, BBP, DEHP, DIBP, and 0.01% for cadmium, or qualify for an exemption to these limits as defined in the Annexes of Directive 2011/65/EU (RoHS2). Finished electrical and electronic equipment products will be CE marked as required by Directive 2011/65/EU. Components may not be CE marked. Additionally, the part numbers that TE has identified as EU ELV compliant have a maximum concentration of 0.1% by weight in homogenous materials for lead, hexavalent chromium, and mercury, and 0.01% for cadmium, or qualify for an exemption to these limits as defined in the Annexes of Directive 2000/53/EC (ELV). Regarding the REACH Regulation, the information TE provides on SVHC in articles for this part number is based on the latest European Chemicals Agency (ECHA) 'Guidance on requirements for substances in articles' posted at this URL: <https://echa.europa.eu/guidance-documents/guidance-on-reach>

Compatible Parts



TE Part # 794412-1
03P .156 MNL PLUG HSG



TE Part # 794116-1
04P .156 MNL PLUG



TE Part # 2305570-1
Strip Terminal Cutter-Side Feed-No
Crimp



TE Part # 2-2266630-1
OCEAN_2.0_APPLICATION-S-140F210F



TE Part # 2-2266630-2
OCEAN_2.0_APPLICATION-S-140F210F



TE Part # 2266630-1
OCEAN_2.0_APPLICATION-S-140F210F



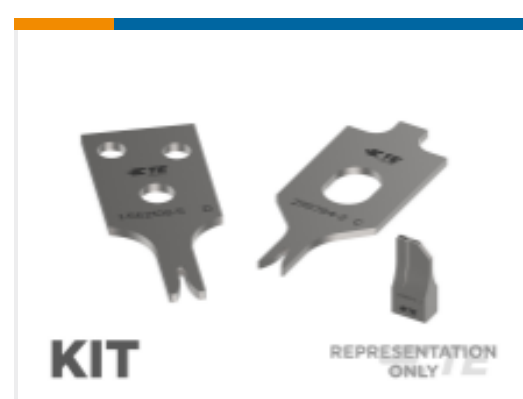
TE Part # 2266630-2
OCEAN_2.0_APPLICATION-S-140F210F



TE Part # 687765-2
HDM 5SMR140F210F K



TE Part # 687765-3
HDM 5SMR140F210F G



TE Part # 7-2266630-7
OCEAN_2.0_SPARE_PART_KIT-
140F210F

Also in the Series | **Commercial MATE-N-LOK**



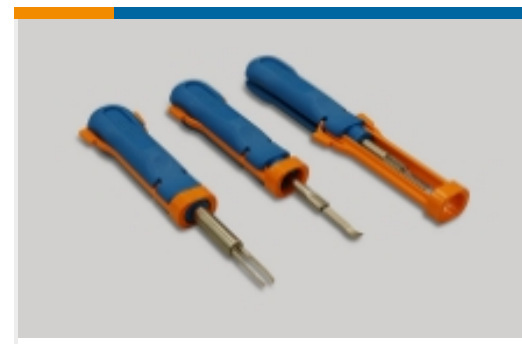
Connector Contacts(20)



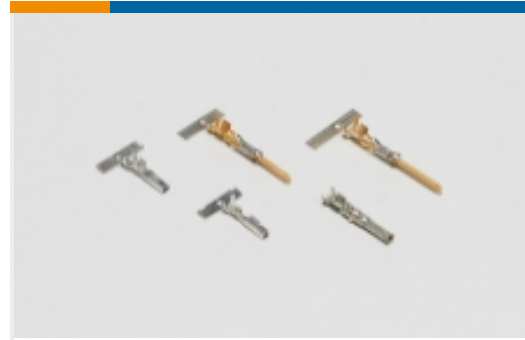
Connector Seals & Cavity Plugs(1)



Crimp Wire Pins, Tabs & Ferrules(2)



Insertion & Extraction Tools(3)



Power Contacts(129)



Rectangular Caps & Covers(2)



Rectangular Connector Housings(11)



Rectangular Power Connectors(169)



Standard Circular Connectors(2)



Standard Rectangular Connectors(7)

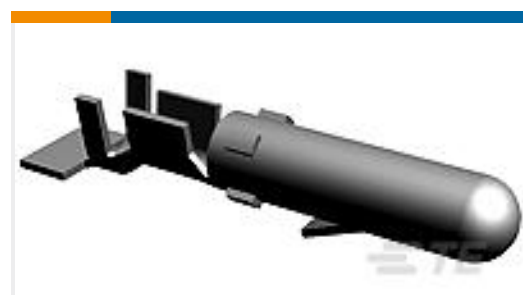


Wire-to-Board Connector Contacts(1)

Customers Also Bought



TE Part #177913-1
POWER DBL LOCK CAP HSG P/M 12P



TE Part #61086-1
.156 MNL PIN 20-14 PTPBR



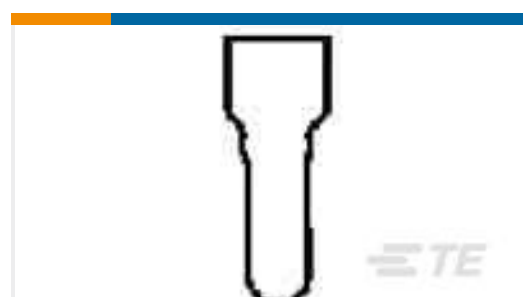
TE Part #925553-2
AM WIRE PIN 17-13 .013 PTPB



TE Part #2-2176414-4
7W STD M/OX 5% 180R



TE Part #928770-2
MAG-MATE LEAF CONT.



TE Part #8-35115-1
SPLICE,N CE 22-14



TE Part #474819-E
SRCP 1,27 10 M 1-KS SMD 137 E1 094
* GU-

Documents



Product Drawings

[.156 MNL SOK 12-10 PTPBR](#)

English

CAD Files

[3D PDF](#)

3D

Customer View Model

[ENG_CVM_CVM_61233-1_AD_c-61233-1-ad.2d_dxf.zip](#)

English

Customer View Model

[ENG_CVM_CVM_61233-1_AD_c-61233-1-ad.3d_igs.zip](#)

English

Customer View Model

[ENG_CVM_CVM_61233-1_AD_c-61233-1-ad.3d_stp.zip](#)

English

By downloading the CAD file I accept and agree to the [Terms and Conditions](#) of use.

Datasheets & Catalog Pages

[SOFT_SHELL_PIN_SOCKET_CONNECTORS_STANDARD_DENSITY](#)

English

Product Specifications

[Application Specification](#)

English

[no title](#)

English

[Application Specification](#)

English

Product Environmental Compliance

[MD_61233-1_0505201550_dmtec](#)

English

[MD_61233-1_0505201550_dmtec](#)

English