



Terminals & Splices > Splices



Sealable: **Yes**

Compatible Insulation Diameter Range: **3.05 mm [ .12 in ]**

Primary Product Color: **Black**

Product Length: **27.9 mm [ 1.1 in ]**

Government Qualified Splice: **No**

## Features

### Product Type Features

Sealable	Yes
----------	-----

### Body Features

Insulation Material	Heat Shrinkable, Crosslinked, Flame-Retardant Modified Polyolefin
---------------------	---

Primary Product Color	Black
-----------------------	-------

### Dimensions

Compatible Insulation Diameter Range	3.05 mm[.12 in]
--------------------------------------	-----------------

Product Length	27.9 mm[1.1 in]
----------------	-----------------

### Usage Conditions

Insulation Option	Fully Insulated
-------------------	-----------------

### Industry Standards

Government Qualified Splice	No
-----------------------------	----

## Product Compliance

[For compliance documentation, visit the product page on TE.com>](#)

EU RoHS Directive 2011/65/EU	Compliant
------------------------------	-----------

EU ELV Directive 2000/53/EC	Compliant
-----------------------------	-----------

China RoHS 2 Directive MIIT Order No 32, 2016	No Restricted Materials Above Threshold
---	---

EU REACH Regulation (EC) No. 1907/2006	Current ECHA Candidate List: JUNE 2023 (235)
--	--

Candidate List Declared Against: JUNE 2023 (235)

Does not contain REACH SVHC

Halogen Content

Low Bromine/Chlorine - Br and Cl < 900 ppm per homogenous material. Also BFR /CFR/PVC Free


Solder Process Capability

Not applicable for solder process capability

Product Compliance Disclaimer

This information is provided based on reasonable inquiry of our suppliers and represents our current actual knowledge based on the information they provided. This information is subject to change. The part numbers that TE has identified as EU RoHS compliant have a maximum concentration of 0.1% by weight in homogenous materials for lead, hexavalent chromium, mercury, PBB, PBDE, DBP, BBP, DEHP, DIBP, and 0.01% for cadmium, or qualify for an exemption to these limits as defined in the Annexes of Directive 2011/65/EU (RoHS2). Finished electrical and electronic equipment products will be CE marked as required by Directive 2011/65/EU. Components may not be CE marked. Additionally, the part numbers that TE has identified as EU ELV compliant have a maximum concentration of 0.1% by weight in homogenous materials for lead, hexavalent chromium, and mercury, and 0.01% for cadmium, or qualify for an exemption to these limits as defined in the Annexes of Directive 2000/53/EC (ELV). Regarding the REACH Regulation, the information TE provides on SVHC in articles for this part number is based on the latest European Chemicals Agency (ECHA) 'Guidance on requirements for substances in articles' posted at this URL: <https://echa.europa.eu/guidance-documents/guidance-on-reach>

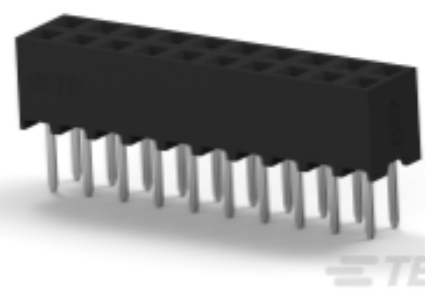
## Customers Also Bought



TE Part #514596-000  
562A011-25/86-0



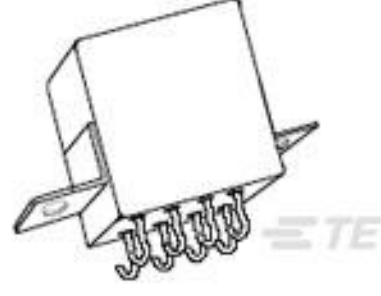
TE Part #2842102-6  
6P,2MM,BRK HDR,SRVT,SMD,0.1AU, TR W/CAP




TE Part #2-2314820-0  
20P,2MM,B-B,REC,DRVT,2.7,0.1AU,TB



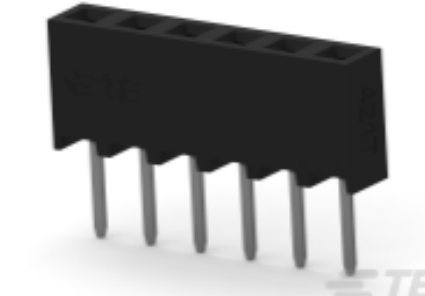
TE Part #843222-000  
101A021-3/42-0



TE Part #1617749-2  
FCA-210-0926M=M83536/9-026M



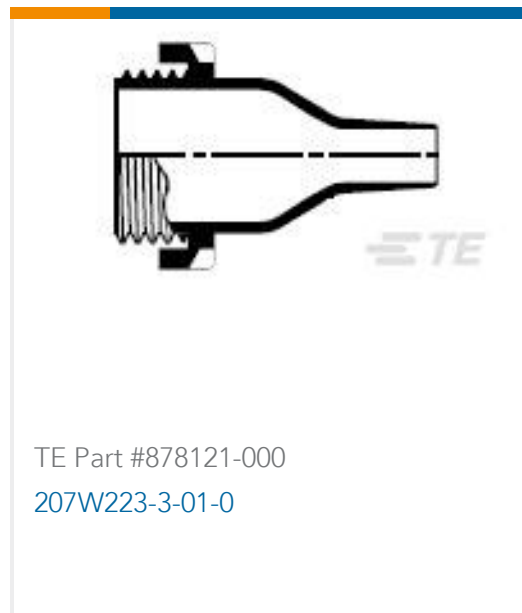
TE Part #ZPF000000000002028  
182-0702-06



TE Part #2314876-6  
6P,2MM,B-B,REC,SRVT,2.7,0.1AU,TB



TE Part #CONSMA010  
SMA Jack to SMA Plug RA



## Documents

### Product Drawings

[D-300-02](#)

English

---

### Datasheets & Catalog Pages

[1654025\\_Sec3\\_TC\\_Caps](#)

English

[Raychem Electrical Interconnect Products](#)

English