

61.008.11 ✓ ACTIVE

TE Internal #: 61-0008-011-000

Standard Circular Connectors, Signal, Brass, Size 23, 0° Alignment

Keyed, Metal, Pin

[View on TE.com >](#)



Connectors > Circular Connectors > Standard Circular Connectors



Sealable: **No**

Contact Current Rating (Max): **20 A**

Circuit Application: **Signal**

Shell Base Material: **Brass**

Circular Connector Shell Size: **23**

Features

Product Type Features

| | |
|------------|-------|
| Sealable | No |
| Shell Type | Metal |

Body Features

| | |
|---------------------|-------|
| Shell Base Material | Brass |
|---------------------|-------|

Contact Features

| | |
|---------------------------------|------|
| Contact Current Rating (Max) | 20 A |
| Circular Connector Contact Type | Pin |

Termination Features

| | |
|------------------------------------|-------|
| Termination Method to Wire & Cable | Crimp |
|------------------------------------|-------|

Housing Features

| | |
|-------------------------------|----|
| Circular Connector Shell Size | 23 |
| Alignment Keyed | 0° |

Operation/Application

| | |
|-------------------|------------|
| Durability Rating | 500 Cycles |
|-------------------|------------|

Circuit Application

Signal

Product Compliance

For compliance documentation, visit the product page on TE.com>

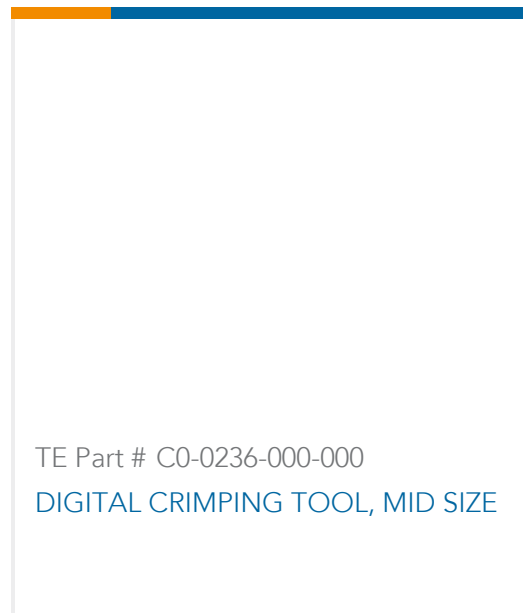
| | |
|---|---|
| EU RoHS Directive 2011/65/EU | Compliant with Exemptions |
| EU ELV Directive 2000/53/EC | Compliant with Exemptions |
| China RoHS 2 Directive MIIT Order No 32, 2016 | Restricted Materials Above Threshold |
| EU REACH Regulation (EC) No. 1907/2006 | <p>Current ECHA Candidate List: JUNE 2023 (235)</p> <p>Candidate List Declared Against: JAN 2023 (233)</p> <p>SVHC > Threshold:</p> <p>Pb (1.6% in Component)</p> <p>Article Safe Usage Statements: Do not eat, drink or smoke when using this product. Wash thoroughly after handling. Recycle if possible and dispose of the article by following all applicable governmental regulations relevant to your geographic location.</p> |
| Halogen Content | Not Yet Reviewed for halogen content |
| Solder Process Capability | Not reviewed for solder process capability |

Product Compliance Disclaimer

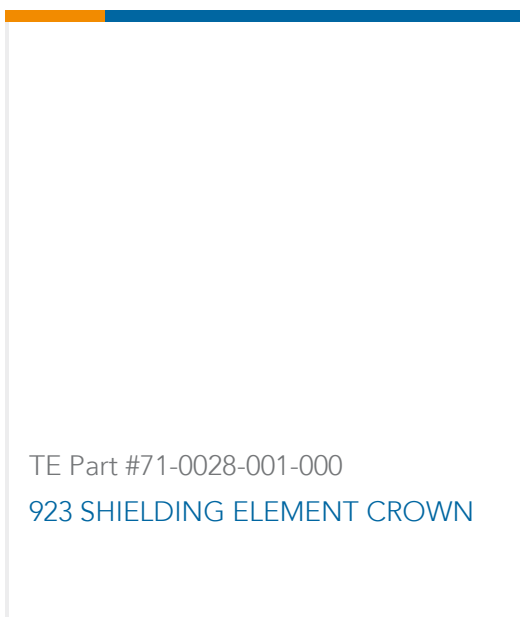
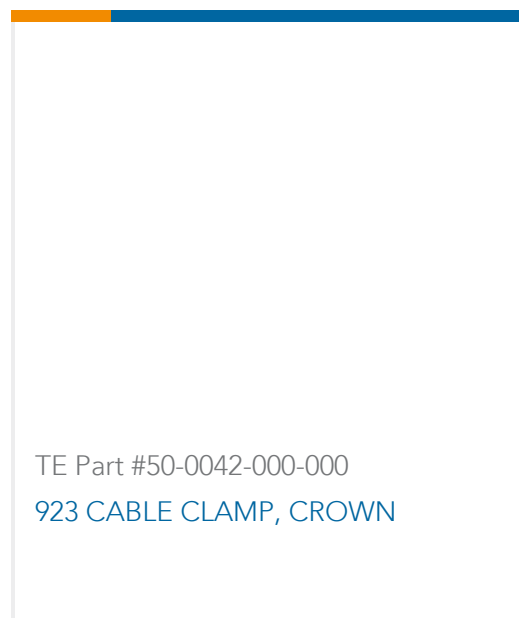
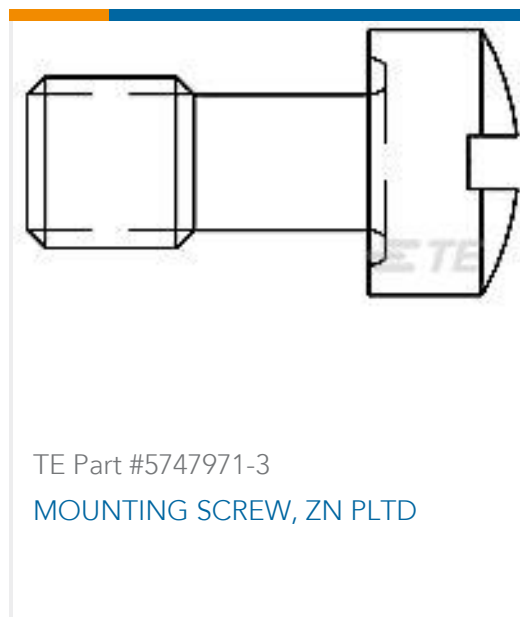
This information is provided based on reasonable inquiry of our suppliers and represents our current actual knowledge based on the information they provided. This information is subject to change. The part numbers that TE has identified as EU RoHS compliant have a maximum concentration of 0.1% by weight in homogenous materials for lead, hexavalent chromium, mercury, PBB, PBDE, DBP, BBP, DEHP, DIBP, and 0.01% for cadmium, or qualify for an exemption to these limits as defined in the Annexes of Directive 2011/65/EU (RoHS2). Finished electrical and electronic equipment products will be CE marked as required by Directive 2011/65/EU. Components may not be CE marked. Additionally, the part numbers that TE has identified as EU ELV compliant have a maximum concentration of 0.1% by weight in homogenous materials for lead, hexavalent chromium, and mercury, and 0.01% for cadmium, or qualify for an exemption to these limits as defined in the Annexes of Directive 2000/53/EC (ELV). Regarding the REACH Regulation, the information TE provides on SVHC in articles for this part number is based on the latest European Chemicals Agency (ECHA) 'Guidance on requirements for substances in articles' posted at this URL: <https://echa.europa.eu/guidance-documents/guidance-on-reach>

Compatible Parts





Customers Also Bought



Documents

Product Drawings
CONTACT PIN 2 MM

English

CAD Files

3D PDF

3D

Customer View Model

ENG_CVM_CVM_61-0008-011-000_A.2d_dxf.zip



English

Customer View Model

[ENG_CVM_CVM_61-0008-011-000_A.3d_igs.zip](#)

English

Customer View Model

[ENG_CVM_CVM_61-0008-011-000_A.3d_stp.zip](#)

English

By downloading the CAD file I accept and agree to the [Terms and Conditions](#) of use.

Datasheets & Catalog Pages

[61-0008-011-000](#)

English