

60894-1 ✓ ACTIVE

PIDG

TE Internal #: 60894-1

Quick Disconnects, Receptacle, 22 – 18 AWG Wire Size, .26 – .96 mm² Wire Size, 509 – 1900 CMA Wire Size, Mating Tab Width 2.79 mm [.11 in], PIDG

[View on TE.com >](#)



Terminals & Splices > Quick Disconnects > PIDG FASTON Receptacle Quick Disconnects



Quick Disconnect Terminal Type: **Receptacle**

Wire Size: **509 – 1900 CMA**

Mating Tab Width: **2.79 mm [.11 in]**

[All PIDG FASTON Receptacle Quick Disconnects \(21\)](#)

Features

Product Type Features

Terminal Features	Wire Stop
Insertion Force	Normal

Electrical Characteristics

Voltage Rating	300 V
----------------	-------

Body Features

Insulation Material	Nylon
---------------------	-------

Contact Features

Quick Disconnect Terminal Type	Receptacle
Mating Tab Width	2.79 mm [.11 in]
Mating Tab Thickness	.8 mm [.032 in]
Terminal Orientation	Straight
Contact Base Material	Brass
Terminal Plating Material	Tin
Crimp Type	Compression



Barrel Type	Closed
-------------	--------

Termination Features

Product Terminates To	Wire & Cable
-----------------------	--------------

Mechanical Attachment

Wire Insulation Support	With
-------------------------	------

Mating Retention Type	Dimple
-----------------------	--------

Dimensions

Terminal Material Thickness	.3 mm[.012 in]
-----------------------------	----------------

Product Length	18.64 mm[.734 in]
----------------	-------------------

Compatible Insulation Diameter Range	2.54 mm[.1 in]
--------------------------------------	----------------

Wire Size	509 – 1900 CMA
-----------	----------------

Usage Conditions

Insulation Option	Partially Insulated
-------------------	---------------------

Operating Temperature Range	105 °C[221 °F]
-----------------------------	----------------

Packaging Features

Packaging Quantity	1000
--------------------	------

Packaging Method	Loose Piece
------------------	-------------

Other

Barrel Color	Clear
--------------	-------

Product Compliance

For compliance documentation, visit the product page on [TE.com](https://www.te.com)>

EU RoHS Directive 2011/65/EU	Compliant
------------------------------	-----------

EU ELV Directive 2000/53/EC	Compliant
-----------------------------	-----------

China RoHS 2 Directive MIIT Order No 32, 2016	No Restricted Materials Above Threshold
---	---

EU REACH Regulation (EC) No. 1907/2006	Current ECHA Candidate List: JUNE 2023 (235) Candidate List Declared Against: JUNE 2023 (235) Does not contain REACH SVHC
--	---

Halogen Content	Low Halogen - Br, Cl, F, I < 900 ppm per homogenous material. Also BFR/CFR/PVC Free
-----------------	---

Solder Process Capability	Not applicable for solder process capability
---------------------------	--

Product Compliance Disclaimer

This information is provided based on reasonable inquiry of our suppliers and represents our current actual knowledge based on the information they provided. This information is subject to change. The part numbers that TE has identified as EU RoHS compliant have a maximum concentration of 0.1% by weight in homogenous materials for lead, hexavalent chromium, mercury, PBB, PBDE, DBP, BBP, DEHP, DIBP, and 0.01% for cadmium, or qualify for an exemption to these limits as defined in the Annexes of Directive 2011/65/EU (RoHS2). Finished electrical and electronic equipment products will be CE marked as required by Directive 2011/65/EU. Components may not be CE marked. Additionally, the part numbers that TE has identified as EU ELV compliant have a maximum concentration of 0.1% by weight in homogenous materials for lead, hexavalent chromium, and mercury, and 0.01% for cadmium, or qualify for an exemption to these limits as defined in the Annexes of Directive 2000/53/EC (ELV). Regarding the REACH Regulation, the information TE provides on SVHC in articles for this part number is based on the latest European Chemicals Agency (ECHA) 'Guidance on requirements for substances in articles' posted at this URL: <https://echa.europa.eu/guidance-documents/guidance-on-reach>

Compatible Parts



REPRESENTATION ONLY

TE Part # 90035-3
DAHT PIDG FASTON 22-18 ASSY




REPRESENTATION ONLY

TE Part # 90185-1
DAHT PIDG FASTON 22-18 ASSY


TE Part # 2392021-2
RED BATTERY DAHT KIT 220V (47689-4)

TE Part # 2392021-1
RED BATTERY DAHT KIT 110V (47689-4)

Also in the Series | PIDG




Compression Connectors(17)




Crimp Terminal Housings(1)




Crimp Wire Pins, Tabs & Ferrules(41)




Hand Crimping Tools(2)



Knife Disconnects(11)



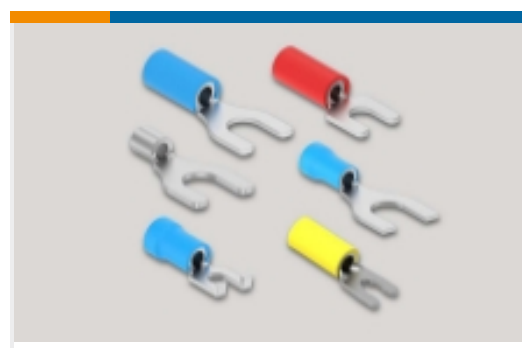
PCB Terminals(7)



Quick Disconnects(49)



Ring Terminals(607)



Spade Terminals(231)

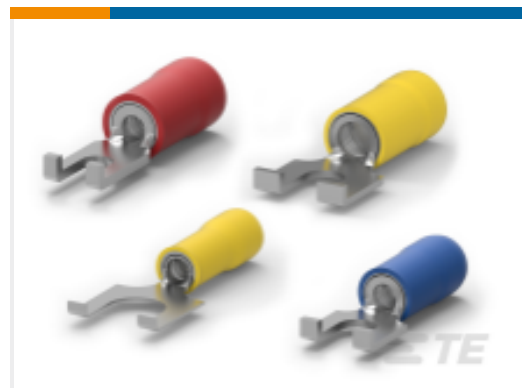
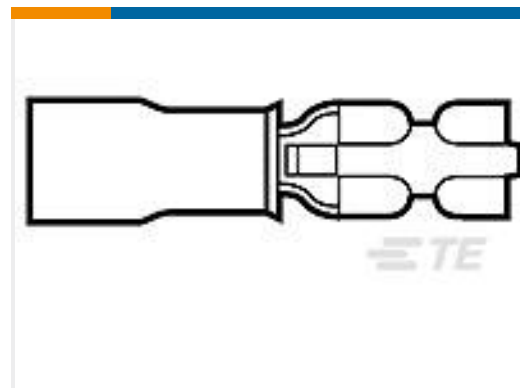
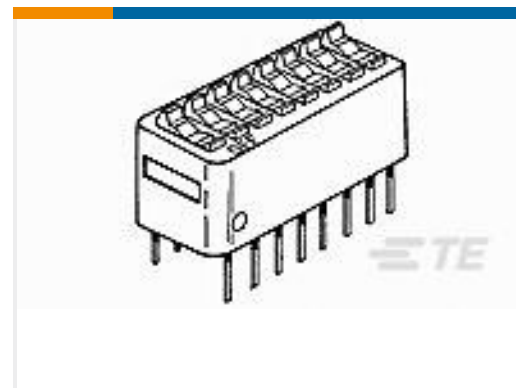
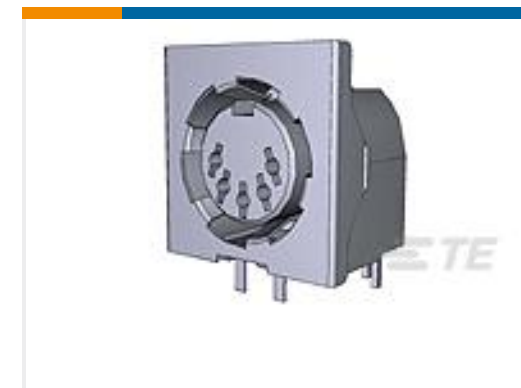
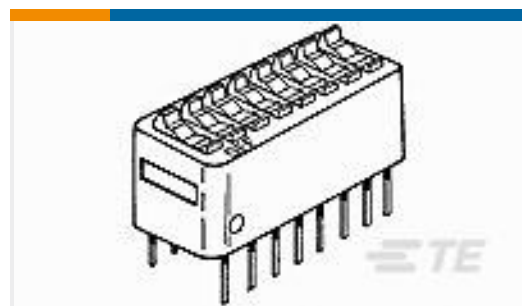
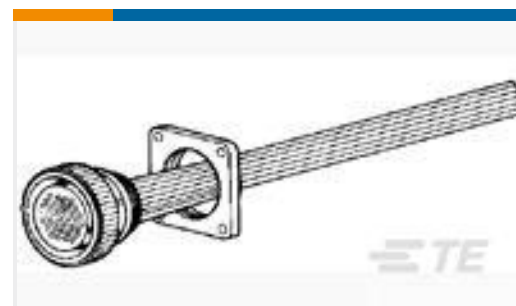
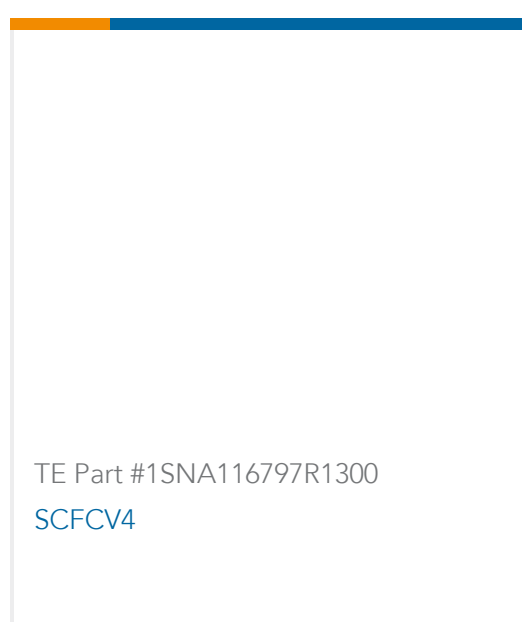


Special Purpose Terminals(1)



Splices(45)

Customers Also Bought

TE Part #2-320861-1
PIDG Flanged Spade Tongue
TerminalsTE Part #640929-1
RECEPT,PIDG FASTON 16-14 110TE Part #5435640-5
DIP SW 8POSN AUTE Part #5212044-1
5 CIRC DIN RCPT GRND SHLDTE Part #5435640-2
DIP SW 4POSN AUTE Part #9-1423364-6
W57-XB1A7A10-5=CKTBKR,THERM,
PB,SCW/QCTE Part #207299-2
FLANGE PLUG MOUNT CPCTE Part #35110
TERM, RT, PIDG,12-10, 1/4TE Part #1SNA116797R1300
SCFCV4

Documents

Product Drawings

[RECEPT,PIDG FASTON 22-18 110](#)

English

CAD Files

[3D PDF](#)

3D

[Customer View Model](#)

[ENG_CVM_CVM_60894-1_N.2d_dxf.zip](#)



English

Customer View Model

[ENG_CVM_CVM_60894-1_N.3d_igs.zip](#)

English

Customer View Model

[ENG_CVM_CVM_60894-1_N.3d_stp.zip](#)

English

3D PDF

English

Customer View Model

[ENG_CVM_60894-1_F.2d_dxf.zip](#)

English

Customer View Model

[ENG_CVM_60894-1_F.3d_igs.zip](#)

English

Customer View Model

[ENG_CVM_60894-1_F.3d_stp.zip](#)

English

By downloading the CAD file I accept and agree to the [Terms and Conditions](#) of use.

Datasheets & Catalog Pages

[PIDG_FASTON](#)

English

[Ultra-Fast and Ultra Fast Plus](#)

English

[PIDG TERMINALS & SPLICES Quick Reference Guide](#)

English

Product Specifications

[Application Specification](#)

English

Product Environmental Compliance

[MD_60894-1_09252013955_dmtec](#)

English

[MD_60894-1_09252013955_dmtec](#)

English

Agency Approvals

[CSA Certificate](#)

English