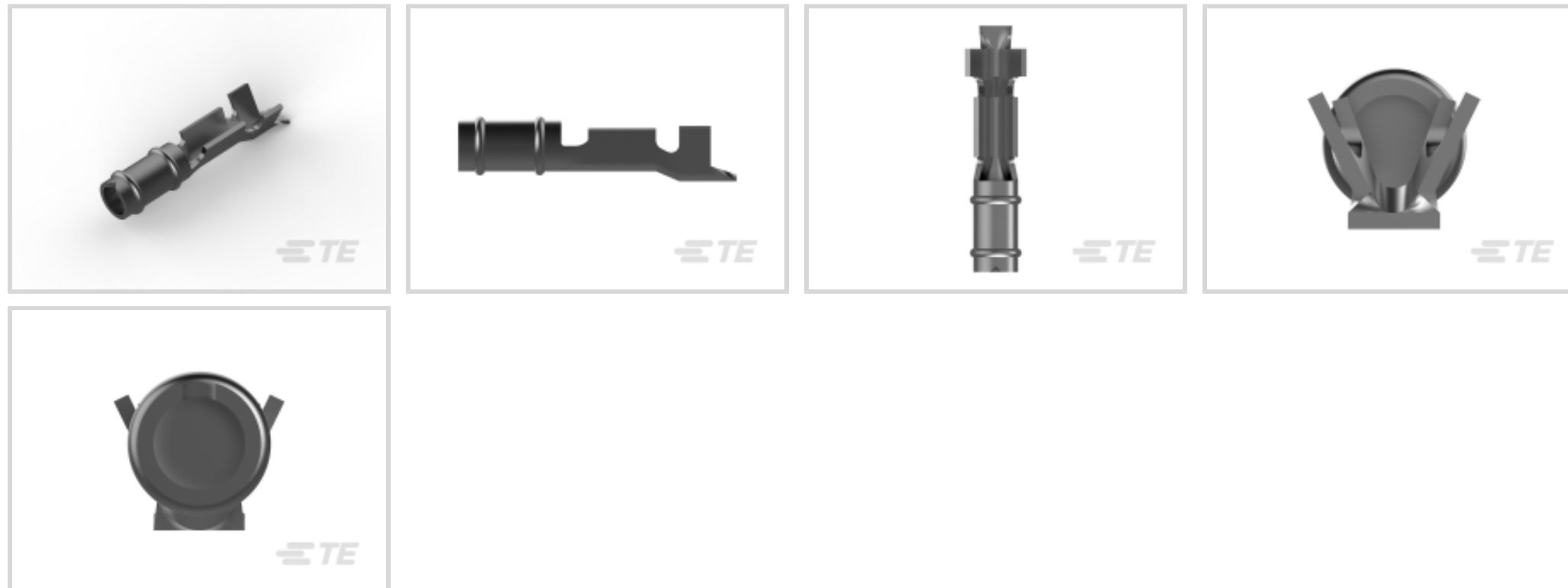




Terminals & Splices > PCB Terminals



PCB Terminal Type: **Receptacle**

PCB Hole Diameter: **3.18 mm [.125 in]**

Mating Pin Diameter: **1.47 mm [.058 in]**

Compatible Insulation Diameter (Max): **1.65 mm [.065 in]**

Compatible Insulation Diameter Range: **.89 – 1.65 mm [.035 – .065 in]**

Features

Product Type Features

| | |
|-------------------|-----------|
| Terminal Features | Stud Hole |
|-------------------|-----------|

Contact Features

| | |
|---------------------------|------------------|
| PCB Terminal Type | Receptacle |
| Mating Pin Diameter | 1.47 mm[.058 in] |
| Terminal Plating Material | Tin |
| Terminal Orientation | Straight |

Termination Features

| | |
|---|-----------------------|
| Termination Method to Printed Circuit Board | Through Hole - Solder |
| Product Terminates To | Wire & Cable |

Mechanical Attachment

| | |
|-------------------------|------|
| Wire Insulation Support | With |
|-------------------------|------|

Dimensions

| | |
|--------------------------------------|------------------|
| Terminal Material Thickness | .25 mm[.01 in] |
| PCB Hole Diameter | 3.18 mm[.125 in] |
| Compatible Insulation Diameter (Max) | 1.65 mm[.065 in] |

| | |
|--------------------------------------|--------------------------------|
| Compatible Insulation Diameter Range | .89 – 1.65 mm [.035 – .065 in] |
|--------------------------------------|--------------------------------|

| | |
|-----------|--------------------------|
| Wire Size | .12 – .4 mm ² |
|-----------|--------------------------|

Usage Conditions

| | |
|-------------------|-------------|
| Insulation Option | Uninsulated |
|-------------------|-------------|

| | |
|-----------------------------|-----------------------------|
| Operating Temperature Range | -55 – 105 °C [-67 – 221 °F] |
|-----------------------------|-----------------------------|

Packaging Features

| | |
|--------------------|-------|
| Packaging Quantity | 15000 |
|--------------------|-------|

| | |
|------------------|-----|
| Packaging Method | Box |
|------------------|-----|

Other

| | |
|-----------------------------|--------------------------------------|
| Terminals & Splices Comment | Machine applied applicator required. |
|-----------------------------|--------------------------------------|

Product Compliance

[For compliance documentation, visit the product page on TE.com>](#)

| | |
|------------------------------|-----------|
| EU RoHS Directive 2011/65/EU | Compliant |
|------------------------------|-----------|

| | |
|-----------------------------|-----------|
| EU ELV Directive 2000/53/EC | Compliant |
|-----------------------------|-----------|

| | |
|---|---|
| China RoHS 2 Directive MIIT Order No 32, 2016 | No Restricted Materials Above Threshold |
|---|---|

| | |
|--|--|
| EU REACH Regulation (EC) No. 1907/2006 | Current ECHA Candidate List: JUNE 2023 (235) Candidate List Declared Against: JAN 2023 (233) Does not contain REACH SVHC |
|--|--|

| | |
|-----------------|---|
| Halogen Content | Low Halogen - Br, Cl, F, I < 900 ppm per homogenous material. Also BFR/CFR/PVC Free |
|-----------------|---|

| | |
|---------------------------|--|
| Solder Process Capability | Not applicable for solder process capability |
|---------------------------|--|

Product Compliance Disclaimer

This information is provided based on reasonable inquiry of our suppliers and represents our current actual knowledge based on the information they provided. This information is subject to change. The part numbers that TE has identified as EU RoHS compliant have a maximum concentration of 0.1% by weight in homogenous materials for lead, hexavalent chromium, mercury, PBB, PBDE, DBP, BBP, DEHP, DIBP, and 0.01% for cadmium, or qualify for an exemption to these limits as defined in the Annexes of Directive 2011/65/EU (RoHS2). Finished electrical and electronic equipment products will be CE marked as required by Directive 2011/65/EU. Components may not be CE marked. Additionally, the part numbers that TE has identified as EU ELV compliant have a maximum concentration of 0.1% by weight in homogenous materials for lead, hexavalent chromium, and mercury, and 0.01% for cadmium, or qualify for an exemption to these limits as defined in the Annexes of Directive 2000/53/EC (ELV). Regarding the REACH Regulation, the information TE provides on SVHC in articles for this part number is based on the latest European Chemicals Agency (ECHA) 'Guidance on requirements for substances in articles' posted at this URL: <https://echa.europa.eu/guidance-documents/guidance-on-reach>

Compatible Parts



TE Part # 350393-1
058 PCB REC IP 010TPHBZ



TE Part # 61513-1
058 PC PIN REC 26-22 010GPBECU



TE Part # 350189-1
.058 DIA RECPT PC R/A LP 26-22



TE Part # 61513-2
058 PC PIN REC 010TPHBZ



TE Part # 2-2837608-1
OCEAN-2.0-APPLICATOR-S-055F0700



TE Part # 2-2837608-2
OCEAN-2.0-APPLICATOR-S-055F0700



TE Part # 2837608-2
OCEAN-2.0-APPLICATOR-S-055F0700



TE Part # 7-2837608-1
OCEAN-2.0-APPLICATOR-S-055F0700



TE Part # 7-2837608-2
OCEAN-2.0-APPLICATOR-S-055F0700

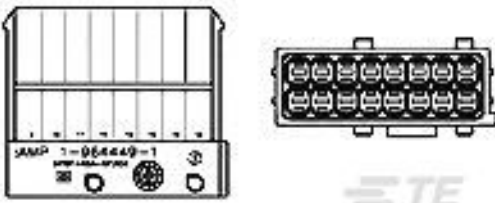


TE Part # 60940-2
058 PIN REC 24-20 SN/BECU



TE Part # 350189-2
.058 DIA RECPT PC R/A LP 26-22

Customers Also Bought



TE Part #1-964449-1
FLACHSTE-GEH2,8 16P



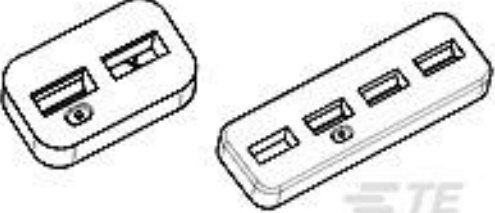
TE Part #794271-1
03P UMNL INTERFACE SEAL



TE Part #350561-7
UMNL PIN 24-18 .0126 AU/NI/BR



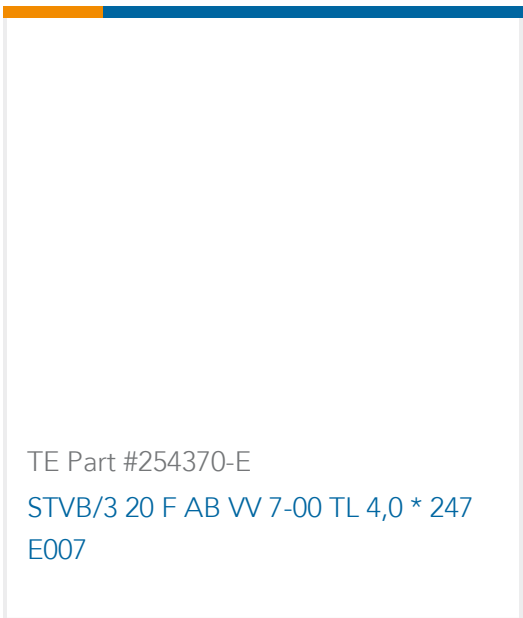
TE Part #794272-1
03P UMNL WIRE SEAL




TE Part #963208-1
DICHTUNG F4P JPT GH



TE Part #5-962886-1
MQS0,63 Sn tab LL EDS 0,2-0,5



TE Part #254370-E
STVB/3 20 F AB VV 7-00 TL 4,0 * 247 E007



TE Part #374000-E
STVR 96 MI ABC VV 4-00 GA06 4,0 * 247 E

Documents



Product Drawings

[058 PIN REC 26-22 .010TPBECU](#)

English

CAD Files

[3D PDF](#)

3D

Customer View Model

[ENG_CVM_CVM_60888-3_AJ_c-60888-3-aj.2d_dxf.zip](#)

English

Customer View Model

[ENG_CVM_CVM_60888-3_AJ_c-60888-3-aj.3d_igs.zip](#)

English

Customer View Model

[ENG_CVM_CVM_60888-3_AJ_c-60888-3-aj.3d_stp.zip](#)

English

By downloading the CAD file I accept and agree to the [Terms and Conditions](#) of use.

Datasheets & Catalog Pages

[PRINTED CIRCUIT BOARD TERMINALS AND DISCONNECTS](#)

English

Product Specifications

[Application Specification](#)

English