

60799-4 ✓ ACTIVE

## SHUR-PLUG 180

TE Internal #: 60799-4

Crimp Wire Pins, Tabs & Ferrules, Shur-Plug, Mating Pin Diameter

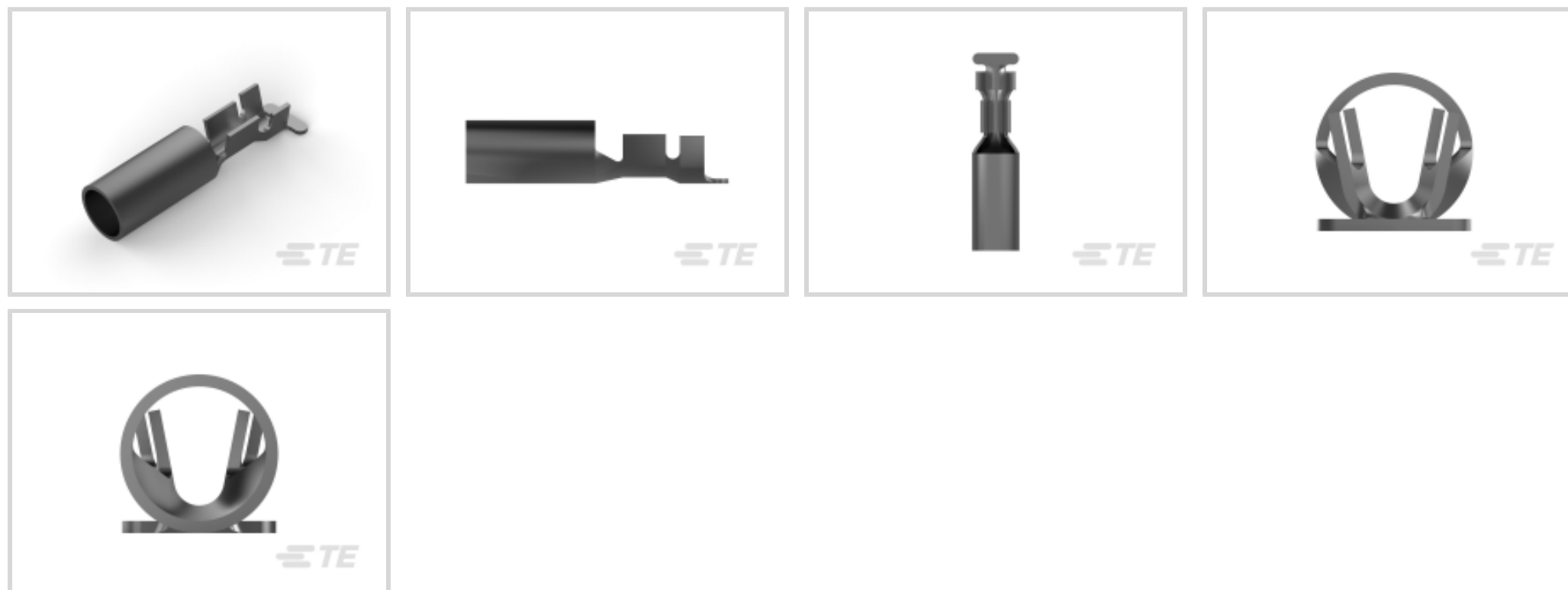
4.57 mm [.18 in], 18 – 14 AWG Wire Size, .8 – 2 mm<sup>2</sup> Wire Size,

SHUR-PLUG 180

[View on TE.com >](#)



Terminals & Splices > Crimp Wire Pins, Tabs & Ferrules



Crimp Wire Terminal Type: **Shur-Plug**

Mating Pin Diameter: **4.57 mm [.18 in]**

Compatible Insulation Diameter Range: **2.29 – 3.18 mm, 3.17 mm [.09 – .125 in, .125 in]**

Wire Size: **.8 – 2 mm<sup>2</sup>**

### Features

#### Product Type Features

Compatible With Discrete Wire Type	Solid, Stranded
------------------------------------	-----------------

#### Configuration Features

Compatible With Wire & Cable Type	Discrete Wire
-----------------------------------	---------------

#### Contact Features

Crimp Wire Terminal Type	Shur-Plug
--------------------------	-----------

Mating Pin Diameter	4.57 mm [.18 in]
---------------------	------------------

Barrel Type	Open
-------------	------

Terminal Plating Material	Tin
---------------------------	-----

Terminal Orientation	Straight
----------------------	----------

#### Mechanical Attachment

Wire Insulation Support	With
-------------------------	------

#### Dimensions

Compatible Insulation Diameter Range	2.29 – 3.18 mm, 3.17 mm [.09 – .125 in][.125 in]
--------------------------------------	--



Wire Size	1624 – 4106 CMA
Barrel Inside Diameter	1.65 mm, 2.66 mm [.065 in][.105 in]
Terminal Material Thickness	.39 mm [.016 in]
Overall Product Length	22.73 mm [.895 in]

### Usage Conditions

Insulation Option	Uninsulated
Operating Temperature Range	-40 – 105 °C [-40 – 221 °F]

### Packaging Features

Packaging Quantity	12000
Packaging Method	Reel

### Other

Terminals & Splices Comment	No indent.
-----------------------------	------------

## Product Compliance

[For compliance documentation, visit the product page on TE.com>](#)

EU RoHS Directive 2011/65/EU	Compliant
EU ELV Directive 2000/53/EC	Compliant
China RoHS 2 Directive MIIT Order No 32, 2016	No Restricted Materials Above Threshold
EU REACH Regulation (EC) No. 1907/2006	Current ECHA Candidate List: JUNE 2023 (235) Candidate List Declared Against: JUNE 2023 (235) Does not contain REACH SVHC
Halogen Content	Low Halogen - Br, Cl, F, I < 900 ppm per homogenous material. Also BFR/CFR/PVC Free
Solder Process Capability	Not applicable for solder process capability

#### Product Compliance Disclaimer

This information is provided based on reasonable inquiry of our suppliers and represents our current actual knowledge based on the information they provided. This information is subject to change. The part numbers that TE has identified as EU RoHS compliant have a maximum concentration of 0.1% by weight in homogenous materials for lead, hexavalent chromium, mercury, PBB, PBDE, DBP, BBP, DEHP, DIBP, and 0.01% for cadmium, or qualify for an exemption to these limits as defined in the Annexes of Directive 2011/65/EU (RoHS2). Finished electrical and electronic equipment products will be CE marked as required by Directive 2011/65/EU. Components may not be CE marked. Additionally, the part numbers that TE has identified as EU ELV compliant have a maximum concentration of 0.1% by weight in homogenous materials for lead, hexavalent chromium, and mercury, and 0.01% for cadmium, or qualify for an exemption to these limits as defined in the Annexes of Directive 2000/53/EC (ELV). Regarding the REACH Regulation, the information TE provides on SVHC in articles for this part number is based on the latest European Chemicals Agency (ECHA) 'Guidance on requirements for substances in articles' posted at this URL: <https://echa.europa.eu/guidance-documents/guidance-on-reach>

## Compatible Parts



TE Part # 1217074-2  
 SHUR PLUG,180,REC.,2 X 8 AWG,TPBR



TE Part # 63830-1  
 SHUR PLUG 180 18-14 AWG PTPBR



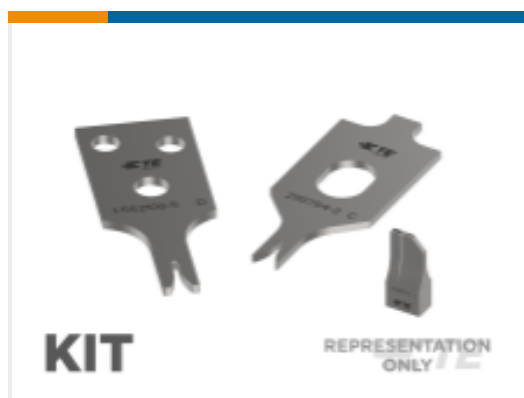
TE Part # 2-2150079-2  
 OCEAN\_2.0\_APPLICATOR-E-100F140F



TE Part # 2150079-2  
 OCEAN\_2.0\_APPLICATOR-E-100F140F



TE Part # 7-2150079-2  
 OCEAN\_2.0\_APPLICATOR-E-100F140F



TE Part # 7-2150079-7  
 OCEAN\_2.0\_SPARE\_PART\_KIT-100F140F

## Also in the Series | SHUR-PLUG 180



Crimp Terminal Housings(6)



Crimp Wire Pins, Tabs & Ferrules(37)



Special Purpose Terminals(1)

## Customers Also Bought



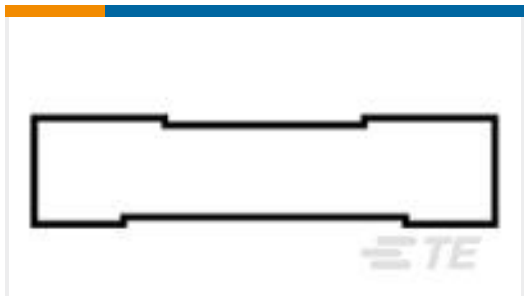
TE Part #33471  
 TERMINAL,SOLIS R 4 3/8



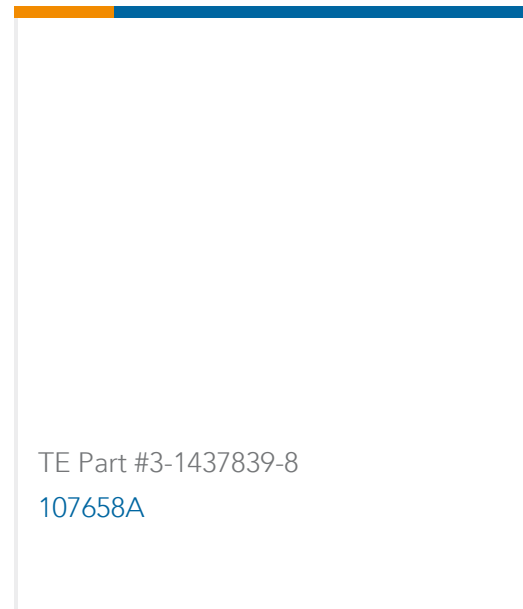
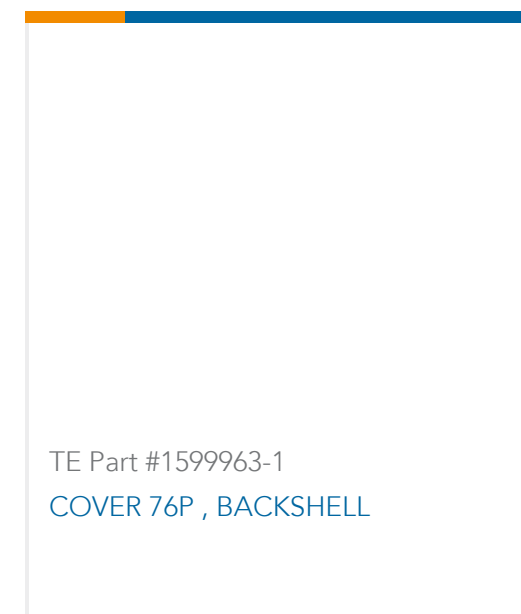
TE Part #696050-1  
 PG 8 R 10



TE Part #1-240651-0  
 BLADE, SLUG



TE Part #324138  
 PG BUTT SPLC 22-16COMM22-18MIL



## Documents

### Product Drawings

[SHUR PLUG 180 REC 18-14 AWG TNPPHBZ](#)

English

### CAD Files

[3D PDF](#)

3D

Customer View Model

[ENG\\_CVM\\_CVM\\_60799-4\\_AK.2d\\_dxf.zip](#)

English

Customer View Model

[ENG\\_CVM\\_CVM\\_60799-4\\_AK.3d\\_igs.zip](#)

English

Customer View Model

[ENG\\_CVM\\_CVM\\_60799-4\\_AK.3d\\_stp.zip](#)

English

By downloading the CAD file I accept and agree to the [Terms and Conditions](#) of use.

### Product Specifications

[Application Specification](#)

English