

60794-2 ✓ ACTIVE

FASTIN-FASTON | FASTIN-FASTON 250

TE Internal #: 60794-2

Quick Disconnects, Receptacle, 16 – 14 AWG Wire Size, 1.31 – 2.08 mm<sup>2</sup> Wire Size, Mating Tab Width 6.35 mm [.25 in], Straight, Brass, FASTIN-FASTON 250

[View on TE.com >](#)



Terminals & Splices > Quick Disconnects



Quick Disconnect Terminal Type: **Receptacle**

Wire Size: 1.31 – 2.08 mm<sup>2</sup>

Mating Tab Width: 6.35 mm [.25 in]

Mating Tab Thickness: .81 mm [.032 in]

## Features

### Product Type Features

Compatible With Discrete Wire Type

Stranded

### Configuration Features

Connection Capacity

Single

### Contact Features

Quick Disconnect Terminal Type

Receptacle

Mating Tab Width

6.35 mm [.25 in]

Mating Tab Thickness

.81 mm [.032 in]

Terminal Orientation

Straight

Contact Base Material

Brass

Terminal Plating Material

Tin

Crimp Type

F-Crimp

Barrel Type

Open

### Termination Features

Product Terminates To

Wire & Cable



### Mechanical Attachment

Wire Insulation Support	With
Mating Retention Type	Dimple

### Dimensions

Terminal Material Thickness	.33 mm[.013 in]
Product Length	27.4 mm[1.078 in]
Compatible Insulation Diameter Range	2.29 – 3.3 mm[.09 – .13 in]
Wire Size	1.31 – 2.08 mm <sup>2</sup>

### Usage Conditions

Insulation Option	Uninsulated
Operating Temperature Range	-40 – 110 °C[-40 – 230 °F]

### Industry Standards

Agency/Standard	UL
-----------------	----

### Packaging Features

Packaging Quantity	3000
Packaging Method	Strip/Reel

### Other

Terminals & Splices Comment	Multiple connection type with 2 pairs.
-----------------------------	--

### Product Compliance

[For compliance documentation, visit the product page on TE.com>](#)

EU RoHS Directive 2011/65/EU	Compliant
EU ELV Directive 2000/53/EC	Compliant
China RoHS 2 Directive MIIT Order No 32, 2016	No Restricted Materials Above Threshold
EU REACH Regulation (EC) No. 1907/2006	Current ECHA Candidate List: JUNE 2023 (235) Candidate List Declared Against: JUNE 2023 (235) Does not contain REACH SVHC
Halogen Content	Low Halogen - Br, Cl, F, I < 900 ppm per homogenous material. Also BFR/CFR/PVC Free
Solder Process Capability	Not applicable for solder process capability

Product Compliance Disclaimer

This information is provided based on reasonable inquiry of our suppliers and represents our current actual knowledge based on the information they provided. This information is subject to change. The part numbers that TE has identified as EU RoHS compliant have a maximum concentration of 0.1% by weight in homogenous materials for lead, hexavalent chromium, mercury, PBB, PBDE, DBP, BBP, DEHP, DIBP, and 0.01% for cadmium, or qualify for an exemption to these limits as defined in the Annexes of Directive 2011/65/EU (RoHS2). Finished electrical and electronic equipment products will be CE marked as required by Directive 2011/65/EU. Components may not be CE marked. Additionally, the part numbers that TE has identified as EU ELV compliant have a maximum concentration of 0.1% by weight in homogenous materials for lead, hexavalent chromium, and mercury, and 0.01% for cadmium, or qualify for an exemption to these limits as defined in the Annexes of Directive 2000/53/EC (ELV). Regarding the REACH Regulation, the information TE provides on SVHC in articles for this part number is based on the latest European Chemicals Agency (ECHA) 'Guidance on requirements for substances in articles' posted at this URL: <https://echa.europa.eu/guidance-documents/guidance-on-reach>

## Compatible Parts



Also in the Series | **FASTIN-FASTON 250**



Crimp Terminal Housings(211)



Insertion &amp; Extraction Tools(2)

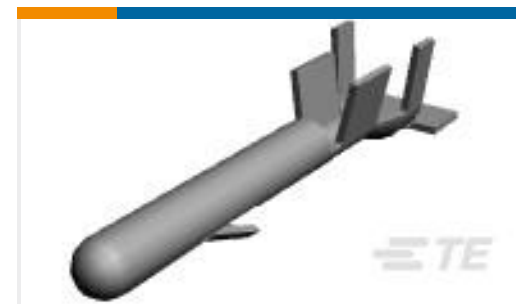
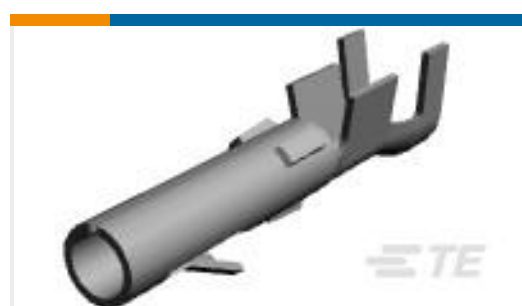
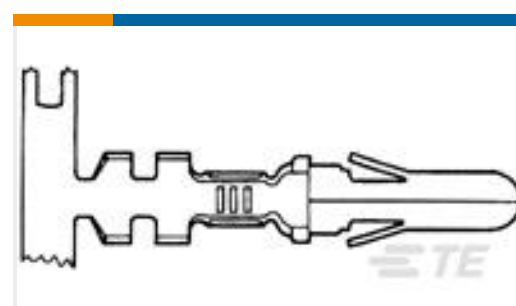
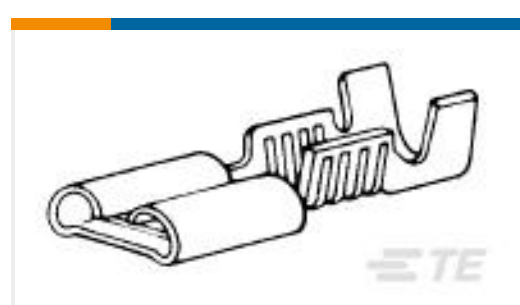


PCB Terminals(2)



Quick Disconnects(254)

## Customers Also Bought

TE Part #206437-1  
CPC PLUG ASSEMBLY SIZE 23-57TE Part #2-320565-1  
TERMINAL,PIDG R 16-14 8TE Part #321165  
TERMINAL,SOLIS R 16-14HD 1/2TE Part #61118-1  
MNL PIN 20-14 TPBRTE Part #61117-1  
CMNL SOK 20-14 TPBRTE Part #2-521308-2  
205 ULTRA-FAST RCPT 22-18 TPBRTE Part #350391-1  
.140 DIA PIN 14-10 PTPBR L/PTE Part #1423674-9  
W54-XB1A4A10-20=CKTBKR,THERM,PTE Part #103735-4  
05 MTE HDR SRST LATCH .100CLTE Part #880683-2  
FF 250 TERMINAL REC 0.5-1.0 MM2  
TPBR

## Documents

### Product Drawings

[FASTIN NECESSARY?? - separate GPL: 326](#)

English

### CAD Files

[3D PDF](#)

[3D](#)

[Customer View Model](#)

[ENG\\_CVM\\_CVM\\_60794-2\\_T.2d\\_dxf.zip](#)



English

**Customer View Model**

[ENG\\_CVM\\_CVM\\_60794-2\\_T.3d\\_igs.zip](#)

English

**Customer View Model**

[ENG\\_CVM\\_CVM\\_60794-2\\_T.3d\\_stp.zip](#)

English

By downloading the CAD file I accept and agree to the [Terms and Conditions](#) of use.

---

**Datasheets & Catalog Pages**

[FASTIN\\_FASTON\\_Product\\_Line](#)

English

---

**Product Specifications**

[Application Specification](#)

English

[Automotive Type Tab Contact](#)

English