

60752-2 ✓ ACTIVE

AMPLIVAR

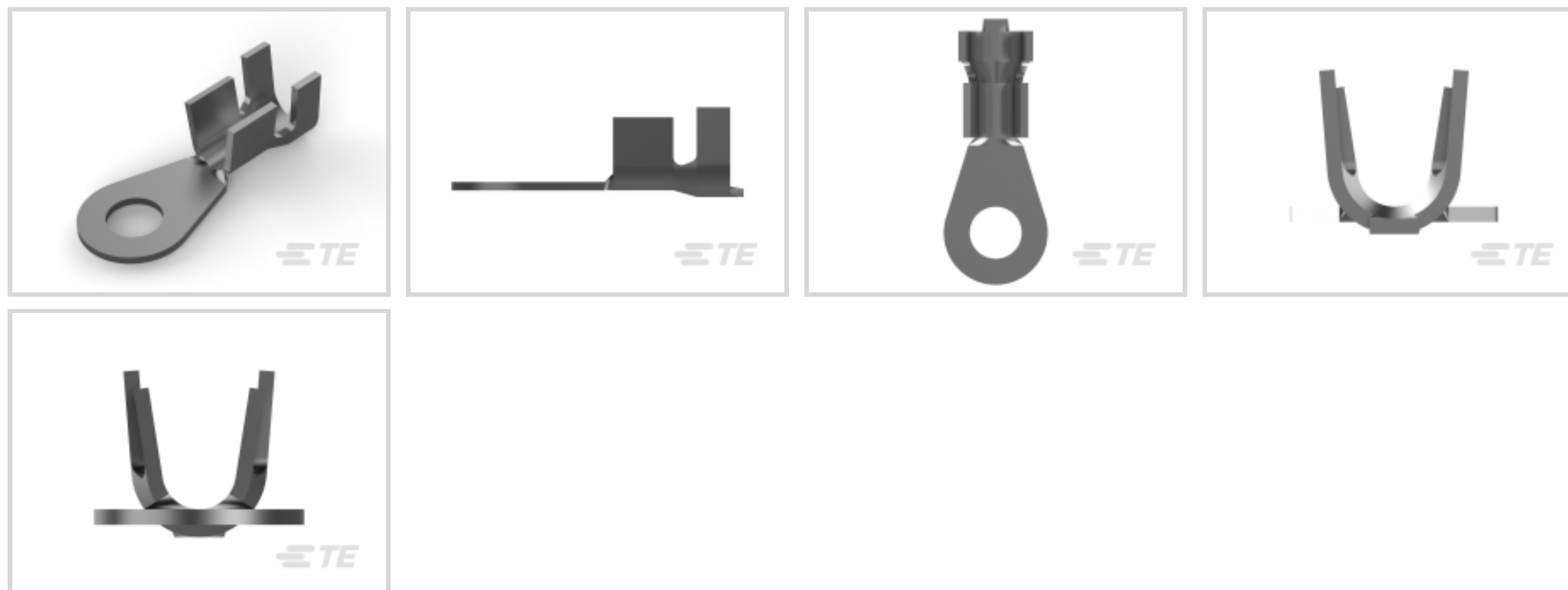
TE Internal #: 60752-2

Closed Ring Tongue Terminal, 17 – 15 AWG, M4 / #8 Stud Size, 4.17 mm [.164 in] Stud Diameter, Open Barrel, Straight, Tin, Uninsulated, AMPLIVAR

[View on TE.com >](#)



Terminals & Splices > Ring Terminals



Ring Terminal Product Type: Closed Ring Tongue Terminal

Wire Size: 2048 – 3256 CMA

Stud Size: #8, M4

### Features

#### Product Type Features

Shape Description	RING-028
Ring Terminal Product Type	Closed Ring Tongue Terminal
Stud Size	#8, M4
Sealable	No
Compatible With Discrete Wire Type	Magnet Wire
Wire Insulation Support Retention Type	Insulation Support

#### Configuration Features

Number of Holes	1
-----------------	---

#### Contact Features

Barrel Type	Open
Terminal Orientation	Straight
Terminal Plating Material	Tin
Contact Underplating Material	Brass

#### Mechanical Attachment

Wire Insulation Support	With
-------------------------	------



### Dimensions

Wire Size	2048 – 3256 CMA
Stud Diameter	4.17 mm [.164 in]
Tongue Thickness	.64 mm [.025 in]
Product Length	21 mm [.825 in]
Barrel Inside Diameter	3.05 mm, 4.31 mm [.12 in] [.17 in]
Compatible Insulation Diameter (Max)	4.83 mm [.19 in]
Compatible Insulation Diameter Range	3.81 – 4.83 mm [.15 – .19 in]

### Usage Conditions

Insulation Option	Uninsulated
Operating Temperature Range	-40 – 105 °C [-40 – 221 °F]

### Operation/Application

Compatible With Wire Base Material	Aluminum, Copper
------------------------------------	------------------

### Industry Standards

Government Qualified Terminal	No
-------------------------------	----

### Packaging Features

Packaging Quantity	6000
Packaging Method	Reel

### Product Compliance

[For compliance documentation, visit the product page on TE.com>](#)

EU RoHS Directive 2011/65/EU	Compliant
EU ELV Directive 2000/53/EC	Compliant
China RoHS 2 Directive MIIT Order No 32, 2016	No Restricted Materials Above Threshold
EU REACH Regulation (EC) No. 1907/2006	Current ECHA Candidate List: JUNE 2023 (235) Candidate List Declared Against: JUNE 2023 (235) Does not contain REACH SVHC
Halogen Content	Low Halogen - Br, Cl, F, I < 900 ppm per homogenous material. Also BFR/CFR/PVC Free
Solder Process Capability	Not applicable for solder process capability

Product Compliance Disclaimer

This information is provided based on reasonable inquiry of our suppliers and represents our current actual knowledge based on the information they provided. This information is subject to change. The part numbers that TE has identified as EU RoHS compliant have a maximum concentration of 0.1% by weight in homogenous materials for lead, hexavalent chromium, mercury, PBB, PBDE, DBP, BBP, DEHP, DIBP, and 0.01% for cadmium, or qualify for an exemption to these limits as defined in the Annexes of Directive 2011/65/EU (RoHS2). Finished electrical and electronic equipment products will be CE marked as required by Directive 2011/65/EU. Components may not be CE marked. Additionally, the part numbers that TE has identified as EU ELV compliant have a maximum concentration of 0.1% by weight in homogenous materials for lead, hexavalent chromium, and mercury, and 0.01% for cadmium, or qualify for an exemption to these limits as defined in the Annexes of Directive 2000/53/EC (ELV). Regarding the REACH Regulation, the information TE provides on SVHC in articles for this part number is based on the latest European Chemicals Agency (ECHA) 'Guidance on requirements for substances in articles' posted at this URL: <https://echa.europa.eu/guidance-documents/guidance-on-reach>

## Compatible Parts



Also in the Series | **AMPLIVAR**



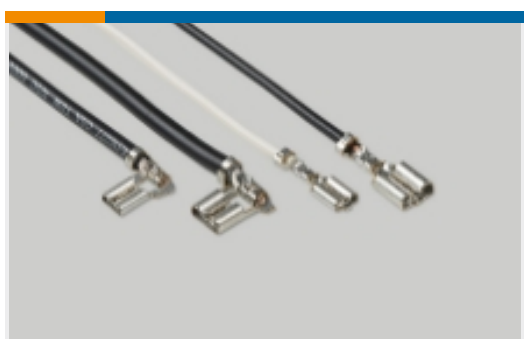
Crimp Wire Pins, Tabs & Ferrules(5)



Magnet Wire Terminals(4)



PCB Terminals(1)



Quick Disconnects(41)



Ring Terminals(28)

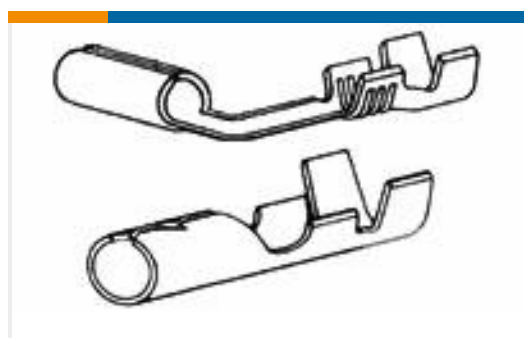


Splices(77)

### Customers Also Bought



TE Part #170889-2  
SLEEVE DIA3 SHUR PLUG NAT



TE Part #42142-1  
SHUR PLUG TERMINAL 18-14 AWG  
TPBR



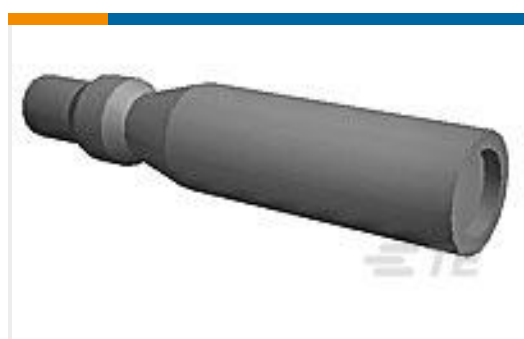
TE Part #60323-2  
AMPLIVAR RG 23-19 8 TPBR



TE Part #60320-2  
AMPLIVAR RG 18-14 #8 TPBR



TE Part #60322-2  
AMPLIVAR RG 20-16 8 TPBR



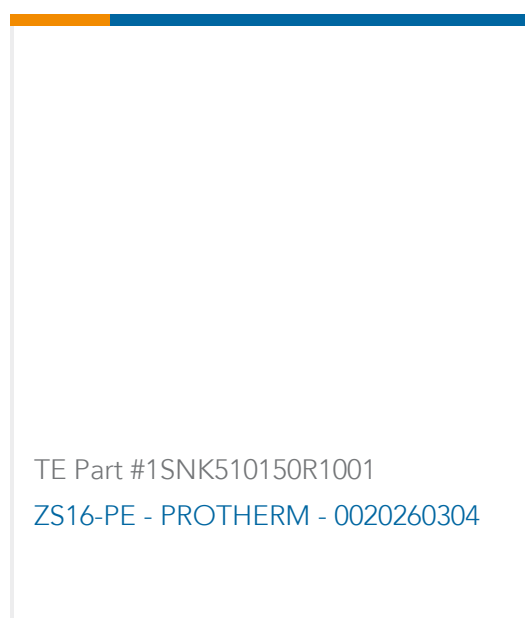
TE Part #170889-1  
SLEEVE DIA5 SHUR PLUG NAT



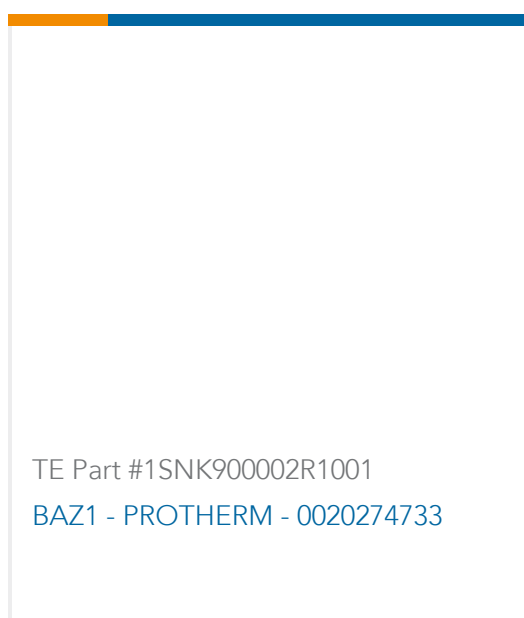
TE Part #1SNK510010R1001  
ZS16 - PROTHERM - 0020260303



TE Part #1SNK510020R1001  
ZS16-BL - PROTHERM - 0020260302



TE Part #1SNK510150R1001  
ZS16-PE - PROTHERM - 0020260304



TE Part #1SNK900002R1001  
BAZ1 - PROTHERM - 0020274733

### Documents



### Product Drawings

[AMVAR RING IS 2/17-2/158TPBR](#)

English

---

### CAD Files

[3D PDF](#)

3D

Customer View Model

[ENG\\_CVM\\_CVM\\_60752-2\\_N.2d\\_dxf.zip](#)

English

Customer View Model

[ENG\\_CVM\\_CVM\\_60752-2\\_N.3d\\_igs.zip](#)

English

Customer View Model

[ENG\\_CVM\\_CVM\\_60752-2\\_N.3d\\_stp.zip](#)

English

By downloading the CAD file I accept and agree to the [Terms and Conditions](#) of use.

---

### Product Specifications

[Application Specification](#)

English

---

### Product Environmental Compliance

[Product Compliance](#)

English

[Product Compliance](#)

English