

60577-1 ✓ ACTIVE

FASTON | FASTON 110

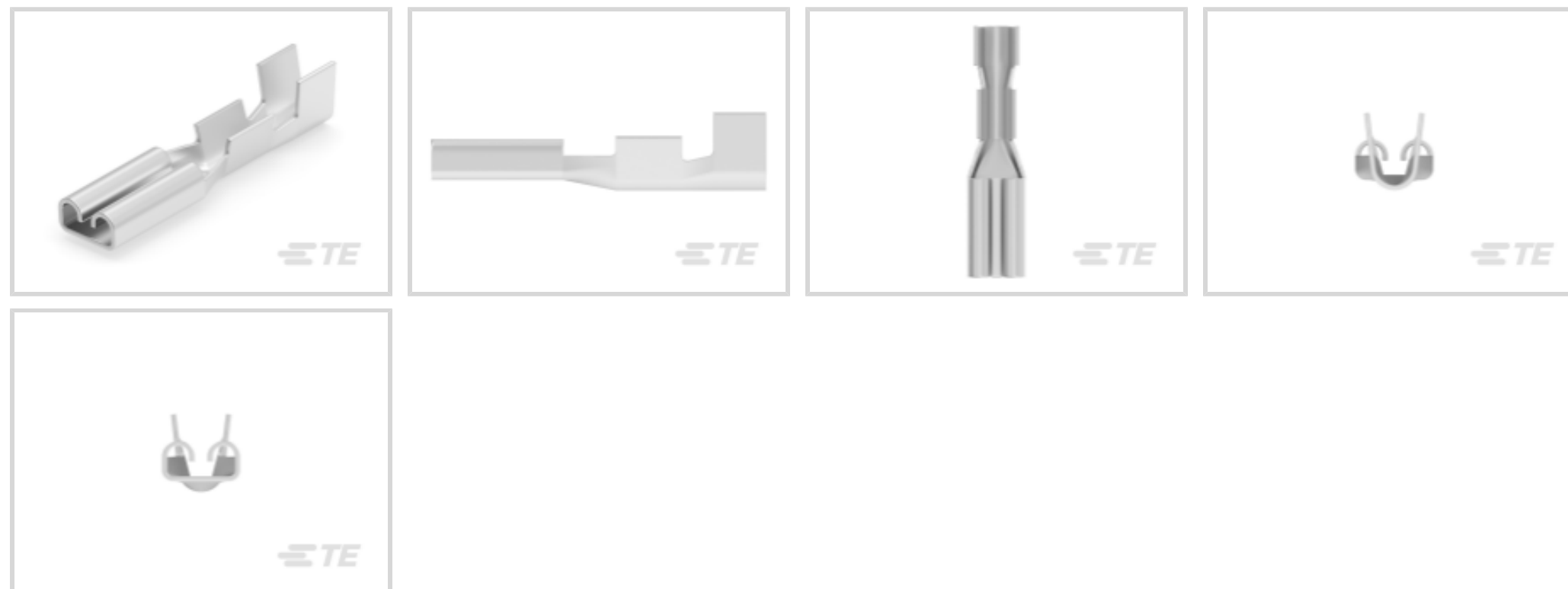
TE Internal #: 60577-1

Quick Disconnects, Receptacle, 22 – 18 AWG Wire Size, .32 – .82 mm² Wire Size, 642 – 1624 CMA Wire Size, Mating Tab Width 2.8 mm [.11 in], FASTON 110

[View on TE.com >](#)



Terminals & Splices > Quick Disconnects



Quick Disconnect Terminal Type: **Receptacle**

Wire Size: **642 – 1624 CMA**

Mating Tab Width: **2.8 mm [.11 in]**

Features

Configuration Features

Connection Capacity	Single
Compatible With Wire & Cable Type	Discrete Wire

Contact Features

Quick Disconnect Terminal Type	Receptacle
Mating Tab Width	2.8 mm [.11 in]
Mating Tab Thickness	.81 mm [.032 in]
Terminal Orientation	Straight
Contact Base Material	Brass
Terminal Plating Material	Tin
Crimp Type	F-Crimp
Barrel Type	Open

Termination Features

Product Terminates To	Wire & Cable
-----------------------	--------------

Mechanical Attachment

Wire Insulation Support	With
-------------------------	------



Mating Retention Type	Dimple
-----------------------	--------

Dimensions

Terminal Material Thickness	.25 mm[.01 in]
Wire Size	642 – 1624 CMA

Usage Conditions

Insulation Option	Uninsulated
Operating Temperature Range	-40 – 105 °C[-40 – 221 °F]

Industry Standards

Agency/Standard	CSA, UL
-----------------	---------

Packaging Features

Packaging Quantity	15000
Packaging Method	Reel

Product Compliance

[For compliance documentation, visit the product page on TE.com>](#)

EU RoHS Directive 2011/65/EU	Compliant
EU ELV Directive 2000/53/EC	Compliant
China RoHS 2 Directive MIIT Order No 32, 2016	No Restricted Materials Above Threshold
EU REACH Regulation (EC) No. 1907/2006	Current ECHA Candidate List: JUNE 2023 (235) Candidate List Declared Against: JUNE 2023 (235) Does not contain REACH SVHC
Halogen Content	Low Halogen - Br, Cl, F, I < 900 ppm per homogenous material. Also BFR/CFR/PVC Free
Solder Process Capability	Not applicable for solder process capability

Product Compliance Disclaimer

This information is provided based on reasonable inquiry of our suppliers and represents our current actual knowledge based on the information they provided. This information is subject to change. The part numbers that TE has identified as EU RoHS compliant have a maximum concentration of 0.1% by weight in homogenous materials for lead, hexavalent chromium, mercury, PBB, PBDE, DBP, BBP, DEHP, DIBP, and 0.01% for cadmium, or qualify for an exemption to these limits as defined in the Annexes of Directive 2011/65/EU (RoHS2). Finished electrical and electronic equipment products will be CE marked as required by Directive 2011/65/EU. Components may not be CE marked. Additionally, the part numbers that TE has identified as EU ELV compliant have a maximum concentration of 0.1% by weight in homogenous materials for lead, hexavalent chromium, and mercury, and 0.01% for cadmium, or qualify for an exemption to these limits as defined in the Annexes of Directive 2000/53/EC (ELV). Regarding the REACH Regulation, the information TE provides on SVHC in articles for this part number is based on the latest European Chemicals Agency (ECHA) 'Guidance on requirements for substances in articles' posted at this URL: <https://echa.europa.eu/guidance-documents/guidance-on-reach>

Compatible Parts



TE Part # 2063846-1
CII 110 FASTON REC 24-18 ASSY



TE Part # 2-2150636-1
OCEAN-2.0-APPLICATOR-S-062F090OV



TE Part # 2-2150636-2
OCEAN-2.0-APPLICATOR-S-062F090OVA



TE Part # 2150049-1
OCEAN-2.0-APPLICATOR-E-062F090F



TE Part # 2150049-2
OCEAN-2.0-APPLICATOR-E-062F090FA



TE Part # 2150636-1
OCEAN-2.0-APPLICATOR-S-062F090OV



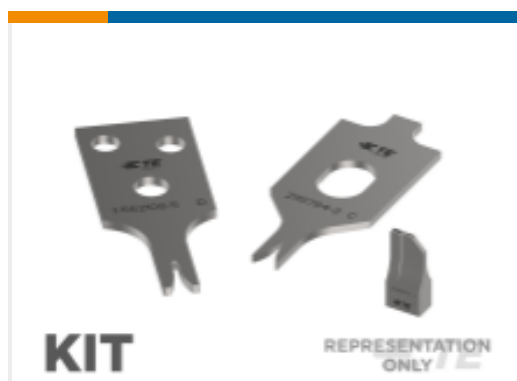
TE Part # 2150636-2
OCEAN-2.0-APPLICATOR-S-062F090OVA



TE Part # 7-2150049-1
OCEAN-2.0-APPLICATOR-E-062F090F



TE Part # 7-2150049-2
OCEAN-2.0-APPLICATOR-E-062F090FA



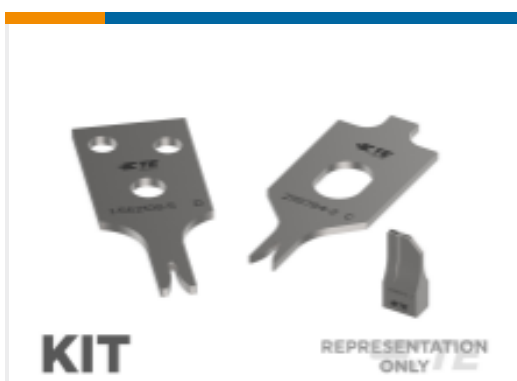
TE Part # 7-2150049-7
OCEAN_2.0_SPARE_PART_KIT-062F090F



TE Part # 7-2150636-1
OCEAN-2.0-APPLICATOR-S-062F090OV



TE Part # 7-2150636-2
OCEAN-2.0-APPLICATOR-S-062F090OVA



TE Part # 7-2150636-7
OCEAN_2.0_SPARE_PART_KIT-062F090OV

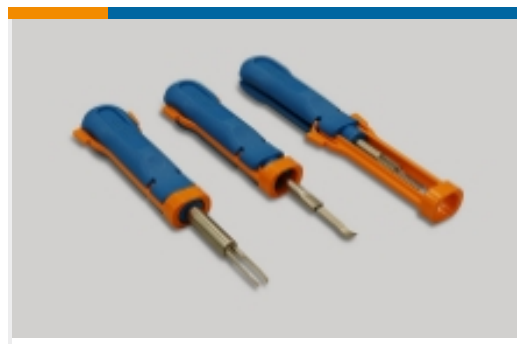


TE Part # 2-2150049-2
OCEAN-2.0-APPLICATOR-E-062F090FA

Also in the Series | **FASTON 110**



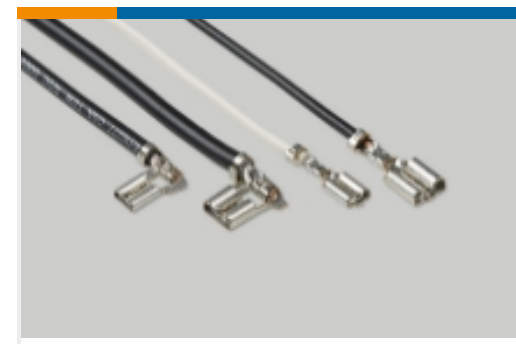
Crimp Terminal Housings(13)



Insertion & Extraction Tools(1)

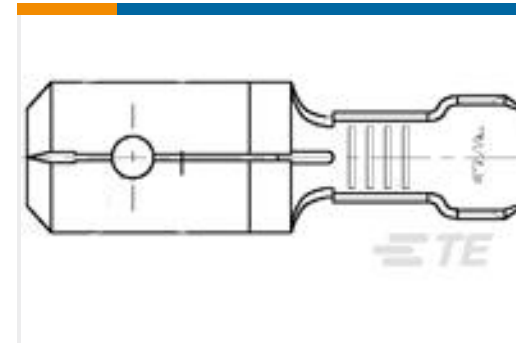
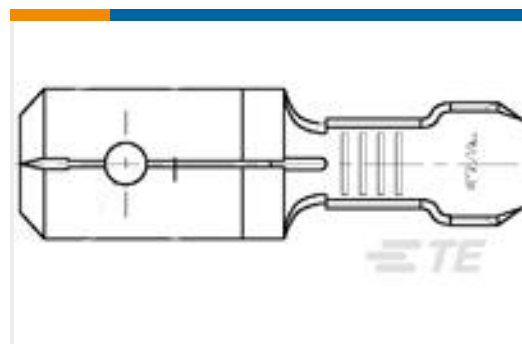
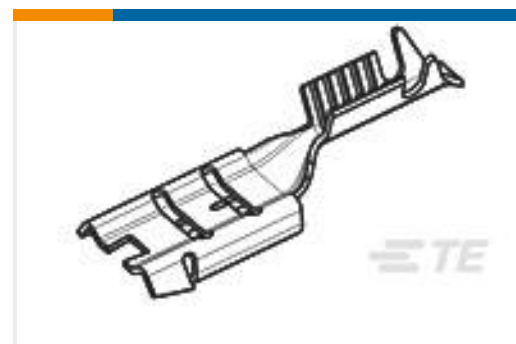
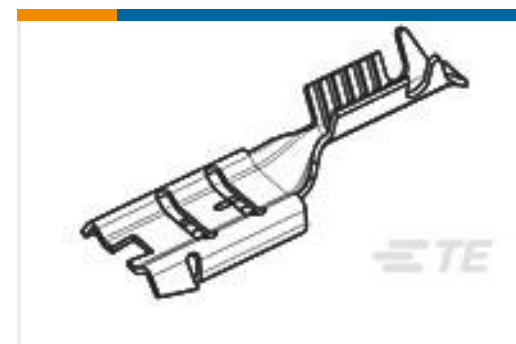
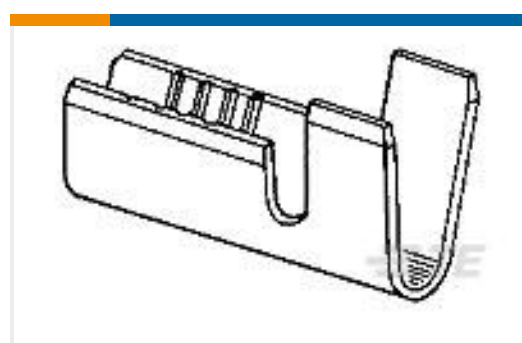


PCB Terminals(21)



Quick Disconnects(171)

Customers Also Bought

TE Part #6609116-3
6EHG1-2=F7704 S0TE Part #1-480683-0
02P CMNL PLUG HSG F/H NATLTE Part #207304-1
24 POS SQ GRID METRIMATE-PLUGTE Part #42475-2
250 FASTON TAB 22-18 AWG TPBRTE Part #42474-4
250 FASTON TAB 18-14 AWG TPBRTE Part #1742999-1
250 FASTON, FLAG, REC., 18-14 AWG,
BRTE Part #1478484-1
STATOR TERMINALTE Part #1478484-2
STATOR TERMINALTE Part #1742451-1
AMPLIVAR WIRE PIN 600-1400 020BRS

Documents

Product Drawings

110 FASTON REC 22-18 AWG TPBR

English

CAD Files

Customer View Model

ENG_CVM_CVM_60577-1_P.2d_dxf.zip

English

3D PDF



3D

Customer View Model

[ENG_CVM_CVM_60577-1_P.3d_igs.zip](#)

English

Customer View Model

[ENG_CVM_CVM_60577-1_P.3d_stp.zip](#)

English

By downloading the CAD file I accept and agree to the [Terms and Conditions](#) of use.

Datasheets & Catalog Pages

[82004 FASTON Terminals \(Insulated and Uninsulated\) Catalog - FASTON Receptacles Section](#)

English

Product Specifications

[Application Specification](#)

English

Product Environmental Compliance

[TE Material Declaration](#)

English