

60252-1 ✓ ACTIVE

FASTON | Special Purpose Terminals

TE Internal #: 60252-1

Quick Disconnects, Receptacle, 22 – 18 AWG Wire Size, .51 – .82 mm² Wire Size, Mating Tab Width 2.62 mm [.103 in], Straight, Special Purpose Terminals

[View on TE.com >](#)



Terminals & Splices > Quick Disconnects



Quick Disconnect Terminal Type: **Receptacle**

Wire Size: .51 – .82 mm²

Mating Tab Width: 2.62 mm [.103 in]

Mating Tab Thickness: .81 mm [.032 in]

Features

Configuration Features

Connection Capacity	Single
Compatible With Wire & Cable Type	Discrete Wire

Contact Features

Quick Disconnect Terminal Type	Receptacle
Mating Tab Width	2.62 mm [.103 in]
Mating Tab Thickness	.81 mm [.032 in]
Terminal Orientation	Straight
Contact Base Material	Brass
Terminal Plating Material	Pre-Tin
Crimp Type	F-Crimp
Barrel Type	Open

Termination Features

Product Terminates To	Wire & Cable
-----------------------	--------------

Mechanical Attachment



Wire Insulation Support	With
-------------------------	------

Mating Retention Type	Dimple
-----------------------	--------

Dimensions

Terminal Material Thickness	.25 mm[.01 in]
-----------------------------	----------------

Product Length	12.2 mm[.48 in]
----------------	-----------------

Compatible Insulation Diameter Range	2.03 – 3.05 mm[.08 – .12 in]
--------------------------------------	------------------------------

Wire Size	.51 – .82 mm ²
-----------	---------------------------

Usage Conditions

Insulation Option	Uninsulated
-------------------	-------------

Operating Temperature Range	-40 – 110 °C[-40 – 230 °F]
-----------------------------	----------------------------

Industry Standards

Agency/Standard	UL
-----------------	----

Packaging Features

Packaging Quantity	10000
--------------------	-------

Packaging Method	Strip/Reel
------------------	------------

Other

Line	Budget
------	--------

Product Compliance

[For compliance documentation, visit the product page on TE.com>](#)

EU RoHS Directive 2011/65/EU	Compliant
------------------------------	-----------

EU ELV Directive 2000/53/EC	Compliant
-----------------------------	-----------

China RoHS 2 Directive MIIT Order No 32, 2016	No Restricted Materials Above Threshold
---	---

EU REACH Regulation (EC) No. 1907/2006	Current ECHA Candidate List: JUNE 2023 (235) Candidate List Declared Against: JUNE 2023 (235) Does not contain REACH SVHC
--	---

Halogen Content	Low Halogen - Br, Cl, F, I < 900 ppm per homogenous material. Also BFR/CFR/PVC Free
-----------------	---

Solder Process Capability	Not applicable for solder process capability
---------------------------	--

Product Compliance Disclaimer

This information is provided based on reasonable inquiry of our suppliers and represents our current actual knowledge based on the information they provided. This information is subject to change. The part numbers that TE has identified as EU RoHS compliant have a maximum concentration of 0.1% by weight in homogenous materials for lead, hexavalent chromium, mercury, PBB, PBDE, DBP, BBP, DEHP, DIBP, and 0.01% for cadmium, or qualify for an exemption to these limits as defined in the Annexes of Directive 2011/65/EU (RoHS2). Finished electrical and electronic equipment products will be CE marked as required by Directive 2011/65/EU. Components may not be CE marked. Additionally, the part numbers that TE has identified as EU ELV compliant have a maximum concentration of 0.1% by weight in homogenous materials for lead, hexavalent chromium, and mercury, and 0.01% for cadmium, or qualify for an exemption to these limits as defined in the Annexes of Directive 2000/53/EC (ELV). Regarding the REACH Regulation, the information TE provides on SVHC in articles for this part number is based on the latest European Chemicals Agency (ECHA) 'Guidance on requirements for substances in articles' posted at this URL: <https://echa.europa.eu/guidance-documents/guidance-on-reach>

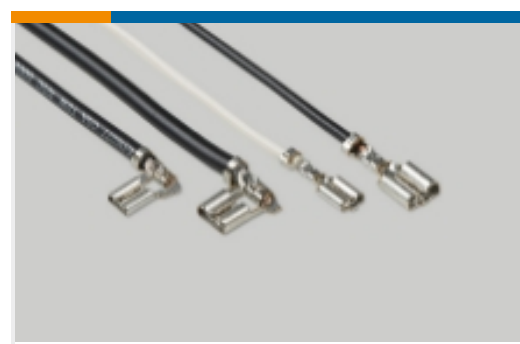
Compatible Parts



Also in the Series | [Special Purpose Terminals](#)

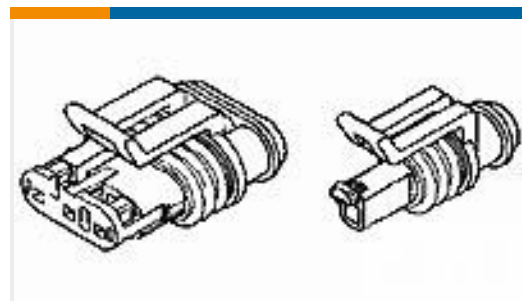


PCB Terminals(2)

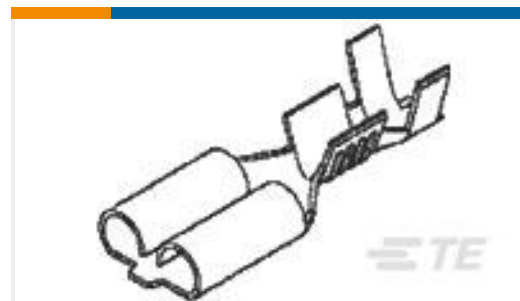


Quick Disconnects(9)

Customers Also Bought



TE Part #282080-2
AMP SUPERSEAL 1.5 SERIES 2P PL



TE Part #170032-5
250 FASTON,REC.,20-14 AWG,TPBR



TE Part #1658622-5
24 NOVO MIL/CTR 30DP,LEAD FREE



TE Part #1423675-7
W57-XB7A4A10-10=CKTBKR,THERM,P



TE Part #4-1879355-2
RR03 5% 220K AMMO



TE Part #2-1879352-1
RR02 5% 2R2 AMMO



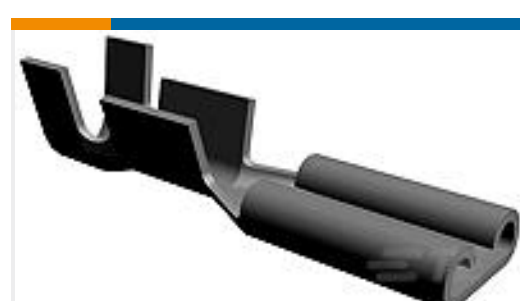
TE Part #1721768-5
PCH-112L2M-WG



TE Part #170021-2
SHUR PLUG RECEPTACLE 20-16 AWG
TPBR



TE Part #170021-1
SHUR PLUG RECEPTACLE 20-16 AWG
TPBR



TE Part #60432-1
103 FASTON REC 22-18 AWG TPBR

Documents

Product Drawings

[103 FASTON REC 22-18 AWG TPBR](#)

English

CAD Files

Customer View Model

[ENG_CVM_CVM_60252-1_T.2d_dxf.zip](#)

English

[3D PDF](#)



3D

Customer View Model

[ENG_CVM_CVM_60252-1_T.3d_igs.zip](#)

English

Customer View Model

[ENG_CVM_CVM_60252-1_T.3d_stp.zip](#)

English

By downloading the CAD file I accept and agree to the [Terms and Conditions](#) of use.

Datasheets & Catalog Pages

[82004 FASTON Terminals \(Insulated and Uninsulated\) Catalog - FASTON Receptacles Section](#)

English

Product Specifications

[Application Specification](#)

English