

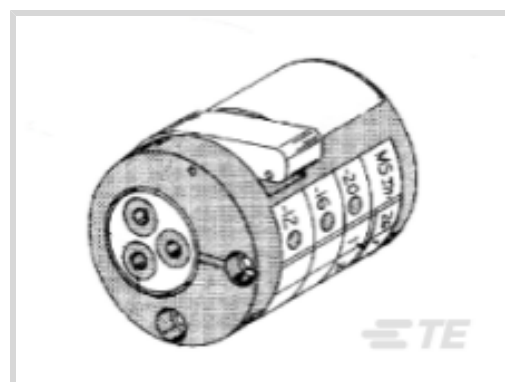
601967-2 ✓ ACTIVE

TE Internal #: 601967-2

TE Internal Description: POSITIONER M22520/1-02

Mil-Spec: [M22520/1-02]

[View on TE.com >](#)



## Product Compliance

[For compliance documentation, visit the product page on TE.com>](#)

EU RoHS Directive 2011/65/EU	Compliant
EU ELV Directive 2000/53/EC	Out of Scope
China RoHS 2 Directive MIIT Order No 32, 2016	No Restricted Materials Above Threshold
EU REACH Regulation (EC) No. 1907/2006	Current ECHA Candidate List: JUNE 2023 (235) Candidate List Declared Against: JAN 2021 (211) Does not contain REACH SVHC
Halogen Content	Low Halogen - Br, Cl, F, I < 900 ppm per homogenous material. Also BFR/CFR/PVC Free
Solder Process Capability	Not applicable for solder process capability

### Product Compliance Disclaimer

This information is provided based on reasonable inquiry of our suppliers and represents our current actual knowledge based on the information they provided. This information is subject to change. The part numbers that TE has identified as EU RoHS compliant have a maximum concentration of 0.1% by weight in homogenous materials for lead, hexavalent chromium, mercury, PBB, PBDE, DBP, BBP, DEHP, DIBP, and 0.01% for cadmium, or qualify for an exemption to these limits as defined in the Annexes of Directive 2011/65/EU (RoHS2). Finished electrical and electronic equipment products will be CE marked as required by Directive 2011/65/EU. Components may not be CE marked. Additionally, the part numbers that TE has identified as EU ELV compliant have a maximum concentration of 0.1% by weight in homogenous materials for lead, hexavalent chromium, and mercury, and 0.01% for cadmium, or qualify for an exemption to these limits as defined in the Annexes of Directive 2000/53/EC (ELV). Regarding the REACH Regulation, the information TE provides on SVHC in articles for this part number is based on the latest European Chemicals Agency (ECHA) 'Guidance on requirements for substances in articles' posted at this URL: <https://echa.europa.eu/guidance-documents/guidance-on-reach>

## Compatible Parts



TE Part # 1648203-1  
297-08-01100=SA CONN,PIN



TE Part # 1648206-1  
298-08-01100=SA CONN,SKT



TE Part # 1766193-1  
CONTACT,PIN,SIZE #12



TE Part # 6648318-1  
CONTACT,SKT,#12



TE Part # 1648325-1  
702-92-01109=CONTACT,SKT,#20



TE Part # 1648384-1  
708-73-01109=SA CONTACT,SKT



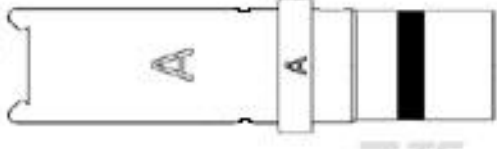
TE Part # 1650155-1  
701-14-02109=CONTACT,PIN,#20



TE Part # 204978-3  
PIN CONTACT, SZ 16



TE Part # 208270-4  
SKT CONT ASSY,SZ 16,ARINC



TE Part # 1738018-1  
SOCKET CONTACT SIZE 12 GPR



TE Part # 1650153-2  
701-12-02109=CONTACT,PIN,#12



TE Part # 205117-1  
SKT CONTACT,SZ 16



TE Part # 1650161-1  
701-64-02109=CONTACT,PIN,#20



TE Part # 1650162-2  
701-65-02109=CONTACT,PIN,#20



TE Part # 208270-2  
SKT CONT ASSY



TE Part # 1650162-3  
701-65-02157=CONTACT,PIN,#20



TE Part # 208268-2  
PIN CONTACT, SZ 16, NIC 600



TE Part # 208268-3  
PIN CONT,SZ 16,NIC 600

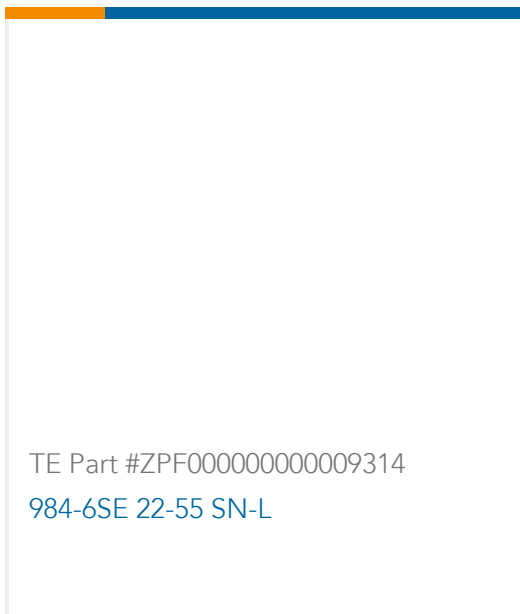
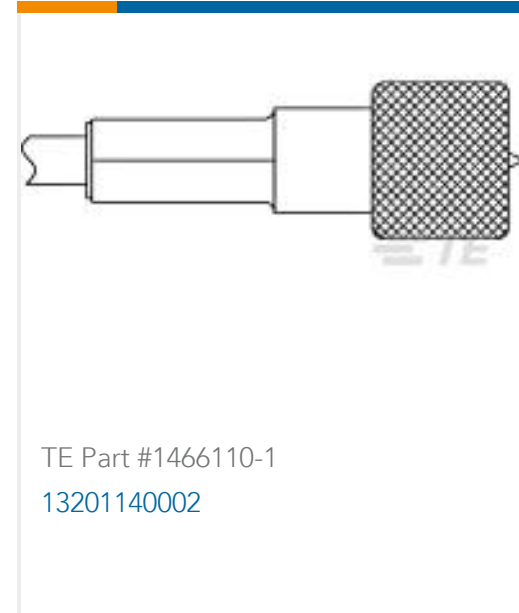
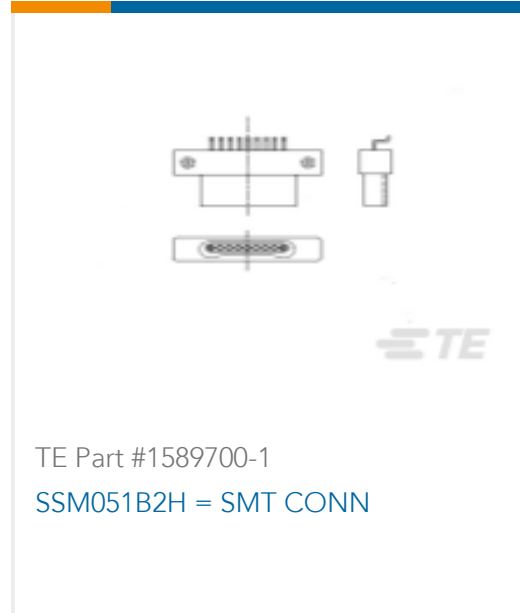
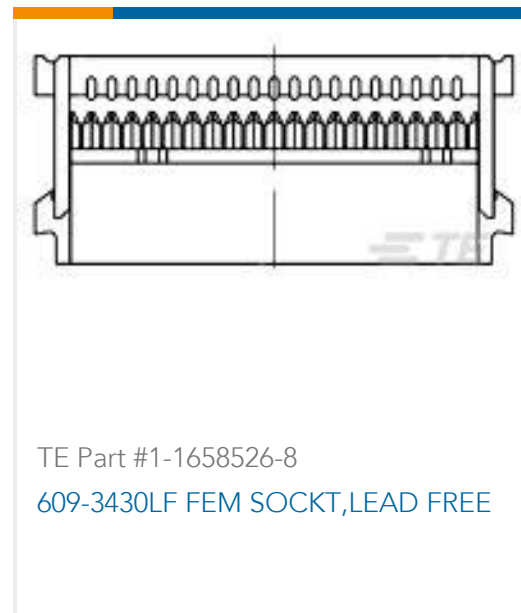


TE Part # 1-592404-1  
5000-027-0016



TE Part # 1650155-2  
701-14-02157=CONTACT,PIN,#20

## Customers Also Bought



## Documents

### Datasheets & Catalog Pages

#### Bottoming Dies

English

### Instruction Sheets

#### Instruction Sheet (U.S.)

English