

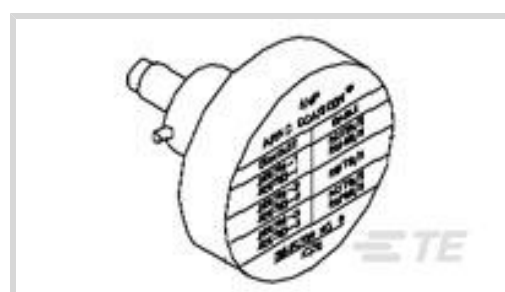
601966-8 ✓ ACTIVE

TE Internal #: 601966-8

TE Internal Description: POSITIONER, K267-1

Mil-Spec: [M22520/2-23]

[View on TE.com >](#)



## Product Compliance

[For compliance documentation, visit the product page on TE.com>](#)

EU RoHS Directive 2011/65/EU	Out of Scope
EU ELV Directive 2000/53/EC	Out of Scope
China RoHS 2 Directive MIIT Order No 32, 2016	No Restricted Materials Above Threshold
EU REACH Regulation (EC) No. 1907/2006	Current ECHA Candidate List: JUNE 2023 (235) Candidate List Declared Against: JAN 2021 (211) Does not contain REACH SVHC
Halogen Content	Low Halogen - Br, Cl, F, I < 900 ppm per homogenous material. Also BFR/CFR/PVC Free
Solder Process Capability	Not applicable for solder process capability

### Product Compliance Disclaimer

This information is provided based on reasonable inquiry of our suppliers and represents our current actual knowledge based on the information they provided. This information is subject to change. The part numbers that TE has identified as EU RoHS compliant have a maximum concentration of 0.1% by weight in homogenous materials for lead, hexavalent chromium, mercury, PBB, PBDE, DBP, BBP, DEHP, DIBP, and 0.01% for cadmium, or qualify for an exemption to these limits as defined in the Annexes of Directive 2011/65/EU (RoHS2). Finished electrical and electronic equipment products will be CE marked as required by Directive 2011/65/EU. Components may not be CE marked. Additionally, the part numbers that TE has identified as EU ELV compliant have a maximum concentration of 0.1% by weight in homogenous materials for lead, hexavalent chromium, and mercury, and 0.01% for cadmium, or qualify for an exemption to these limits as defined in the Annexes of Directive 2000/53/EC (ELV). Regarding the REACH Regulation, the information TE provides on SVHC in articles for this part number is based on the latest European Chemicals Agency (ECHA) 'Guidance on requirements for substances in articles' posted at this URL: <https://echa.europa.eu/guidance-documents/guidance-on-reach>

## Compatible Parts



TE Part # 208262-3  
5009-328-0022



TE Part # 205103-3  
SKT CONTACT, SZ 22



TE Part # 211901-5  
PIN CONT SZ 22, MIL 600



TE Part # 204873-4  
5009-329-0022



TE Part # 208264-2  
SKT CONTACT SZ 22



TE Part # 208264-4  
SKT CONT ASSY, SZ 22, ARINC



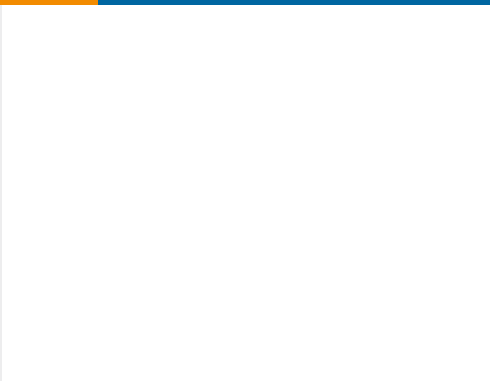
TE Part # 204873-2  
PIN CONTACT



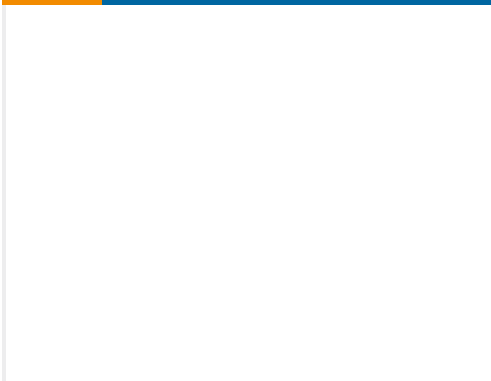
TE Part # 1738008-1  
SOC CONT ASY, SIZE 22, GPR



TE Part # 1738007-1  
PIN CONT, SIZE 22, GPR



TE Part # 204873-1  
PIN CONTACT



TE Part # 204873-8  
5059-329-0022



TE Part # 208262-5  
PIN CONTACT, SZ 22, ARINC 600

### Customers Also Bought



TE Part # 1-1879453-5  
TE 1000W 15R 5% Bracket



TE Part # 5205718-1  
CABLE SUPPORT HSG ASSY



TE Part # 750644-1  
50SR SCREWLOCK KIT, FEMALE



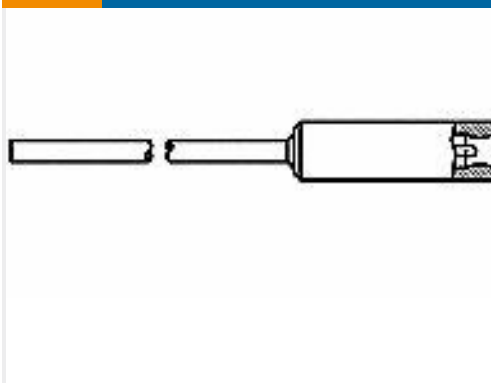
TE Part # 806799-000  
222D121-25-0



TE Part # YDTS20F23-35SBV001  
RECP ASSY



TE Part # 1589700-1  
SSM051B2H = SMT CONN



TE Part # 1218148-1  
LGH, MICRO-MIN, RCPT, ASSY, 170SER



TE Part # 2562-209-2231  
CONT SOC ASSY



TE Part #346108-000  
S02-13-R



TE Part #8-55848-2  
22-18 PRE-INSUL SEALED TERM R

## Documents

### Datasheets & Catalog Pages

#### Bottoming Dies

English

---

### Instruction Sheets

#### Instruction Sheet (U.S.)

English

---

### Agency Approvals

#### CSA Certificate

English