

6-929264-2 ✓ ACTIVE

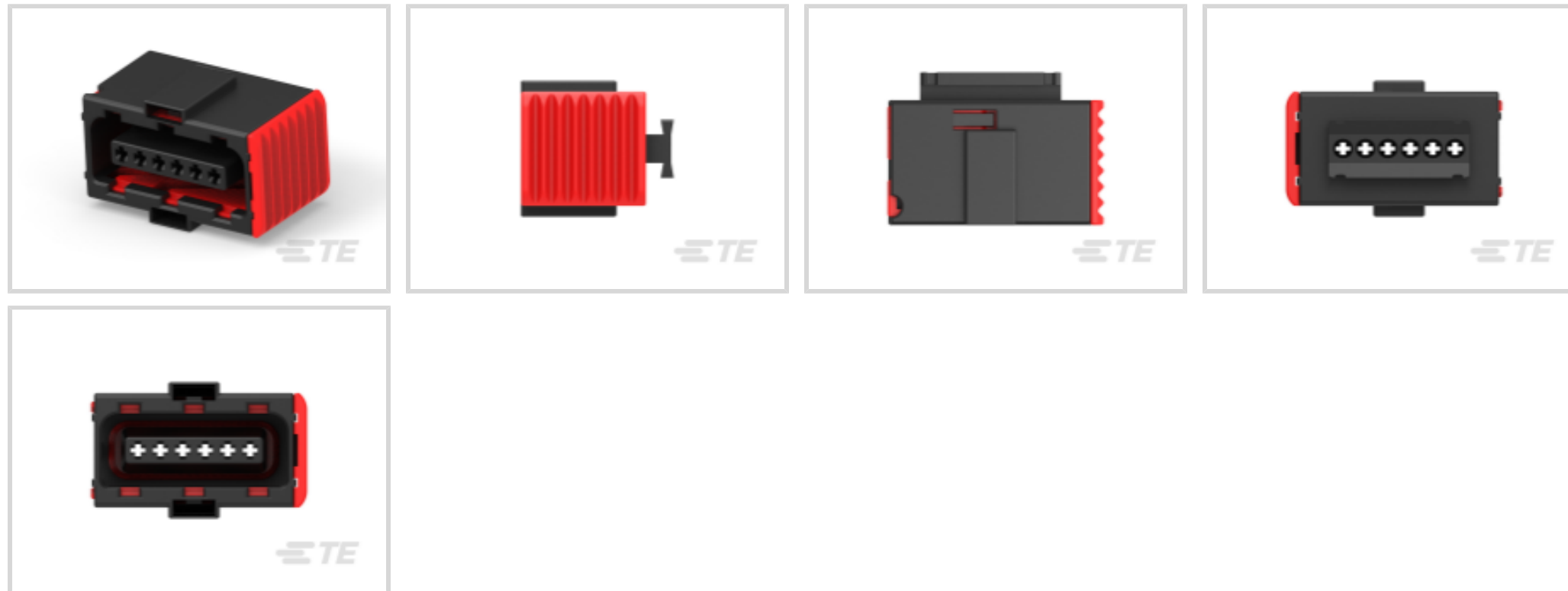
TE Internal #: 6-929264-2

Housing for Female Terminals, Wire-to-Board / Wire-to-Wire, 6  
Position, .16 in [4.2 mm] Centerline, Sealable, Black, Wire & Cable,  
Signal

[View on TE.com >](#)



Connectors > Automotive Connectors > Automotive Housings



Connector System: **Wire-to-Board, Wire-to-Wire**

Number of Positions: **6**

Connector & Housing Type: **Housing for Female Terminals**

Centerline (Pitch): **4.2 mm [ .16 in ]**

Sealable: **Yes**

## Features

### Product Type Features

|                                   |                              |
|-----------------------------------|------------------------------|
| Mixed & Hybrid Connector          | No                           |
| Connector Shape                   | Rectangular                  |
| Connector System                  | Wire-to-Board, Wire-to-Wire  |
| Connector & Housing Type          | Housing for Female Terminals |
| Sealable                          | Yes                          |
| Connector & Contact Terminates To | Wire & Cable                 |
| Primary Locking Feature           | Locking Lance                |

### Configuration Features

|                       |   |
|-----------------------|---|
| Blank Cavity Position | 6 |
| Number of Positions   | 6 |
| Number of Rows        | 1 |

### Electrical Characteristics

|                              |        |
|------------------------------|--------|
| Operating Voltage            | 14 VAC |
| Nominal Voltage Architecture | 14 V   |



### Body Features

|                         |       |
|-------------------------|-------|
| Cable Exit Angle        | 0°    |
| Primary Product Color   | Black |
| Connector & Keying Code | N     |

### Contact Features

|                              |                |
|------------------------------|----------------|
| Contact Size                 | 1.6mm          |
| Contact Type                 | Receptacle     |
| Mating Tab Width             | 1.6 mm[.06 in] |
| Contact Current Rating (Max) | 10 A           |

### Mechanical Attachment

|                             |                            |
|-----------------------------|----------------------------|
| Terminal Position Assurance | Yes                        |
| Strain Relief               | Without                    |
| Mating Alignment Type       | Keyed                      |
| Mating Alignment            | With                       |
| Connector Mounting Type     | Cable Mount (Free-Hanging) |

### Housing Features

|                    |                |
|--------------------|----------------|
| Housing Material   | PA GF          |
| Centerline (Pitch) | 4.2 mm[.16 in] |

### Dimensions

|                                      |                          |
|--------------------------------------|--------------------------|
| Connector Height                     | 25.4 mm[.1 in]           |
| Product Width                        | 56.3 mm[2.213 in]        |
| Product Length                       | 28.5 mm[1.11 in]         |
| Compatible Insulation Diameter Range | .5 – 1 mm[.016 – .03 in] |

### Usage Conditions

|                             |                           |
|-----------------------------|---------------------------|
| Operating Temperature (Max) | 85 °C[85 °F]              |
| Operating Temperature Range | -40 – 85 °C[-40 – 185 °F] |

### Operation/Application

|                     |        |
|---------------------|--------|
| Circuit Application | Signal |
|---------------------|--------|

### Industry Standards

|                      |       |
|----------------------|-------|
| Degree of Protection | IP64K |
| Agency/Standard      | CE    |

### Packaging Features



|                    |     |
|--------------------|-----|
| Packaging Quantity | 375 |
| Packaging Method   | Box |

### Other

|                                      |     |
|--------------------------------------|-----|
| Serviceable                          | Yes |
| Connector Position Assurance Capable | No  |

## Product Compliance

[For compliance documentation, visit the product page on TE.com>](#)

|                                               |                                                                                                                                 |
|-----------------------------------------------|---------------------------------------------------------------------------------------------------------------------------------|
| EU RoHS Directive 2011/65/EU                  | Compliant                                                                                                                       |
| EU ELV Directive 2000/53/EC                   | Compliant                                                                                                                       |
| China RoHS 2 Directive MIIT Order No 32, 2016 | No Restricted Materials Above Threshold                                                                                         |
| EU REACH Regulation (EC) No. 1907/2006        | Current ECHA Candidate List: JUNE 2023 (235)<br>Candidate List Declared Against: JUNE 2023 (235)<br>Does not contain REACH SVHC |
| Halogen Content                               | BFR/CFR/PVC Free, but Br/Cl >900 ppm in other sources.                                                                          |
| Solder Process Capability                     | Not applicable for solder process capability                                                                                    |

#### Product Compliance Disclaimer

This information is provided based on reasonable inquiry of our suppliers and represents our current actual knowledge based on the information they provided. This information is subject to change. The part numbers that TE has identified as EU RoHS compliant have a maximum concentration of 0.1% by weight in homogenous materials for lead, hexavalent chromium, mercury, PBB, PBDE, DBP, BBP, DEHP, DIBP, and 0.01% for cadmium, or qualify for an exemption to these limits as defined in the Annexes of Directive 2011/65/EU (RoHS2). Finished electrical and electronic equipment products will be CE marked as required by Directive 2011/65/EU. Components may not be CE marked. Additionally, the part numbers that TE has identified as EU ELV compliant have a maximum concentration of 0.1% by weight in homogenous materials for lead, hexavalent chromium, and mercury, and 0.01% for cadmium, or qualify for an exemption to these limits as defined in the Annexes of Directive 2000/53/EC (ELV). Regarding the REACH Regulation, the information TE provides on SVHC in articles for this part number is based on the latest European Chemicals Agency (ECHA) 'Guidance on requirements for substances in articles' posted at this URL: <https://echa.europa.eu/guidance-documents/guidance-on-reach>

## Compatible Parts

TE Part # 6-929265-2  
MICRO TIM GEH 6P

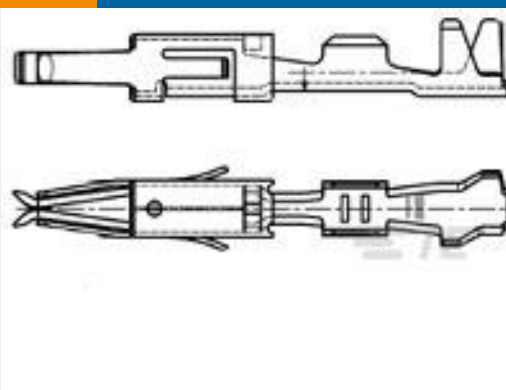
TE Part # 929266-1  
DICHTUNG

TE Part # 929267-1  
SCHIEBER

## Customers Also Bought



TE Part #316371-1  
MULTILOCK, CONNECTOR HOUSING



TE Part #962876-2  
MT2 REC 1.6 Contact SWS Sn



TE Part #284879-3  
20 POS MALE HOUSING ASSY



TE Part #2050036-1  
64P ECU PLUG CONNECTOR



TE Part #1-1534121-1  
MQS ABDECKKAP6P,SW



TE Part #1-2209521-1  
46POS. COVER ASSY



TE Part #1897785-2  
SLOT CLIP FOR RF STRIPLINE



TE Part #2-2355506-1  
2POS,MCON 1.2,REC HSG ASSY,SLD,  
COD B



TE Part #284321-1  
12 POS.MQS SHELL FOR STEERING

## Documents

### Product Drawings

[MT2 GEH 6P,ASSY,SW](#)

English

### CAD Files

[Customer View Model](#)

[ENG\\_CVM\\_CVM\\_6-929264-2\\_D.2d\\_dxf.zip](#)

English

[3D PDF](#)



3D

Customer View Model

[ENG\\_CVM\\_CVM\\_6-929264-2\\_D.3d\\_igs.zip](#)

English

Customer View Model

[ENG\\_CVM\\_CVM\\_6-929264-2\\_D.3d\\_stp.zip](#)

English

By downloading the CAD file I accept and agree to the [Terms and Conditions](#) of use.

### Product Specifications

[6 pol. MT2 Buchsengehaeuse](#)

English

[Application Specification](#)

English

[Interface for 6 Pos. MT2 Connector](#)

English

[Application Specification](#)

English