

TE Internal #: 6-2271134-2

Standard Circular Connectors, Wire-to-Wire, 12 Position, Sealable,
Wire & Cable, Signal, Panel Mount, Reverse Gender, Nickel, Zinc
Alloy

[View on TE.com >](#)

Connectors > Circular Connectors > Standard Circular Connectors

Connector System: **Wire-to-Wire**Number of Positions: **12**Sealable: **Yes**Connector & Contact Terminates To: **Wire & Cable**Contact Current Rating (Max): **1.5 A**

Features

Product Type Features

Product Type	Connector Assembly
Connector System	Wire-to-Wire
Sealable	Yes
Connector & Contact Terminates To	Wire & Cable
Circular Connector Type	Receptacle
Shell Type	Metal

Configuration Features

Number of Positions	12
Number of Power Positions	0
Number of Signal Positions	12
Contacts Preloaded	Yes

Body Features

Shell Plating Material	Nickel
Shell Base Material	Zinc Alloy
Circular Connector Insulation Material Type	Polyamide 66 GF25

Contact Features

Contact Current Rating (Max)	1.5 A
Reverse Gender	Yes
Contact Layout Arrangement	Circular



Circular Connector Contact Type	Pin
---------------------------------	-----

Mechanical Attachment

Connector Mounting Type	Panel Mount
-------------------------	-------------

Polarization Code	A
-------------------	---

Mating Alignment Type	Keyed
-----------------------	-------

Mating Retention	With
------------------	------

Housing Features

Circular Connector Shell Size	12
-------------------------------	----

Dimensions

Wire Size	.14 mm ²
-----------	---------------------

Usage Conditions

Operating Temperature Range	-40 – 80 °C[-40 – 176 °F]
-----------------------------	---------------------------

Operation/Application

Circuit Application	Signal
---------------------	--------

Shielded	No
----------	----

Product Compliance

[For compliance documentation, visit the product page on TE.com>](#)

EU RoHS Directive 2011/65/EU	Compliant with Exemptions
------------------------------	---------------------------

EU ELV Directive 2000/53/EC	Compliant with Exemptions
-----------------------------	---------------------------

China RoHS 2 Directive MIIT Order No 32, 2016	Restricted Materials Above Threshold
---	--------------------------------------

EU REACH Regulation (EC) No. 1907/2006	Current ECHA Candidate List: JUNE 2023 (235) Candidate List Declared Against: JUNE 2023 (235) SVHC > Threshold: Pb (3% in Component Part)
--	--

Article Safe Usage Statements:
Do not eat, drink or smoke when using this product. Wash thoroughly after handling. Recycle if possible and dispose of the article by following all applicable governmental regulations relevant to your geographic location.

Halogen Content	Low Halogen - Br, Cl, F, I < 900 ppm per homogenous material. Also BFR/CFR/PVC Free
-----------------	---

Solder Process Capability	Not reviewed for solder process capability
---------------------------	--

Product Compliance Disclaimer

This information is provided based on reasonable inquiry of our suppliers and represents our current actual knowledge based on the information they provided. This information is subject to change. The part numbers that TE has identified as EU RoHS compliant have a maximum concentration of 0.1% by weight in homogenous materials for lead, hexavalent chromium, mercury, PBB, PBDE, DBP, BBP, DEHP, DIBP, and 0.01% for cadmium, or qualify for an exemption to these limits as defined in the Annexes of Directive 2011/65/EU (RoHS2). Finished electrical and electronic equipment products will be CE marked as required by Directive 2011/65/EU. Components may not be CE marked. Additionally, the part numbers that TE has identified as EU ELV compliant have a maximum concentration of 0.1% by weight in homogenous materials for lead, hexavalent chromium, and mercury, and 0.01% for cadmium, or qualify for an exemption to these limits as defined in the Annexes of Directive 2000/53/EC (ELV). Regarding the REACH Regulation, the information TE provides on SVHC in articles for this part number is based on the latest European Chemicals Agency (ECHA) 'Guidance on requirements for substances in articles' posted at this URL: <https://echa.europa.eu/guidance-documents/guidance-on-reach>

Compatible Parts



TE Part # 6-2271128-2
M12, FEMALE, A CODE, R/A, 12P, PG9 (AU)

Customers Also Bought



TE Part #T4171330012-001
M12, FRONT MOUNT, FEMALE, A, 12P, 0.2M WIRE



TE Part #A1004BT22P0
NTC THERMISTOR ASSEMBLY



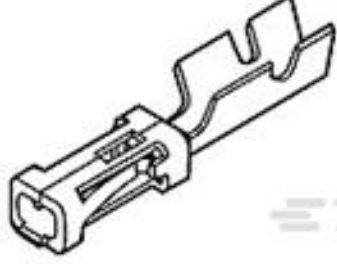
TE Part #87499-7
04 MODIV HSG SR MRKD .100CL




TE Part #87631-3
08 MODIV HSG COMP DR .100 POL



TE Part #87499-3
02 MODIV HSG SR MRKD .100CL



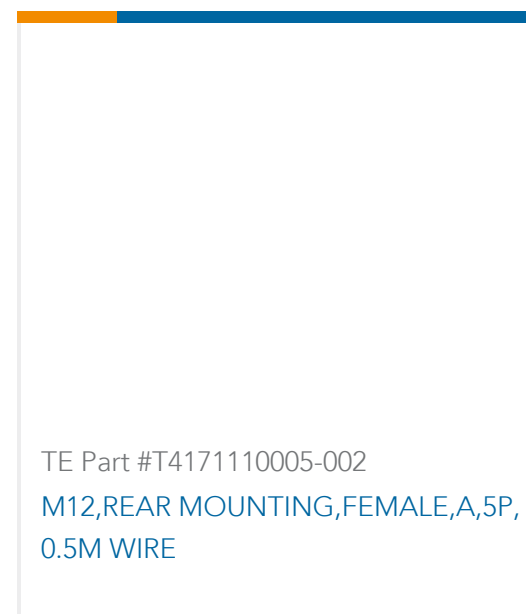
TE Part #87756-7
MOD IV RECP LP



TE Part #1-104480-4
SHORT POINT RECP CONT LP



TE Part #87456-3
08 MODIV HSG COMP DR .100CL



Documents

Product Drawings

[M12,MALE PNL,A CODE,SOLDER REAR,12P,\(AU\)](#)

English

CAD Files

[3D PDF](#)

3D

Customer View Model

[ENG_CVM_CVM_6-2271134-2_A.2d_dxf.zip](#)

English

Customer View Model

[ENG_CVM_CVM_6-2271134-2_A.3d_igs.zip](#)

English

Customer View Model

[ENG_CVM_CVM_6-2271134-2_A.3d_stp.zip](#)

English

By downloading the CAD file I accept and agree to the [Terms and Conditions](#) of use.

Datasheets & Catalog Pages

[M8 / M12 Connector System Catalog](#)

English

[M8 / M12 Connector System Catalog](#)

Japanese

Product Specifications

[Product Specification](#)

English