

# 3FB3-MS ✓ ACTIVE

Corcom FB

TE Internal #: 6-1609128-4

TE Internal Description: 3FB3-MS=F8440

Single Phase Filters, Corcom FB Series

[View on TE.com >](#)



## All Single Phase Filters, Corcom FB Series (9)

### Product Compliance

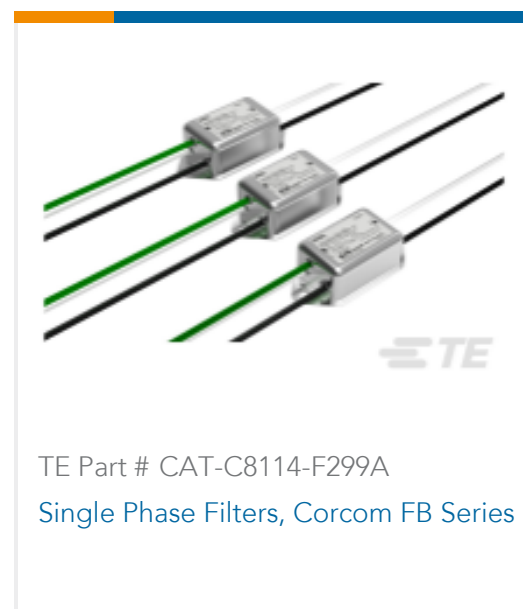
[For compliance documentation, visit the product page on TE.com>](#)

EU RoHS Directive 2011/65/EU	Compliant
EU ELV Directive 2000/53/EC	Compliant
China RoHS 2 Directive MIIT Order No 32, 2016	No Restricted Materials Above Threshold
EU REACH Regulation (EC) No. 1907/2006	Current ECHA Candidate List: JUNE 2023 (235) Candidate List Declared Against: JAN 2022 (223) Does not contain REACH SVHC
Halogen Content	Low Halogen - Br, Cl, F, I < 900 ppm per homogenous material. Also BFR/CFR/PVC Free
Solder Process Capability	Not applicable for solder process capability

#### Product Compliance Disclaimer

This information is provided based on reasonable inquiry of our suppliers and represents our current actual knowledge based on the information they provided. This information is subject to change. The part numbers that TE has identified as EU RoHS compliant have a maximum concentration of 0.1% by weight in homogenous materials for lead, hexavalent chromium, mercury, PBB, PBDE, DBP, BBP, DEHP, DIBP, and 0.01% for cadmium, or qualify for an exemption to these limits as defined in the Annexes of Directive 2011/65/EU (RoHS2). Finished electrical and electronic equipment products will be CE marked as required by Directive 2011/65/EU. Components may not be CE marked. Additionally, the part numbers that TE has identified as EU ELV compliant have a maximum concentration of 0.1% by weight in homogenous materials for lead, hexavalent chromium, and mercury, and 0.01% for cadmium, or qualify for an exemption to these limits as defined in the Annexes of Directive 2000/53/EC (ELV). Regarding the REACH Regulation, the information TE provides on SVHC in articles for this part number is based on the latest European Chemicals Agency (ECHA) 'Guidance on requirements for substances in articles' posted at this URL: <https://echa.europa.eu/guidance-documents/guidance-on-reach>

### Compatible Parts



## Also in the Series | Corcom FB



Single Phase Filters(9)

## Customers Also Bought



TE Part #2040910-1  
SEMI-HARD TRAY ASSY DDR 200P  
VERTICAL



TE Part #2-520129-2  
ULTRAFAST 250 ASSY FLAG 22-18  
TPBR LP



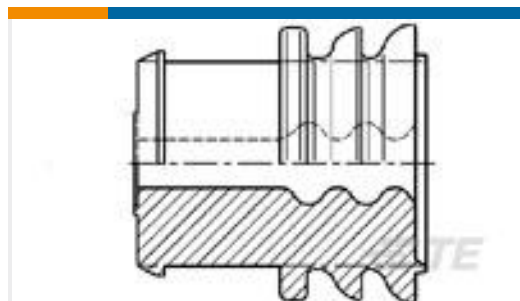
TE Part #1-1393219-0  
PE014024



TE Part #1393219-6  
PE014012



TE Part #9-1415389-1  
PE014F02



TE Part #963244-1  
EINZELDRAHTDICHTUNG



TE Part #CR2100-000  
CPGI-WC-TG-TN-BULK



TE Part #6609034-9  
20VDK1=F7620 S0



TE Part #2-2325811-1  
LUMAWISE Z45 LED HOLDER 20X24



TE Part #7-1415072-1  
RTE24F12

## Documents

### Product Drawings

[3FB3-MS=F8440](#)

English

### CAD Files

[3D PDF](#)

[3D](#)



Customer View Model

[ENG\\_CVM\\_CVM\\_6-1609128-4\\_B.2d\\_dxf.zip](#)

English

Customer View Model

[ENG\\_CVM\\_CVM\\_6-1609128-4\\_B.3d\\_igs.zip](#)

English

Customer View Model

[ENG\\_CVM\\_CVM\\_6-1609128-4\\_B.3d\\_stp.zip](#)

English

By downloading the CAD file I accept and agree to the [Terms and Conditions](#) of use.

**Datasheets & Catalog Pages**

[1654001\\_CORCOM\\_PRODUCT\\_GUIDE](#)

English

[Corcom Combined Selector Charts](#)

English