

KN701A1/4 ✓ ACTIVE

Alcoswitch

TE Internal #: 6-1437622-2

Switch Knobs, Knob, Aluminum, Straight Knurl Knob Design, 6.35 mm [.25 in] Shaft Size, 19.1 mm [.75 in] Diameter, Natural, Arrowhead

[View on TE.com >](#)



Relays, Contactors & Switches > Switches > Switch Knobs



Switch Knob Product Type: **Knob**

Switch Knob Material: **Aluminum**

Knob Design: **Straight Knurl**

Shaft Size: **6.35 mm [.25 in]**

Switch Knob Diameter: **19.1 mm [.75 in]**

Features

Product Type Features

Switch Knob Product Type	Knob
--------------------------	------

Configuration Features

Skirt	Without
Spinner	Without
Spin Plate	Without
Knob Design	Straight Knurl

Body Features

Switch Knob Material	Aluminum
Switch Knob Color	Natural

Dimensions

Shaft Size	6.35 mm [.25 in]
Switch Knob Diameter	19.1 mm [.75 in]

Identification Marking

--	--



Indicator Style	Arrowhead
Indicator Location	Top

Product Compliance

[For compliance documentation, visit the product page on TE.com>](#)

EU RoHS Directive 2011/65/EU	Compliant
EU ELV Directive 2000/53/EC	Compliant
China RoHS 2 Directive MIIT Order No 32, 2016	No Restricted Materials Above Threshold
EU REACH Regulation (EC) No. 1907/2006	Current ECHA Candidate List: JUNE 2023 (235) Candidate List Declared Against: JUNE 2023 (235) Does not contain REACH SVHC
Halogen Content	Low Halogen - Br, Cl, F, I < 900 ppm per homogenous material. Also BFR/CFR/PVC Free
Solder Process Capability	Not applicable for solder process capability

Product Compliance Disclaimer

This information is provided based on reasonable inquiry of our suppliers and represents our current actual knowledge based on the information they provided. This information is subject to change. The part numbers that TE has identified as EU RoHS compliant have a maximum concentration of 0.1% by weight in homogenous materials for lead, hexavalent chromium, mercury, PBB, PBDE, DBP, BBP, DEHP, DIBP, and 0.01% for cadmium, or qualify for an exemption to these limits as defined in the Annexes of Directive 2011/65/EU (RoHS2). Finished electrical and electronic equipment products will be CE marked as required by Directive 2011/65/EU. Components may not be CE marked. Additionally, the part numbers that TE has identified as EU ELV compliant have a maximum concentration of 0.1% by weight in homogenous materials for lead, hexavalent chromium, and mercury, and 0.01% for cadmium, or qualify for an exemption to these limits as defined in the Annexes of Directive 2000/53/EC (ELV). Regarding the REACH Regulation, the information TE provides on SVHC in articles for this part number is based on the latest European Chemicals Agency (ECHA) 'Guidance on requirements for substances in articles' posted at this URL: <https://echa.europa.eu/guidance-documents/guidance-on-reach>

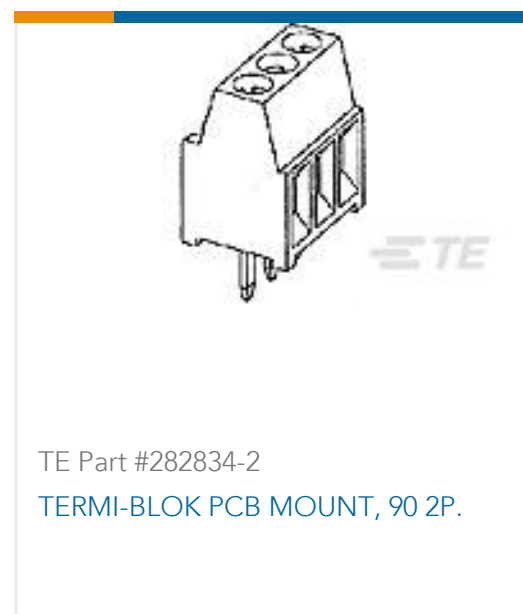
Compatible Parts



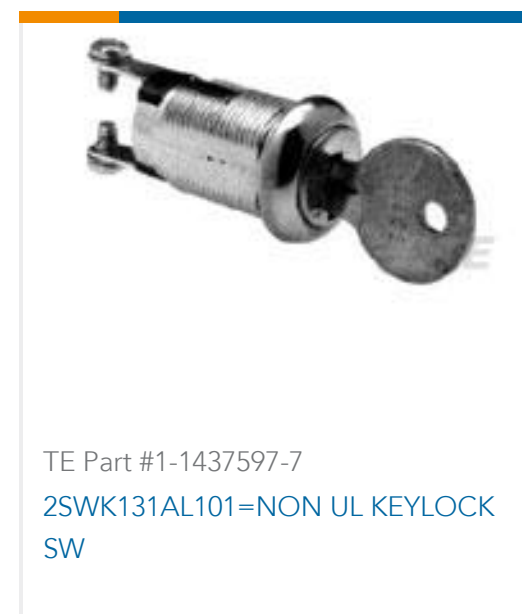
Customers Also Bought



TE Part #HDP26-18-14PE-L017
DEUTSCH HDP20 Housings



TE Part #282834-2
TERMI-BLOK PCB MOUNT, 90 2P.



TE Part #1-1437597-7
2SWK131AL101=NON UL KEYLOCK SW



TE Part #3-1618274-6
HC-3=RELAY, VACUUM, SPDT SW



TE Part #3-1879130-0
RN 0402 3K32 0.1% 10PPM 5K RL



TE Part #2176343-2
CRGCQ 1206 12R 1%



TE Part #1-2176306-4
RP 1E 0.1W 1K58 0.1% 25PPM 5K RL



TE Part #0411-310-1605
EXT TOOL, SIZE 16, 16-18 AWG, T, LT BLU

Documents

CAD Files

[3D PDF](#)

[3D](#)

Customer View Model

[ENG_CVM_CVM_6-1437622-2_99_c-6-1437622-2-99.2d_dxf.zip](#)

English

Customer View Model

[ENG_CVM_CVM_6-1437622-2_99_c-6-1437622-2-99.3d_igs.zip](#)

English

Customer View Model

[ENG_CVM_CVM_6-1437622-2_99_c-6-1437622-2-99.3d_stp.zip](#)

English

By downloading the CAD file I accept and agree to the [Terms and Conditions](#) of use.

Datasheets & Catalog Pages

[SWITCHES_CORE_PROGRAM_CATALOG](#)

English