

# SR4M4110 ✓ ACTIVE

SCHRACK | SCHRACK SR4

TE Internal #: 6-1415054-1

Power Relays, Force-Guided, Monostable, DC, 800 mW Coil Power

Rating DC, 15125  $\Omega$  Coil Resistance, 110 VDC Coil Voltage,

SCHRACK SR4

[View on TE.com >](#)



Relays, Contactors & Switches > Relays > Power Relays > Force Guided Relay with 4 contacts



Power Relay Type: **Force-Guided**

Coil Magnetic System: **Monostable, DC**

Coil Power Rating DC: **800 mW**

Coil Resistance: **15125  $\Omega$**

Coil Voltage Rating: **110 VDC**

[All Force Guided Relay with 4 contacts \(28\)](#)

## Features

### Product Type Features

Power Relay Type	Force-Guided
------------------	--------------

### Electrical Characteristics

Insulation Initial Dielectric Between Coil & Contact Class	3500 – 4000 V
Insulation Initial Dielectric Between Open Contacts	1500 Vrms
Contact Limiting Making Current	8 A
Contact Limiting Short-Time Current	8 A
Contact Limiting Continuous Current	8 A
Insulation Creepage Class	8 mm
Coil Power Rating Class	600 – 800 mW
Insulation Initial Dielectric Between Adjacent Contacts	2500 Vrms
Insulation Initial Dielectric Between Contacts & Coil	4000 Vrms
Insulation Creepage Between Contact & Coil	10 mm[.394 in]
Contact Limiting Breaking Current	8 A
Coil Current	.007 A
Coil Magnetic System	Monostable, DC
Coil Power Rating DC	800 mW
Coil Resistance	15125 $\Omega$

Coil Voltage Rating	110 VDC
---------------------	---------

Contact Switching Load (Min)	10mA @ 5V
------------------------------	-----------

Contact Switching Voltage (Max)	400 VAC
---------------------------------	---------

Contact Voltage Rating	250 VAC
------------------------	---------

### Body Features

Product Weight	30 g[1.058 oz]
----------------	----------------

### Contact Features

Contact Special Features	Force Guided Contacts
--------------------------	-----------------------

Contact Arrangement	3 Form A (NO) + 1 Form B (NC)
---------------------	-------------------------------

Contact Current Class	5 – 10 A
-----------------------	----------

Contact Current Rating (Max)	8 A
------------------------------	-----

Contact Material	AgSnO2
------------------	--------

Contact Number of Poles	4
-------------------------	---

Relay Terminal Type	PCB-THT
---------------------	---------

### Mechanical Attachment

Relay Mounting Type	Printed Circuit Board
---------------------	-----------------------

### Dimensions

Length Class (Mechanical)	35 – 40 mm
---------------------------	------------

Insulation Clearance Class	8 mm
----------------------------	------

Height Class (Mechanical)	16 – 20 mm
---------------------------	------------

Insulation Clearance Between Contact & Coil	10 mm[.394 in]
---	----------------

Width Class (Mechanical)	12 – 16 mm
--------------------------	------------

Product Width	13 mm[.512 in]
---------------	----------------

Product Length	40 mm[1.575 in]
----------------	-----------------

Product Height	16.5 mm[.65 in]
----------------	-----------------

### Usage Conditions

Environmental Ambient Temperature Class	-25 – 70 °C
---	-------------

Environmental Ambient Temperature (Max)	70 °C[158 °F]
---	---------------

### Packaging Features

Packaging Method	Box & Tube, Tube
------------------	------------------

### Other

Comment	Well suited for emergency shut-off,
---------	-------------------------------------



machine control, elevator and escalator control, light barrier control

### Product Compliance

[For compliance documentation, visit the product page on TE.com>](#)

EU RoHS Directive 2011/65/EU	Compliant
EU ELV Directive 2000/53/EC	Compliant
China RoHS 2 Directive MIIT Order No 32, 2016	No Restricted Materials Above Threshold
EU REACH Regulation (EC) No. 1907/2006	Current ECHA Candidate List: JUNE 2023 (235) Candidate List Declared Against: JUNE 2023 (235) Does not contain REACH SVHC
Halogen Content	Not Low Halogen - contains Br or Cl > 900 ppm.
Solder Process Capability	Wave solder capable to 260°C

#### Product Compliance Disclaimer

This information is provided based on reasonable inquiry of our suppliers and represents our current actual knowledge based on the information they provided. This information is subject to change. The part numbers that TE has identified as EU RoHS compliant have a maximum concentration of 0.1% by weight in homogenous materials for lead, hexavalent chromium, mercury, PBB, PBDE, DBP, BBP, DEHP, DIBP, and 0.01% for cadmium, or qualify for an exemption to these limits as defined in the Annexes of Directive 2011/65/EU (RoHS2). Finished electrical and electronic equipment products will be CE marked as required by Directive 2011/65/EU. Components may not be CE marked. Additionally, the part numbers that TE has identified as EU ELV compliant have a maximum concentration of 0.1% by weight in homogenous materials for lead, hexavalent chromium, and mercury, and 0.01% for cadmium, or qualify for an exemption to these limits as defined in the Annexes of Directive 2000/53/EC (ELV). Regarding the REACH Regulation, the information TE provides on SVHC in articles for this part number is based on the latest European Chemicals Agency (ECHA) 'Guidance on requirements for substances in articles' posted at this URL: <https://echa.europa.eu/guidance-documents/guidance-on-reach>

### Compatible Parts



Also in the Series | **SCHRACK SR4**



Power Relays(27)

## Customers Also Bought



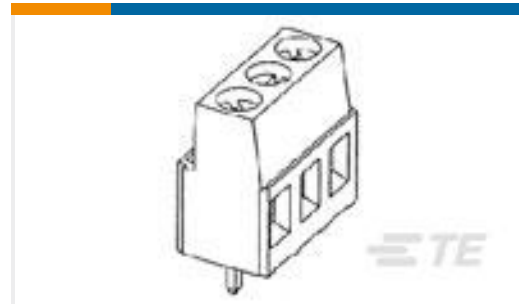
TE Part #1-1393258-5  
V23047-A1024-A501



TE Part #4-1415053-1  
SR4M4024



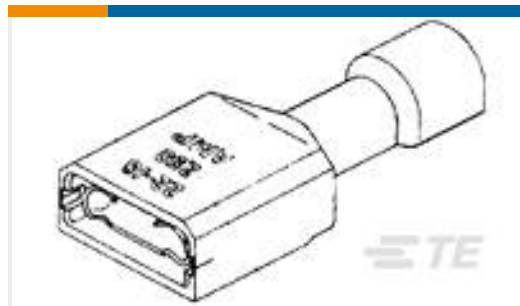
TE Part #1-1393240-4  
RT315024



TE Part #282857-2  
TERMI-BLOK PCB MOUNT 90 2P.5



TE Part #1-1393243-1  
RTE24048



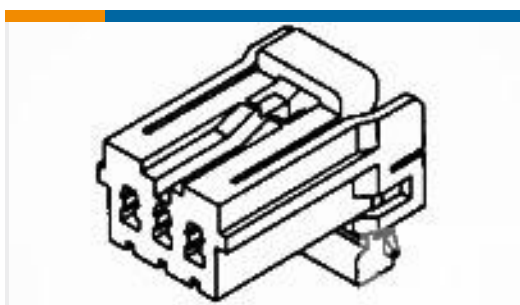
TE Part #3-350819-2  
ULTRA-FAST 250 ASY REC 16-14 AWG  
TPBR



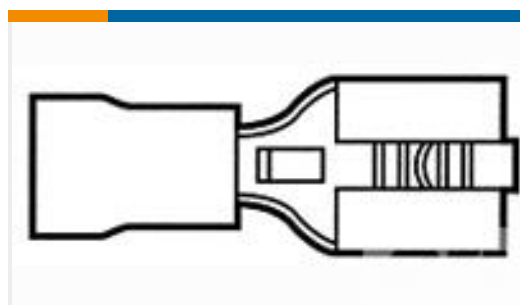
TE Part #2-1419106-6  
27E894=SOCKET,KH,14,SCW,POLY,N



TE Part #7-1393117-9  
KUP-14A15-24=KU



TE Part #1-174921-1  
070 MLC W-W PLUG HSG 3P F/A



TE Part #42844-1  
RECEPT,PIDG FASTON 14-12 250

## Documents

[CAD Files](#)

[3D PDF](#)

[3D](#)

[Customer View Model](#)

[ENG\\_CVM\\_CVM\\_6-1415054-1\\_G.2d\\_dxf.zip](#)

English

[Customer View Model](#)

[ENG\\_CVM\\_CVM\\_6-1415054-1\\_G.3d\\_igs.zip](#)



English

**Customer View Model**

[ENG\\_CVM\\_CVM\\_6-1415054-1\\_G.3d\\_stp.zip](#)

English

By downloading the CAD file I accept and agree to the [Terms and Conditions](#) of use.

---

**Datasheets & Catalog Pages**

[SR4\\_D/M](#)

English

---

**Product Specifications**

[Definitions General Purpose Relays](#)

English

---

**Agency Approvals**

[VDE Certificate](#)

English